



Numa Compact 2

Operation Manual  **E**

Manuale d'uso  **I**

Bedienungsanleitung  **D**

Mode d'emploi  **F**

Important safety instructions



Please read the entire manual. It contains all the informations you need to use this unit.

Please follow the instructions in the manual. The warranty will be void if unauthorized work is carried out on the Numa Compact 2. Only accessories that are specified by the manufacturer should be used with this unit.

Use the unit only as specified in this manual.



DANGER!

Risk of electric shock. Do not open the chassis. There are no user serviceable parts inside.

The unit should only be serviced by qualified service staff.



Humidity

To reduce the risk of fire or electric shock, do not expose the unit to rain or moisture. Never place containers with liquid on the unit. Do not use the unit near water, swimming pool, bathtub or wet basement. If the unit is moved from a cold place to a warm room, condensation may occur inside. To avoid damage please allow the unit to reach room temperature before switching on.



Installation

Always use a stable rack to place the keyboard on. Please be aware of its size and weight.

Cleaning / Maintenance

Never use any abrasive detergent, which may damage the surface. We recommend a slightly moist micro-fibre cloth.

Packaging

Please keep all packaging, and use it to protect the keyboard when transporting or if servicing is required.



Mains

Before connecting the unit to the main power supply, please check if the power supply is suitable for the Numa Compact 2 adapter. The unit can be powered with 100 – 240VAC, using the included power adapter.

Important Note: the Numa Compact 2 can be powered directly also by the USB port, if connected to the PC or other suitable USB power sources.

Numa Compact 2

Operation Manual



E

Safety instructions	2	
Your new Numa Compact 2	6	Product overview
	6	Key features
	7	Example of use
	7	Operation diagram
Power - Inputs and connections	10	Power connection
	10	USB power
	10	Expression / Universal pedals
	10	Audio output
	11	Headphones
	11	Volume
	11	USB
Panel - Display and navigation	12	Sound / MIDI
	13	Demo
	13	SPLIT
	13	Store - User programs
Sound banks and sound section	14	Sound mode
	15	Sounds
Effects	16	FX1- FX2
	17	FX Autoset
	17	Strings Resonance (Damper model)
Global edit	18	Transposer
	18	Global tuner
	18	Velocity curve
	18	Fixed curve
	18	Strings resonance (Damper effect)
	18	Headphones (mode)
	19	Pedal 2
	19	FX Autoset
	20	Factory reset
	20	Firmware version and update
	21	Programs send/receive
Program edit	22	Program name
	22	Split point
	22	Mixer
Part edit	23	Volume
	23	Split assign
	24	Transpose
	24	Octave
	24	Rev send
	24	Pedal 1 - Pedal 2
	24	Stick 1 - Stick 2
	25	Aftertouch

MIDI (Zone edit)	26	Program Change
	26	LSB - MSB
	26	MIDI channel
	27	Volume
	27	Split assign
	27	Transpose
	27	Octave
	27	Pedal 1 - Pedal 2
	27	Stick 1 - Stick 2
	28	Aftertouch
Declarations	29	
Appendix	118	Sound map
	119	MIDI Implementation chart
	120	Specifications
	120	Dimensions

Product overview

The Numa Compact 2 is an incredibly powerful musical instrument, packed in a stylish and slim cabinet, based on a totally new technology and updated user interface. The keyboard includes an Aftertouch control and together with the programmable Sticks, allows to have a total control of the musical performance. The new sound engine is capable of 128 notes of max polyphony and it includes two independent sections (Lower & Upper) with over 80 sounds, organized in 8 Sound Banks, assignable to any portion of the keyboard, in Layer or Split mode. The 1GB (flash memory) sounds are further enhanced by 2 effects post-processors (Fx1-Fx2) each one with a double internal architecture, for a total of 4 independent effects at once.

A controllable Strings Resonance and the Release-Staccato Samples make the main piano sounds even more real, while a new Stereo Reverb post-processor further enhances the sound. Bass, Treble and Mastering controls allow to reach a studio quality, also noticeable thru the built in digital amplifier and elliptical back-reflection speakers. The MIDI Module includes 2 independent MIDI zones and all parameters can be programmed and stored.

Key features

88 notes light weighted keyboard

Aftertouch

Stick 1: Pitch Bend function on both axis

Stick 2: Sound Modulation and FX1/2 control (assignable or auto-selection)

Built in 2x10W amplifier + 2 elliptical back reflection speakers

128x64 graphic Oled display

Direct control User Interface

Lower-Upper-Zone A-Zone B

4 programmable sections (internal SOUNDS and MIDI) in any combination

1 GB of flash memory, 88 sounds organized in 8 Sound Banks

Concert Grand piano sounds with release-staccato samples and Strings Resonance

FX1-2 double effects processors - 4 programmable effects at once

Stereo Reverb with separate Lower/Upper controllable send level

Strings Resonance (Damper model) on acoustic Piano sounds (programmable)

Global-Program-Part EDIT

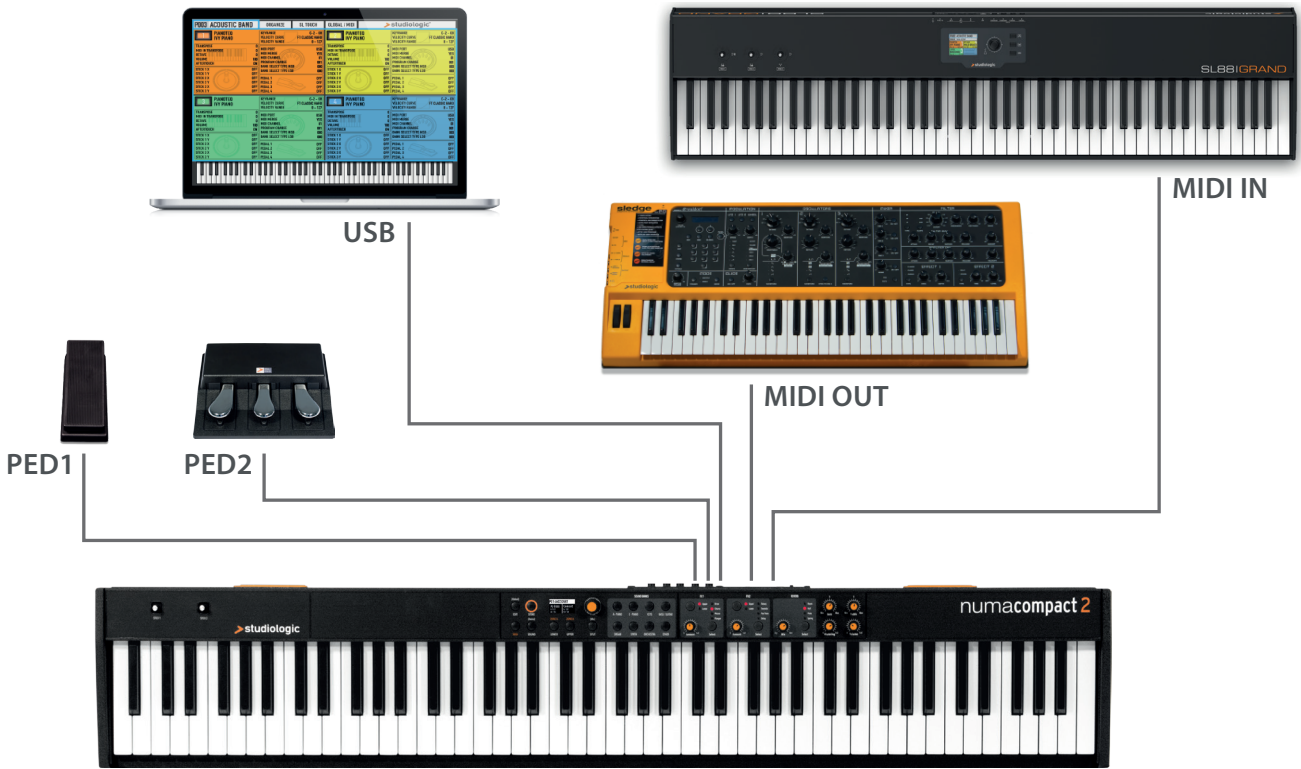
Bass, Treble, Mastering (3D+Compressor) post processing controls

MIDI module with 2 independent programmable Zones

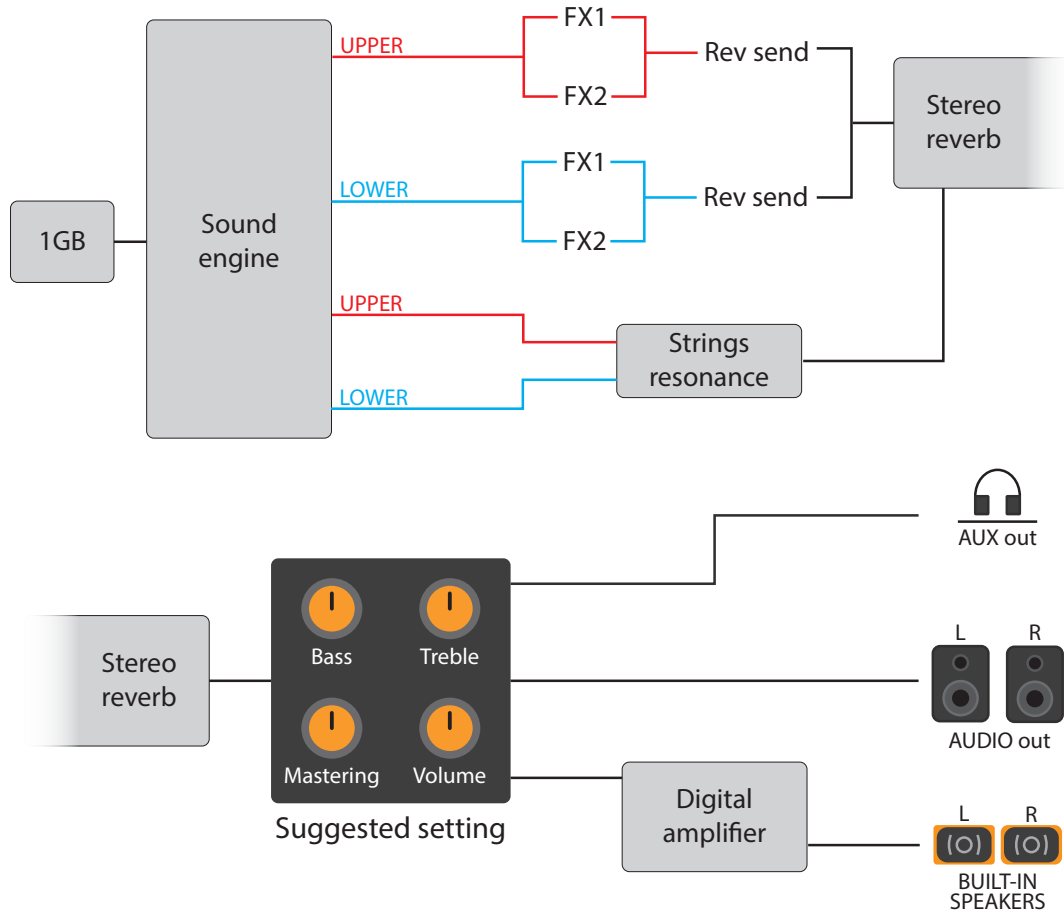
Connections: Usb, MIDI In/Out, Audio L/R, Headphones, Ped1-Ped2

USB power

Example of use



Operation diagram



An overview of the functions of the Numa Compact 2:

Light weighted action

The Numa Compact 2 offers the latest innovative technology by Fatar: the sophisticated weighted keyboard TP9-Piano with Aftertouch. The Numa Compact weighs just 7,1 kg and is therefore very portable, yet it offers a great keyboard touch, for which Fatar is famous.

**8 Sound Banks
88 Internal Sounds**

You can immediately start playing the 88 selected high quality sounds, which have been carefully sampled. Experienced keyboard players and musicians selected those sounds and were involved in the design of the straightforward operation of Numa Compact 2. Therefore Numa Compact 2 is your perfect partner on stage, in the studio or at home. 128 voices of max polyphony is available to add depth and expression. You can combine two sounds by assigning them to the Lower and Upper sections in Split or Layer mode.

**FX1 - FX2- REV
Strings Resonance**

The 2 double FX processors allow to assign 2 different effects to both Lower and Upper sections, in addition to a Strings Resonance effect on all piano sounds and a Stereo Reverb, for an endless variety of combinations of all kind.

**Mixer & Mastering
Built-in Amplification**

A Volume, Bass, Treble and Mastering controls allow to get the preferred sound setting and the internal monitor-amplification system with elliptical speakers allow you to play the instrument using the internal 10+10W amplification system, digitally controlled and equalized. For the best result a suggested setting is with all pots at halfway, to avoid any possible distortion and ensure a correct frequency response. Settings can be modified according to the selected sound.

Master keyboard functions

The master keyboard functions of the Numa Compact 2, with 2 programmable Zones, allow you to control other MIDI devices, select the sounds and adjust the levels directly from your Numa Compact 2.

Audio connections

As well as the stereo L/R audio output and built in amplification system, the Numa Compact 2 has an additional headphone plug, ideal for late-night jam sessions without disturbing the neighbours. This connection can also be used as an auxiliary audio output.

The integrated USB port allows your Numa Compact 2 to connect to your computer and be powered directly, without the need of the external adapter (included). You can use a USB and MIDI out for MIDI data transmission. In addition, updates of the firmware or the sound library are accessible via USB. Please note that the internal amplification system is automatically switched off when the instrument is powered by USB, to avoid excessive power consumption or power drops.

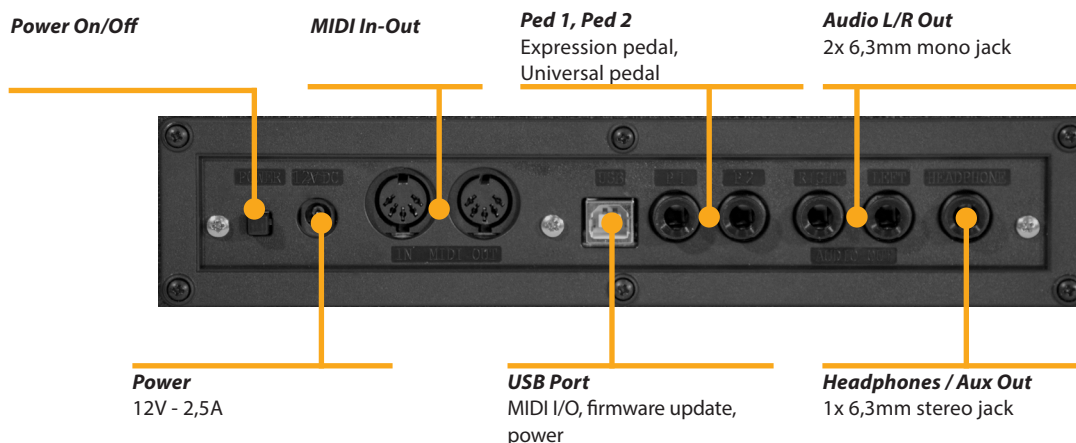
Numa Compact 2
Power Adapter
CD Manual

Interactive Numa

USB <> Computer

Delivery includes

Power - Inputs and connections



Power connection

Use the power adapter supplied with the device to connect the Numa Compact 2 to the power socket (or use the USB connection). Switch the unit on by using the power button next to the power plug of the Numa Compact 2, set the main Volume, Bass and Treble controls to the half position and the Mastering control to zero-minimum (the function will be explained later on this manual) to avoid excessive output power and allow the internal speakers to play with a correct dynamic range.

USB power



The instrument can also be powered by USB, using a shielded quality certified cable and providing that the computer has enough power and not too many devices are powered through the same USB port.

When the instrument is USB powered, in most cases the internal amplification system is disconnected if the power consumption exceeds the computer's range.

PLEASE NOTE: in case of weak or unstable connection, use the traditional power (see previous paragraph).

Expression / Universal pedals

Connect the (optional) pedal or pedals to the related sockets, labelled Ped1 and Ped2; at the socket labelled Ped 1 you can plug in the Studiologic VP pedal, typically for volume-expression controls. To the Ped2 socket you can plug either a single switch pedal, a volume-expression pedal or the custom triple pedal SLP3-D, as explained in the related chapter.

Audio output

If you want to use external amplification systems, or record the instruments sounds, connect the Left and Right audio outputs to the inputs of your mixing desk or amplifier, or to your computer audio board inputs, using suitable cables.

The Headphones output can be used with an headphones set or as an extra audio auxiliary output, according to the setting of the related GLOBAL edit function (explained in this manual). As an auxiliary audio out, you can use this plug to connect the instrument to a subwoofer or an additional amplification system, while the L/R outputs are still available for recording or other audio connections.

Headphones

When you use the Numa Compact 2 for the first time, we recommend you to turn the Volume knob on the Output section to not more than half way between 0 and Full. While you are playing you can adjust the volume according to the selected sounds. Adjusting the Volume knob will effect all audio and headphone outputs at the same time.

Volume

CAUTION:

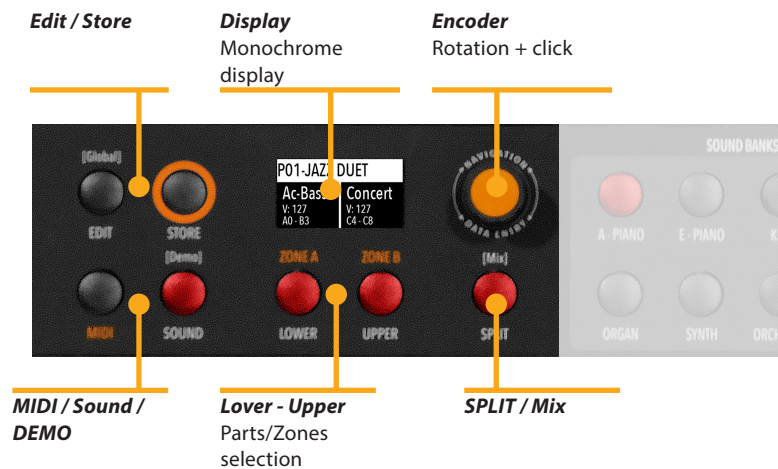
To prevent hearing damage, you should – as with all audio devices – avoid using the Numa Compact 2 at high volume for long periods.



For data transmission via USB, connect the Numa Compact 2 to your computer with a USB cable. The first time you switch the Numa Compact 2 on, it will be recognised by your computer automatically and the appropriate driver will be installed by the OS (cross compliant).

USB

Panel - Display and navigation



The main HOME display of the Numa Compact 2 is the one shown at power on and it's divided in 3 main areas: the top area shows the current Program number and name, the left and right lower areas are related to the Lower and Upper Sound sections, in SOUND mode, and to the Zone A and Zone B sections, in MIDI Mode.

To navigate and move the focus (intended as the cursor position on the display) you can use three controls at your choice:

- Clicking on the Encoder: the focus will move to the 3 main positions: Programs, Lower, Upper.
- Pressing the Sound or MIDI buttons, the focus (cursor position) will be moved on top.
- Pressing Lower or Upper, the focus (cursor position) will be set to the related areas.



When the focus is on the Program area, rotating the Encoder you will select the various Programs. When the focus is on the Lower/Upper areas, rotating the Encoder you will control the related volumes.

Sound / MIDI

The two buttons marked SOUND and MIDI will toggle between the two related views and controls.

When the SOUND button is selected and lighted, the user can control the SOUND sections and selections, all related display, settings, edit pages and parameter settings.

When the MIDI button is selected and lighted, the display will show the status of the MIDI Zones A and B and the user can access to all available parameters, edit functions and values.

The SOUND button can also be pressed for a longer time, to enable the eight DEMO songs (one for each sound BANK) to start playing in sequence; clicking on a SOUND BANK you can also select the related demo; at the end of it, the next demo song will start for the other BANKS, in a continuous cycling loop.

This button is a real time control of the SPLIT function, that is edited and controlled in all details by the GLOBAL EDIT function (Split Point) and PART EDIT function (Split Assign). This is a fast way to immediately enable and disable the SPLIT and play the UPPER and LOWER parts all over the keyboard, in layer mode without split.

As explained in the EDIT sections, the SPLIT button can also be used as a short cut to select the MIXER page, by keeping it pressed for a few seconds.

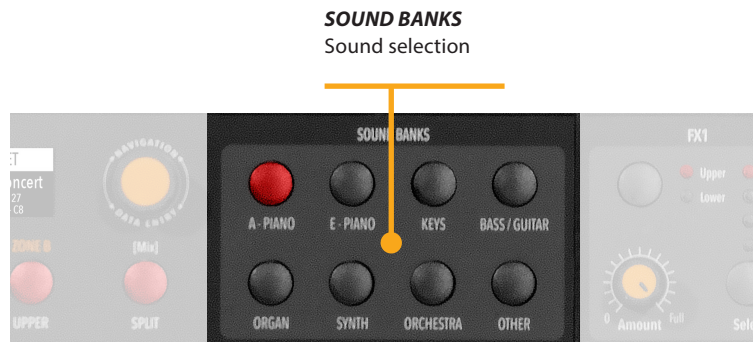
The Numa Compact 2 has 99 user's programmable memories called Programs, where you can store all SOUND, FX1/2 controls, amounts, functions, split points and all editable parameters also related to the MIDI ZONES, with a programmable NAME for each Program. The only non-storable functions are the VOLUME, BASS, TREBLE and MASTERING, since they are pure real-time controls, not related to a particular Program. All Programs can be sent and received via USB, as explained in the related paragraph of this manual, in the GLOBAL EDIT section.

Demo

SPLIT

STORE / User Programs

Sound banks and sound section



Sound mode

In SOUND mode, with the related button selected and lighted, the 8 Sound banks can select the internal sounds, organized according to the Sound Bank names. Each Bank can have a variable number of sounds, organized in pages of 4 sounds for each one. Selecting a Bank, you will see on the display the sounds of that Bank, the current Sound Bank and total pages of sounds of the Bank (shown on the top right area of the display) and the selected sound, in reverse color.

To select another sound of the current Bank, rotate the encoder and all available sounds will be shown and selected in sequence, from the first to the last page of the Bank. The selection can be done during a temporary window (approx 5 seconds) and the last selected sound will be automatically memorized for each Bank. When you select a Bank, the focus will automatically go to the last selected Sound, to make the sound selection easier and faster. Thanks to this function, you will have an automatic setting of your preferred sounds for each Bank.



Sounds

The factory list of SOUNDS is listed below; please note that specifications are subject to change and the Sound list could be slightly modified or updated in different or future firmware versions.

A.PIANO

Concert
Stage
Vintage
Studio
Rock
Upright
E-Grand1
E-Grand2

E.PIANO

EP-Mark1
Wurlix
E-Pno1
E.Pno2
DxFm1
DxFm2
DxFm3
DxFm4

KEYS

Clavi
Harpsi
Vibes
Marimba
FunKlav
Cembalo
ReedOrg
GloKeys

BASS/GUITAR

Ac-Bass
El-Bass
Slap
Plucked
Ny-Guitar
El-Guitar
Ac-Guitar
Jz-Guitar
2 Guitars
12 Strings
BassRide1
BassRide2

ORGANS

JazzOrg1
JazzOrg2
DrawbVib
AllDrawb
888-Pure
888-Scan
MildSet
AllEven
V-Org
F-Org
Pipe1
Pipe2

SYNTH

SynthPad
SynHouse
SweetSaw
WowPad
Soloist
Funky
SynBass1
SynBass2
Jump
SynBrass
Square
Cluster

ORCHESTRA

Strings1
Strings2
Horns
Brass
Baroque
BigBand
BrassFall
SaxBand
TenorSax
JazzFlute
Trumpet
Oboe

OTHER

Cassotto
Accordion
Musette
Harmonica
ChoirAh
ChoirOh
ChoirUh
ChoirSint
Bouzouki
Kanoun
Oud
Cawala
Mizmar
Nai
StdKit
WorldKit

Effects



FX1 - FX2

The 2 double effects processors allow to assign 2 separate effects to the Lower and Upper sections, for a total of 4 different effects at once. As an example, the FX1 can be set to Drive for the Upper section and, at the same time, to Chorus for the Lower section. Using the Upper/Lower button, you can toggle between the related parts and show or select the effect for that part. In addition, you will see or change the associated FX using the 2 main LOWER and UPPER buttons below the display.

You can visualize the Sound and FX structure and signal flow as it follows:

Upper > FX1 (one of the four) > FX2 (one of the four) > Reverb (programmable send in Edit)

Lower > FX1 (one of the four) > FX2 (one of the four) > Reverb (programmable send in Edit)

Amount: the 2 potentiometers control the Amount of the selected effect, like the dry/wet ratio (for modulating effects like the Chorus) or other parameters, like the distortion level of the DRIVE effects.

The FX Autoset function (a real-time function also explained in the GLOBAL Edit section) automatically memorizes the last selected FX 1-2 for each Sound, without the need of storing a dedicated Program.

This real-time function will also control the association between the Stick2 and the Sound or FX controls (modulation or effect speed etc) in a logic and automatic way. When a particular FX is selected on a section, the Stick 2 will control a particular parameter, like the Slow/Fast speed of the Rotary or the Speed and Feedback of the Phaser.

The control will also be automatically set according to the focus position: if you have a Lower part without FX and the focus on Lower, the Stick 2 will control the Modulation; if the focus is on Upper and you have an Organ sound with Rotary, the Stick 2 will control the Rotary Slow/Fast speed.

If the FX Autoset function is set to off (see the GLOBAL Edit section) the function of the Stick 2 will be under Part EDIT, with not automatic assignments, and you can store all settings in each Program.

With the FX Autoset off, the automatic association between each sound and the last selected FX will be disabled and the FX selection will be only manual or controlled by the FX setting stored in each of the 99 Program.

In addition to the powerful FX1-2 double effect processors, the Numa Compact 2 also has a built in STRINGS RESONANCE post-processing effect, dedicated to the ACOUSTIC PIANOS sound bank and controlled by the related parameter of the GLOBAL EDIT. This effect, created using the experience of the Numa STAGE and CONCERT renowned Studiologic instruments, adds an even more realistic effect to the piano sounds, reproducing the resonances of the real strings and sound boards of the acoustic instrument.

FX Autoset

STRINGS RESONANCE (Damper model)

Global edit

To enable the GLOBAL edit, keep pressed the EDIT button for a few seconds; you will find various pages (shown on the top right area of the display) with functions that will affect the instrument, regardless what Program is selected. To escape from the function, press again the EDIT button and all settings will be memorized automatically.

When the focus (cursor) is on the top area of the display, rotating the encoder you can select the various pages; clicking on the cursor, the focus will be moved on the parameter and rotating the encoder you can change the related value.

The GLOBAL EDIT main functions are:

TRANSPOSER



You can transpose the instrument to any other key; click on the encoder to move the cursor on the value and rotate it to input the desired transposition range.

GLOBAL TUNER



This function allows to “tune” the instrument, in case you have to play along with another instrument that is not tuned to the standard (A=440 Hz).

VELOCITY CURVE



You can select a different velocity curve, according to your taste and playing technique. There are 3 factory curves (SOFT/NORMAL/HARD) and a programmable FIXED velocity setting, with the related value.

FIXED CURVE



You can set here the fixed velocity value (from 1 to 127) when the FIXED velocity is selected.

STRINGS RESONANCE (DAMPER EFFECT)



Here you can control the amount of the STRINGS RESONANCE post-processing, that adds a more realistic effect to all acoustic PIANO sounds. Please note that the CONCERT GRAND sound also has a separate “release and resonance” built in natural effect, not controlled by this parameter.

HEADPHONES (MODE)



When the parameter is set to AUTO ON, plugging the headphones will automatically switch off the internal amplification system.

If the parameter is set to AUTO OFF, the internal amplification system will be active also when a jack is inserted in the Headphones plug; this will allow to use the headphones out as an extra auxiliary output, for recording or to connect it to an active-amplified subwoofer, in addition to the internal speakers.

While the PED1 is always suitable for expression-volume pedals, the PED2 can be programmed to connect almost all possible pedals, as it follows:

- SINGLE SWITCH normally open;
- SINGLE SWITCH normally closed;
- EXPRESSION (volume function, pedals with potentiometer and stereo plug);
- SLP3-D – Triple pedal with Soft/Sostenuto/Sustain function with half-damper control.

When the function is set to AUTO ON, the following automatic functions are enabled:

The last selected effects (FX1-2) for each sound are memorized by the instrument, allowing to select a sound and the related preferred effect, with no need of storing the combination in a Program. The FX Autoset not only will memorize and recall the effects associated by the user for each sound, but also the value of the parameters controlled by the Stick 2 for each effect.

The STICK 2 control will be automatically assigned to a function, according to the setting and the position of the FOCUS / cursor.

If the focus is on UPPER (as an example) and you have selected an Organ sound with the ROTARY effect, the STICK2 will control the Rotary SLOW/FAST speed.

If you move the focus on LOWER (by clicking on the encoder or pressing the LOWER button) and you have another FX on Lower, the STICK2 will control the LOWER effect.

If you don't have any FX on a section (LOWER or UPPER) and you move the focus on it, the STICK 2 will control the MODULATION on the selected section.

As a typical example, imagine to have an ORGAN on UPPER with Rotary and a BASS on LOWER with no effects: moving the cursor on UPPER, the Stick 2 will control the Rotary Speed; moving the focus on LOWER; the STICK2 will control the Modulation.

Note: this automatic function is an arbitrary selection done by the instrument, based on a statistic playing situation; if you want to control all parameters directly and manually, you can set the function to OFF and select the function of the STICK 2 in the related PART EDIT; storing the desired setting in a PROGRAM.

PEDAL 2



FX AUTOSSET



FACTORY RESET



This function allows to make a complete Factory Reset, that will cancel all user settings and reset all factory parameters to the original status. Please note that this could make you lose custom settings or programming and the function should be done very carefully. To protect the user from unwanted reset, a caution YES/NO message appears when trying to reset the unit, allowing to confirm or not the factory restore.

FIRMWARE VERSION AND UPDATE



To update the Firmware (upload) follow these steps:

- Download the firmware from www.studiologic-music.com and save it in a known folder;
- Connect the instrument to the power and then to your computer with the USB cable;
- Verify that is seen by your computer and selected as MIDI Out device, in the related settings;
- Turn on the instrument while keeping pressed the A0 (first white key on the left) and D1 (fourth white key from the left); the display will show the message "Firmware Upload";
- Open any program able to "play" a midifile (i.e. [MIDI-Ox](#) for PC, [QMidi](#) for Mac etc);

MIDI-Ox:

- Open MIDI-Ox
- In the menu bar, choose Actions > Play MIDI... , MIDI Bar will be opened;
- In the MIDI BAR windows, click on "Select MCI Port" button and select Numa Compact 2;
- In MIDI BAR open the file you have downloaded;
- Press the play button and wait for the end of the procedure;
- When the Numa Compact 2 display shows "UPLOAD FINISHED", restart the instrument (off and on).

QMidi:

- Open QMidi;
- Select the firmware file you have downloaded;
- In the menu bar choose QMidi > Audio/MIDI settings and select Numa Compact 2 as output device;
- In the main window press the play button and wait for the complete procedure;
- When the Numa Compact 2 display shows "UPLOAD FINISHED", restart the instrument (off and on).

This function allows to send or receive all Programs to your computer (PC or Mac). Once the function is selected, rotating the encoder you can select SEND or RECEIVE, with the following procedures.

WINDOWS

You can use a program like MIDI-Ox as it follows (be sure that the Numa Compact 2 is seen by the computer USB/MIDI ports and MIDI-Ox settings).

To send data to your computer:

- Connect the Numa Compact 2 to your computer via USB;
- Open MIDI-Ox and choose View/Sysex;
- In the Sysex window, choose Sysex > Receive manual dump;
- Click on the encoder when the GLOBAL function SEND is active, confirm YES and wait till is done;
- In the MIDI-Ox Display Window, save the Bulk data in a file;
- When the dump is completed, choose Display Window > Save as... ;
- Save with the name you prefer;

To receive the data back to your instrument:

- In the PROGRAMS SEND/RECEIVE window select RECEIVE
- Open MIDI-Ox, in the Sysex window, choose Command > Window > Load File and navigate the location where you stored the file.
- Choose Command Window > Send Sysex and wait till done.

MAC OS

You can use a program like SysEx Librarian as it follows (be sure that the Numa Compact 2 is seen by the computer USB/MIDI ports and SysEx Librarian settings).

To send data to your computer:

- Open SysEx Librarian;
- In the toolbar, select "Numa Compact 2" as device;
- Click "Record many" button on SysEx Librarian;
- Click on the encoder when the GLOBAL function SEND is active, confirm YES and wait till is done;
- When the transmission is done, press the Done button in SysEx Librarian.

To receive the data back to your instrument:

- In the PROGRAMS SEND/RECEIVE window select RECEIVE
- In SysEx Librarian's toolbar, there's a pop-up menu named Destination. Click it and choose the MIDI port that you want to send to.
- In SysEx Librarian select the right file from the list of Sysex files and press "Play" button to transfer it.

PROGRAMS SEND / RECEIVE



Program edit

If the focus (cursor) is on the upper part of the display on Programs selection, pressing the EDIT button will enable the Program Edit, with the following parameter and settings.



PROGRAM NAME



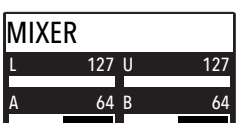
After having selected this function, click on the encoder and input the letters of number rotating it; a small triangle will show what digit you are editing. To confirm the new name or keep the previous, press STORE and a popup window will ask you to confirm the change or not, rotating the encoder to YES or NO and confirm by clicking.

SPLIT POINT



This function allows to select the SPLIT point for each PROGRAM, by rotating the encoder till the desired note is shown. Please note that, as per international standard, the instrument keyboard is named from A0 (first key on the left) to C8 (last key on the right) and consequently the middle C below the display is C4. The reference pitch of A=440 Hz is on A4, the A of the same octave of C4 (below the sound banks) for all sounds that are based on the standard 8' of the piano range. Only some ORGAN sounds will play one octave below, if based on a 16' pitch drawbar of the vintage tone wheel organs or the related Pipe Organs 16' classic organ stops; in these cases the fundamental of the selected sound on A4 will be 220 Hz (one octave below 440 Hz).

MIXER



The Mixer allows to control all four parts and zones (LOWER/UPPER/ZONEA/ZONEB) at once, in a single organized page. This function can also be accessed with a shortcut, keeping pressed the SPLIT button also marked MIXER with brackets.

Part edit

If the focus is on one of the parts and you are in SOUND mode (with the SOUND button selected and lighted) you will enter in the PART edit mode. When you have selected PART edit you can always press the LOWER or UPPER buttons to select the part to be edited, or click on the encoder.



The PART EDIT includes the following parameters:

Rotating the encoder, after having moved the focus on the parameter by clicking on it, you can control the selected part Volume, in a range from 0 to 127.

VOLUME

PART EDIT [1/10]	
VOLUME	VOLUME
127	127

Once you have selected the SPLIT point for the current PROGRAM (ref: PROGRAM EDIT) you can decide where the selected LOWER or UPPER section (either for the SOUND and MIDI zones) should play, in a totally independent way as it follows:

SPLIT ASSIGN

PART EDIT [2/10]	
SPLIT ASSIGN	SPLIT ASSIGN
TO LEFT	TO RIGHT

TO LEFT: the part will play to the left section of the keyboard (from A0 to the SPLIT note);

TO RIGHT: the part will play to the right section of the keyboard (from the SPLIT note to C8);

TO ALL: the part will play with no split all over the keyboard.

This function will allow many musical combinations, such as the few following examples and their opposite settings:

PIANO on the right + BASS on the left, of the split point;

PIANO and STRINGS on the right + MIDI ZONES on the left (controlling external devices);

ORGAN on the entire keyboard (TO ALL) and CHOIR on the right part only.

Even with one SPLIT point (programmable for each PROGRAM) the possible settings are almost one hundred, considering the status and combinations of LOWER+UPPER+ZONEA+ZONEB and the SPLIT settings made possible by this function.

TRANSCOPE

PART EDIT [3/10]	
TRANSCOPE	TRANSCOPE
0	0

This function allows to transpose a part; differently from the GLOBAL TRANSPOSER, that will effects the entire instrument, this function can be set independently for each SOUND section or MIDI zone and stored in each PROGRAM, with different values. Interesting combinations are obtained by transposing a sound with musical intervals, like a lower quint = minus 5 semitones, to get what is commonly known as a "cluster" with fixed intervals. Try to select a TRUMPET on UPPER and a SAX on LOWER, setting the SAX 5 semitones lower, in a typical JAZZ setting.

OCTAVE

PART EDIT [4/10]	
OCTAVE	OCTAVE
0	0

You can set the octave (intervals of 12 semitones each) separately for each part; normally you will need to move a LOWER part one or two octave up, if you want to play chords in a better range. On the other way, sometimes you can get a better sound, when the SPLIT is activated, if you move the UPPER part one or two octaves down, as you could prefer if you select a TENOR sax in combination with a splitted BASS sound on the left, since the Sax lower and nicer notes could probably be on the left of the splitted keyboard portion. Simply experiment the setting you prefer and then store it in the current PROGRAM.

REV SEND

PART EDIT [5/10]	
REV SEND	REV SEND
64	64

The function allows to control the amount of signal to be sent to the REVERB processor, independently for the LOWER and UPPER parts and programmable with different settings for each PROGRAM. As a typical setting, if you SPLIT the keyboard and assign a BASS sound to the left, you might want to reduce or minimize the amount of REVERB on the left part, or control the setting also on the UPPER part to get the desired effect. The MIX potentiometer, on the front panel, will change the overall reverberation mix (Dry/Wet) with any reverb type selected or send value.

PEDAL 1 - PEDAL 2

PART EDIT [6/10]	
PEDAL 1	PEDAL 1
ON	ON

Here you can decide if the pedals are enabled or not for each section (UPPER/LOWER or ZONE A and ZONE B if the MIDI button is activated).

STICK 1 - STICK 2

PART EDIT [8/10]	
STICK 1	STICK 1
ON	ON

As for the pedals, also the Sticks can be enabled separately for the Parts and Zones; please note that the Stick 2 will be set automatically to AUTO if the related FX-AUTOSET function is set to ON in the GLOBAL EDIT area. To control the Stick 2 assignment manually, you can set to OFF the FX-AUTOSET and the function can be switched ON or OFF and stored in the Programs.

This parameter enables or disables the aftertouch function on the selected Part or Zone; the function of the Aftertouch will be in most cases similar-same of the Stick 2 modulation control, adding some kind of vibrato or similar modulation to the sound, according to the setting. Normally you will set the Aftertouch ON for the UPPER part, that is commonly used for the main musical part or solo performances, while the LOWER part is normally associated to accompaniments or bass lines, if the SPLIT is active.

AFTERTOUCH

PART EDIT [10/10]	
A.TOUCH	A.TOUCH
ON	ON

MIDI

The Numa Compact 2 allows to control 2 separate MIDI Zones, with all related parameters; the result can be stored in the current PROGRAM, together with the settings of the internal LOWER and UPPER sections, with a common SPLIT point and separate settings. Step through the functions with the MIDI button selected and EDIT button activated: the value of the actual function will be shown on the display and can be adjusted rotating the Encoder. Rotating the Encoder when the MIDI button is lighted, will allow you to directly change the selected MIDI Zone volume.

Program edit

The PROGRAM EDIT, explained in the related chapter, is common for SOUND and MIDI; it refers to general parameters associated to both the SOUND and MIDI sections. With the following ZONE EDIT chapters you can set the specific MIDI Zone parameters according to your choices and STORE them in the same Program, under the same name and number, with all the other parameters set for the internal SOUNDS.

Zone edit

If the focus is on one of the zones and you are in MIDI mode (with the MIDI button selected and lighted) you will enter in the ZONE edit mode; when you have selected ZONE edit you can always press the ZONE A or ZONE B buttons to select the zone to be edited, or click on the encoder to move the cursor/focus as for all other instrument's functions.



The ZONE EDIT includes the following parameters:

PROGRAM CHANGE

ZONE EDIT [1/13]	
PRG CHG	PRG CHG
0	0

Here you can input the Program Change number of the controlled device or sound generator, referring to the specific Sound Map of the connected device/vst/sound generator. The value range is 1-127.

LSB - MSB

ZONE EDIT [2/13]	
BANK LSB	BANK LSB
0	0

LSB stands for Least significant Byte, MSB stands for Most significant byte and they allow to control and select more banks of the standard 127 Program Changes or many other functions, defined by the MIDI standards; to input the correct numbers, you have to refer to the implementation chart of the controlled device, where each Sound is defined with the MIDI data to select and control it.

MIDI CHANNEL

ZONE EDIT [4/13]	
MIDI CH	MIDI CH
2	1

You can select the MIDI channel (value 1-16) for each Zone, to control 2 different external devices or sound generators.

Rotating the encoder, after having moved the focus on the parameter by clicking on it, you can control the selected part Volume, in a range from 0 to 127; the Zone volumes can be controlled directly also not in EDIT mode, when the MIDI button is lighted and the cursor-focus is on one of the Zones.

Once you have selected the SPLIT point for the current PROGRAM (ref: PROGRAM EDIT) you can decide where the selected ZONE should play, in a totally independent way as it follows:

TO LEFT: the zone will play to the left section of the keyboard (from A0 to the SPLIT note);

TO RIGHT: the zone will play to the right section of the keyboard (from the SPLIT note to C8);

TO ALL: the zone will play with no split all over the keyboard.

Even with one common SPLIT point (programmable for each PROGRAM) the possible settings are almost one hundred, considering the status and combinations of LOWER+UPPER+ZONEA+ZONEB and the SPLIT settings made possible by this function.

This function allows to transpose a Zone; differently from the GLOBAL TRANSPOSER, that will effect the entire instrument, this function can be set independently for each MIDI zone and stored in each PROGRAM, with different values.

You can set the octave (intervals of 12 semitones each) separately for each Zone; normally you will need to move a zone one or two octave up, to the LEFT Zone of a split keyboard, to play chords in a better range. On the other way, sometimes you can get a better sound if you move the UPPER zone one or two octaves down; simply experiment the setting you prefer and then store it in the current PROGRAM.

Here you can decide if the pedals are enabled or not for each Zone independently, according to where the cursor-focus is set (on ZONE A or ZONE B).

As for the pedals, also the Sticks can be enabled separately for the Zones; please note that the Stick 2 will be set automatically to AUTO if the related FX-AUTOSET function is set to ON in the GLOBAL EDIT area. To control the Stick 2 assignment manually, you can set to OFF the FX-AUTOSET and the function can be switched ON or OFF and stored in the Programs.

VOLUME

ZONE EDIT [5/13]	
VOLUME	VOLUME
64	64

SPLIT ASSIGN

ZONE EDIT [6/13]	
SPLIT ASSIGN	SPLIT ASSIGN
TO LEFT	TO RIGHT

TRANSPOSE

ZONE EDIT [7/13]	
TRANSPOSE	TRANSPOSE
0	0

OCTAVE

ZONE EDIT [8/13]	
OCTAVE	OCTAVE
0	0

PEDAL 1 - PEDAL 2

ZONE EDIT [9/13]	
PEDAL 1	PEDAL 1
ON	ON

STICK 1 - STICK 2

ZONE EDIT [11/13]	
STICK 1	STICK 1
ON	ON

AFTERTOUCH

ZONE EDIT [13/13]	
A.TOUCH ON	A.TOUCH ON

This parameter enables or disables the aftertouch function on the selected Zone; the function of the Aftertouch will be in most cases similar-same of the Stick 2 modulation control, adding some kind of vibrato or similar modulation to the sound, according to the setting. Normally you will set the Aftertouch ON for the UPPER zone, that is commonly used for the main musical zone or solo performances, while the LOWER zone is normally associated to accompaniments or bass lines, if the SPLIT is active, however the setting is totally under your control and choice.

Every product from Studiologic by Fatar has been carefully manufactured, calibrated and tested, and carries a warranty. Damage caused by incorrect transport, mounting or handling is not covered by this warranty. Compensation amounting to more than the price of the device is excluded. For any further informations please refer exclusively to your dealer and/or local distributor. This is based on general terms and condition of the local distributor / FATAR srl, Italy.

FATAR srl
 Zona Ind.le Squartabue
 62019 Recanati MC Italy
 declares that this product complies with the European Directives:
 2004/108//EC EMC Directive
 DIN EN 55013 EMC radio disturbance of sound, TV and
 associated equipment
 DIN EN 55020 EMC immunity of sound, TV and
 associated equipment

Recanati, 17. 01. 2017 Marco Ragni, Chief Executive Officer

This declaration becomes invalid if the device is modified without approval.

This product is manufactured according to the 2002/95/EC directive.

The purpose of this EC Directive 2003/108/EC is, as a first priority, the prevention of waste electrical and electronic equipment (WEEE), and in addition, the reuse, recycling and other forms of recovery of such wastes so as to reduce the disposal of waste. Please help to keep our environment clean.

To ensure maximum quality all Studiologic by Fatar devices are always engineered to be state-of-the-art products, therefore updates, modifications and improvements are made without prior notice. Technical specification and product appearance may vary from this manual.

All trademarks used in this manual belong to their respective owners.

No part of this manual may be reproduced or transmitted in any form or by any means without prior consent of the copyright owner:

FATAR Srl
 Zona Ind.le Squartabue
 62019 Recanati, Italy

Warranty

CE-Conformity



RoHS-Conformity



Disposal / WEEE



State of the art

Trademarks

Copyright

Importanti informazioni di sicurezza



Si prega di leggere l'intero manuale. Esso contiene tutte le informazioni di cui si ha bisogno per usare questa unità.

Si prega di seguire le istruzioni riportate nel manuale. La garanzia sarà annullata se operazioni non autorizzate verranno svolte sulla Numa Compact 2. Solo gli accessori specificati dal fabbricante devono essere utilizzati con questa unità. Utilizzare l'unità solo come specificato in questo manuale.



PERICOLO!

Rischio di scosse elettriche. Non aprire l'unità. Non ci sono parti riparabili dall'utente. L'unità deve essere riparata solo dal personale di assistenza tecnica.



Umidità

Al fine di ridurre rischi di incendio o di scossa elettrica, non esporre lo strumento alla pioggia o all'umidità. Non lasciare mai contenitori con liquidi sullo strumento. Non usare lo strumento vicino all'acqua, piscina, vasca, posti bagnati. Se lo strumento viene spostato da un posto freddo ad una stanza calda, si potrebbe formare della condensa all'interno. Per evitare danni, attendere che lo strumento raggiunga la temperatura della stanza prima di accenderlo.



Installazione

Usa sempre un supporto stabile dove posizionare la tastiera, facendo attenzione al suo peso e alle sue dimensioni.

Pulizia / Manutenzione

Non usare mai detersivi abrasivi che potrebbero danneggiare la superficie. Raccomandiamo l'uso di un panno in microfibra, leggermente umido.

Imballo

Conserva tutti gli elementi dell'imballo ed usali se devi trasportare lo strumento al centro di assistenza.



Informazioni principali

Prima di connettere lo strumento all'alimentazione di rete, verificare che questa sia adeguata all'alimentatore del Numa Compact 2. L'unità può essere alimentata a 100 - 240V con l'adattatore fornito.

Nota: il Numa Compact 2 può essere alimentato direttamente dalla presa USB se connesso ad un PC o ad una alimentazione compatibile.

Numa Compact 2

Manuale d'uso



Informazioni di sicurezza	30	
Il tuo nuovo Numa Compact 2	34	Panoramica del prodotto
	34	Caratteristiche principali
	35	Esempio d'uso
	35	Schema di funzionamento
Alimentazione - Ingressi e connessioni	38	Connessione alimentazione
	38	Alimentazione USB
	38	Pedali Universali / Espressione
	38	Uscita audio
	39	Cuffie
	39	Volume
	39	USB
Pannello - Display e navigazione	40	Sound / MIDI
	41	Demo
	41	Split
	41	Store - User programs
Banchi suoni e sezione suoni	42	Modalità Sound
	43	Suoni
Effetti	44	FX1- FX2
	45	FX Autoset
	45	String Resonance (Damper model)
Global edit	46	Transposer
	46	Global tuner
	46	Velocity curve
	46	Fixed curve
	46	String resonance (Damper effect)
	46	Headphones (mode)
	47	Pedal 2
	47	FX Autoset
	48	Factory reset
	48	Firmware version and update
	49	Programs send/receive
Program edit	50	Program name
	50	Split point
	50	Mixer
Part edit	51	Volume
	51	Split assign
	52	Transpose
	52	Octave
	52	Rev send
	52	Pedal 1 - Pedal 2
	52	Stick 1 - Stick 2
	53	Aftertouch

MIDI (Zone edit)	54	Program Change
	54	LSB - MSB
	54	MIDI channel
	55	Volume
	55	Split assign
	55	Transpose
	55	Octave
	55	Pedal 1 - Pedal 2
	55	Stick 1 - Stick 2
	56	Aftertouch
Dichiarazioni	57	
Appendix	118	Sound map
	119	MIDI Implementation chart
	120	Specifiche
	120	Dimensioni

Panoramica del prodotto

Il Numa Compact 2 è uno strumento musicale incredibilmente potente, racchiuso in un cabinet elegante e leggero, basato su una tecnologia totalmente nuova e un'interfaccia utente aggiornata. La tastiera include il controllo „After Touch“ e, unitamente agli Sticks programmabili, consente di avere un controllo totale della performance musicale. Il nuovo motore sonoro è in grado di gestire 128 note di polifonia e comprende due sezioni indipendenti (Lower e Upper) con più di 80 suoni, organizzati in 8 banchi, assegnabili in qualsiasi zona della tastiera in modalità Layer o Split. La memoria flash di 1 GB di suoni è supportata da due processori di effetti (Fx1 e Fx2) ognuno dei quali a doppia architettura interna per un totale di 4 effetti indipendenti simultanei.

L'effetto di Risonanza delle Corde controllabile e i campioni al Rilascio-Staccato rendono il suono del piano principale molto realistico, mentre il processore di riverbero stereofonico ne migliora ulteriormente il suono. I controlli dei Bassi, degli Acuti e del Mastering consentono di ottenere una qualità da Studio, percepibile anche attraverso gli amplificatori digitali e i diffusori ellittici integrati. Il Modulo Midi include 2 zone Midi indipendenti e tutti i parametri possono essere programmati e memorizzati.

Caratteristiche principali

Caratteristiche principali

Tastiera 88 note

Aftertouch

2 Sticks

Stick 1: funzione Pitch Bend nei due assi

Stick 2: Sound Modulation e controllo FX1/2 (assegnabile o auto-selection)

2 Amplificatori integrati da 10W + 2 diffusori ellittici a riflessione posteriore

Display Oled 128x64

Interfaccia utente a controllo diretto

Zone Lower e Upper

4 Sezioni programmabili (Suoni interni e MIDI esterno) in ogni combinazione

1 GB di memoria flash, 88 suoni organizzati in 8 Sound Banks

Couini di Concert Grand piano con capionamenti rilascio-staccato e effetto Strings Resonance

Doppi processori di effetto FX1-2 - 4 effetti programmabilisimultanei

Riverbero Stereo con controllo di mandata separato per Lower e Upper

Strings Resonance (modello Damper) nei suoni di Piano acustico programmabile

Global-Program-Part EDIT

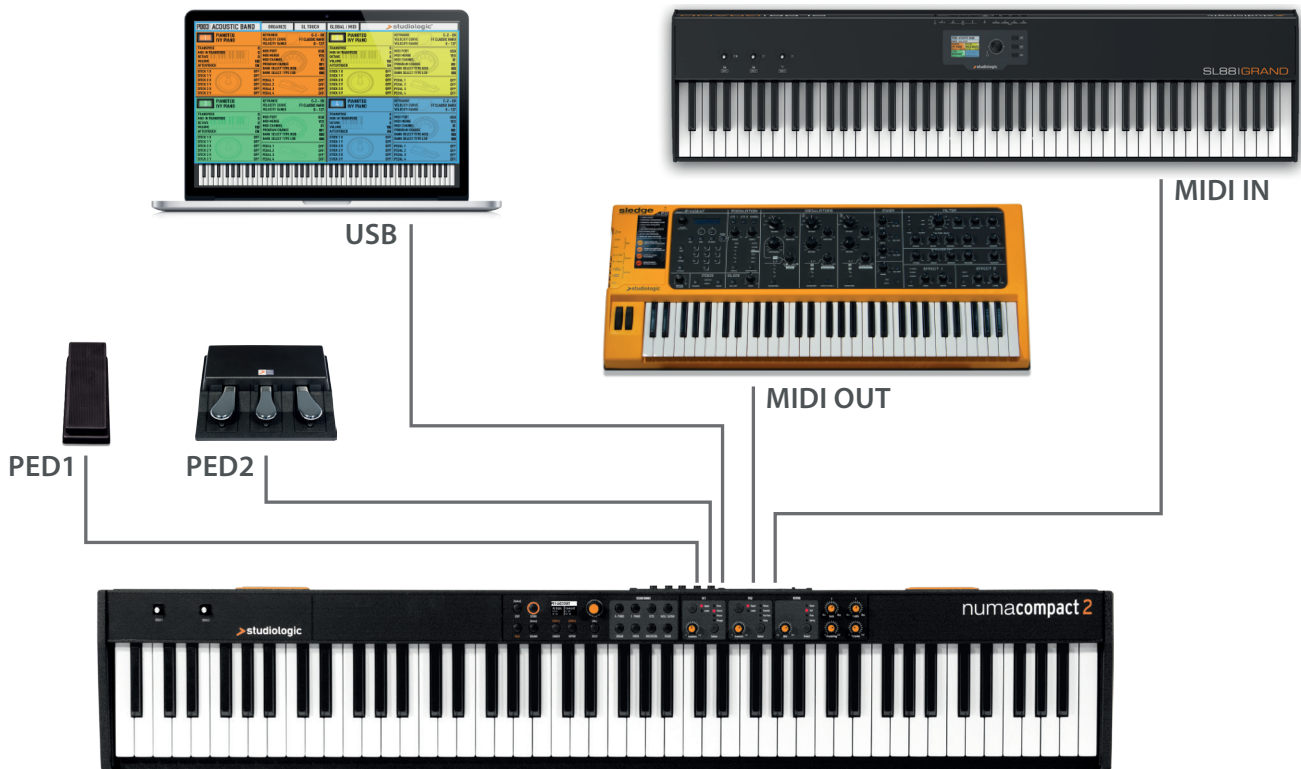
Controlli di Bassi, Acuti e Mastering (3D+Compressor)

Modulo MIDI con 2 Zone indipendenti programmabili

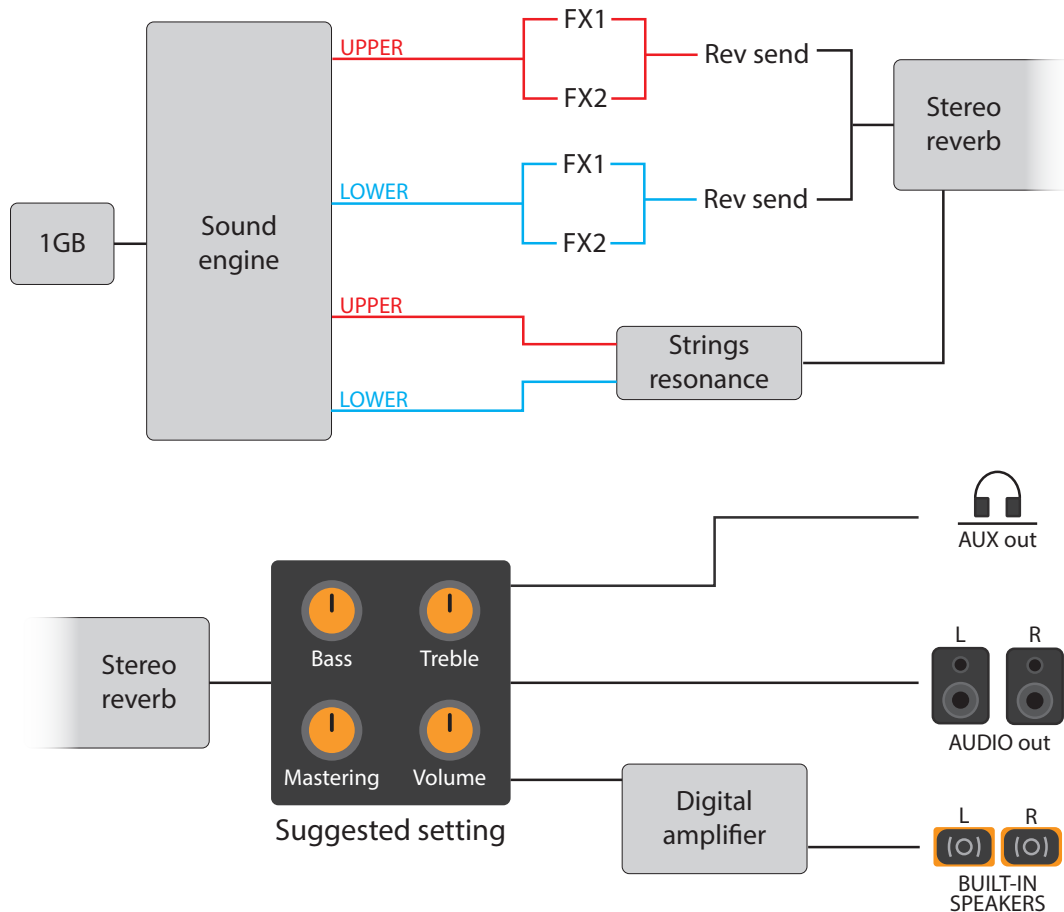
Conessioni: Usb, MIDI In/Out, Audio L/R, Cuffie, Pedale1-Pedale2

Alimentabile via USB

Esempio d'uso



Schema di funzionamento



Panoramica delle funzioni del Numa Compact 2:

Tastiera “Light Weighted”

Il Numa Compact 2 offre l'ultima tecnologia innovativa di Fatar: la sofisticata tastiera pesata TP9 Piano con Aftertouch. Il Numa Compact 2 pesa solo 7 Kg ed è quindi veramente portatile, offre un tocco veramente professionale che ha reso famosa la Fatar.

**8 Banchi di suoni
88 Suoni interni**

Puoi iniziare direttamente suonando i 88 suoni interni di alta qualità accuratamente campionati. Tastieristi e musicisti con molta esperienza hanno selezionato questi suoni e sono stati coinvolti nella progettazione dell'operatività di Numa Compact 2. Per questo Numa Compact 2 è il partner perfetto sul palco, in studio o a casa, in base al tuo modo di fare musica. Sono disponibili 128 note di polifonia per aggiungere profondità ed espressione.

**FX1 - FX2- REV
Strings Resonance**

È possibile combinare due suoni assegnandoli alle sezioni Lower e Upper in modalità Split o Layer, in ogni combinazione con le 2 Zone dedicate a moduli MIDI esterni. I due doppi processori FX ti consentono di assegnare 2 differenti tipi di effetto ad entrambe le sezioni Lower e Upper, in aggiunta alla sezione Riverbero per una varietà infinita di combinazioni.

**Mixer & Mastering
Amplificazione interna**

I controlli di Volume, Bassi, Acuti e Mastering consentono di ottenere settaggi di suono preferiti e il sistema di amplificazione interno con diffusori ellittici permette di suonare lo strumento con i suoi 10-10W controllati digitalmente ed equalizzati. Per il miglior risultato sonoro suggeriamo di posizionare le quattro manopole a circa metà corsa, per evitare possibili distorsioni ed ottimizzare la resa sonora. Le regolazioni si possono adattare ai suoni selezionati.

Funzioni Master Keyboard

Le funzioni di masterkeyboard di Numa Compact 2, con le 2 Zone programmabili, ti permettono di controllare altri strumenti Midi, selezionandone il suono e aggiustandone il livello direttamente dal Numa Compact 2 senza dover toccare gli altri strumenti.

Connessioni audio

Oltre alle uscite audio stereo e al sistema di amplificazione integrata, Numa Compact 2 ha l'uscita per cuffia, ideale per suonare a qualsiasi ora senza arrecare disturbo agli altri.

La porta integrata USB, ti permette di connettere Numa Compact 2 al tuo computer e di alimentarlo direttamente, senza utilizzare l'adattatore esterno (fornito). Puoi usare la porta MIDI e la porta USB per la trasmissione dei dati MIDI. Puoi inoltre aggiornare il firmware e la libreria di suoni via USB.

Avvertenza: il sistema di amplificazione interno viene automaticamente disattivato quando lo strumento è alimentato dalla porta USB al fine di evitare un consumo eccessivo.

Per la trasmissione dati via USB, collega il Numa Compact 2 al computer con un cavo USB. Lo strumento sarà riconosciuto automaticamente dal tuo computer appena acceso e il driver sarà installato dal sistema operativo (cross compliant).

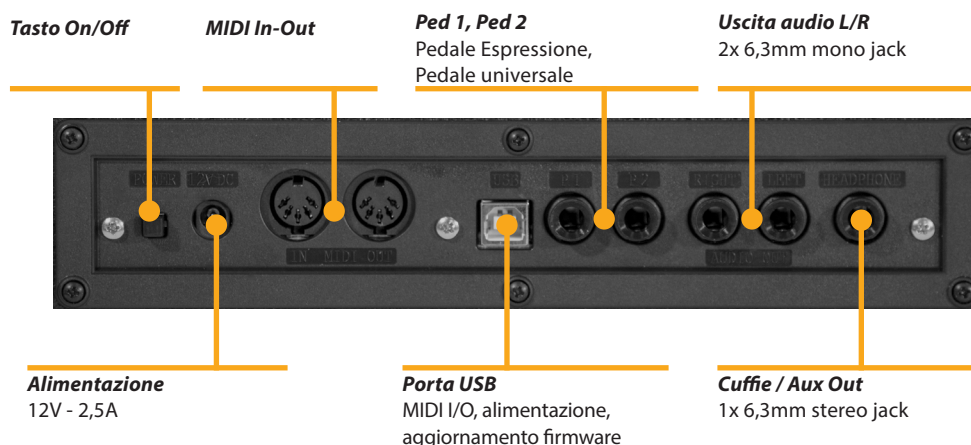
Numa Compact 2
Alimentatore esterno
Manuale CD

Interactive Numa

USB <> Computer

La confezione include

Alimentazione - Ingressi e connessioni



Connessione alimentazione

Usa l'alimentatore fornito con lo strumento per connettere la Numa Compact 2 all'alimentazione (o usa la connessione USB). Accendi l'unità utilizzando il pulsante posto vicino alla presa di alimentazione del Numa Compact 2, imposta il Volume principale e i controlli di Bassi e Acuti alla posizione intermedia e il controllo "Mastering" al valore minimo (la funzione sarà spiegata successivamente nel manuale) per evitare di avere un livello audio di uscita eccessivo e permettere ai diffusori interni di suonare con una escursione dinamica corretta.

Alimentazione USB



Lo strumento può essere alimentato anche dall'USB, utilizzando un cavo schermato di qualità certificata e assicurandosi che il computer abbia potenza sufficiente e non troppe periferiche collegate nella stessa porta USB. Quando lo strumento è alimentato dalla porta USB, il sistema di amplificazione interno viene disabilitato per evitare che il consumo di corrente sia eccessivo per il computer.

NOTA: in caso di connessione debole o instabile, utilizzare l'alimentazione tradizionale (vedi paragrafo precedente).

Pedali Universali/Espressione

Connetti il pedale (opzionale) o i pedali ai due relativi ingressi (Ped1 e Ped2). Nell'ingresso con l'etichetta Ped1, puoi collegare il pedale Studiologic VP, usato per i controlli di Volume-Expression. All'ingresso etichettato Ped2 puoi collegare un pedale switch singolo, un pedale Volume-Expression o il triplo pedale custom SLP3-D, come spiegato nel capitolo di questa guida relativo ai pedali.

Uscita audio

Per usare un sistema di amplificazione esterno, o registrare il suono dello strumento, collegare le uscite audio L/R alle entrate del vostro amplificatore o console, o alle entrate della scheda audio del vostro computer, utilizzando cavi idonei.

L'uscita cuffie può essere utilizzata con un set di cuffie o come un'uscita audio ausiliaria, in base alle impostazioni della funzione GLOBAL EDIT (spiegata in questo manuale). Come uscita audio ausiliaria, puoi usare questa connessione per collegare lo strumento ad un subwoofer o ad un sistema di amplificazione addizionale, lasciando le uscite L/R disponibili per la registrazione o per altre connessioni audio.

Quando usi il Numa Compact 2 per la prima volta, ti raccomandiamo di impostare il Volume della sezione Output ad un valore intermedio tra lo 0 e il massimo. Mentre suoni potrai regolare il volume come desideri. La regolazione del Volume agisce anche sul volume dell'uscita per la cuffia.

CAUTION:

Attenzione: Al fine di prevenire danni all'udito, dovresti – come per tutti i dispositivi audio – evitare di usare il Numa Compact 2 ad alti livelli di volume per lunghi periodi.

Per la trasmissione dei dati USB, collega il Numa Compact 2 al tuo computer con un cavo USB. La prima volta che accendi il Numa Compact 2, esso verrà riconosciuto dal tuo computer automaticamente e i driver dedicati saranno installati dal sistema operativo (cross compilant).

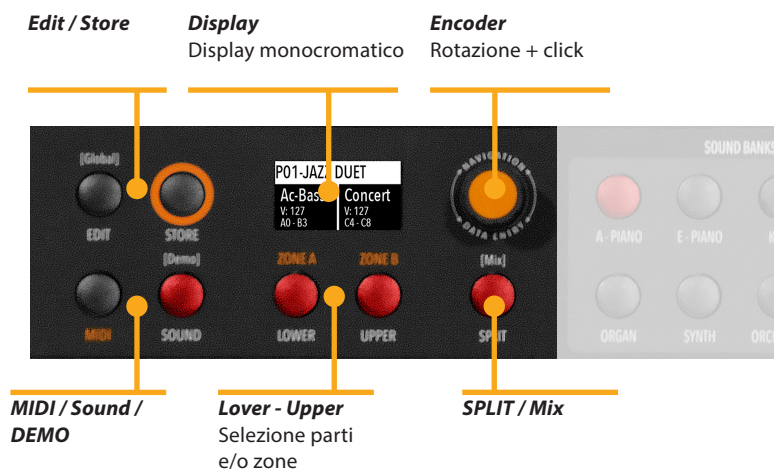
Cuffie

Volume



USB

Pannello - Display e navigazione



La pagina HOME del display del Numa Compact 2 è quella mostrata all'accensione ed è divisa in 3 aree principali: l'area superiore indica il numero ed il nome di Program corrente, le aree inferiori di sinistra e destra sono relative alle sezioni Lower e Upper nella modalità SOUND, e alle Zone A e B della modalità MIDI.

Per navigare e muovere il "focus" (la posizione del cursore nel display) puoi usare tre controlli a scelta:

- Cliccando sull'Encoder: il focus si sposterà tra le 3 posizioni principali: Programs, Lower e Upper;
- Premendo i pulsanti Sound o Midi: il focus si sposterà nell'area superiore;
- Premendo i pulsanti Lower o Upper: il focus si posizionerà nelle aree relative.



Quando il focus si trova nell'area Program, ruotando l'Encoder selezionerai i vari Programs.
Quando il focus si trova nelle aree Lower/Upper, ruotando l'Encoder controllerai i volumi relativi.

Sound / MIDI I due pulsanti etichettati SOUND e MIDI portano alternativamente alle due relative sezioni e controlli.
Quando è selezionato ed illuminato il pulsante SOUND, l'utente può controllare tutte le sezioni, selezioni, impostazioni, pagine edit e parametri delle sezioni SOUND.
Quando è selezionato e illuminato il pulsante MIDI, il display mostrerà lo stato delle Zone MIDI A e B e l'utente potrà accedere a tutti i parametri disponibili, funzioni di edit e valori.

Il pulsante SOUND può anche essere premuto a lungo per abilitare le 8 DEMO songs (una per ogni banco) che suoneranno in sequenza; cliccando su un SOUND BANK puoi anche selezionare la demo relativa. Alla fine di un brano partirà il brano del banco successivo a ciclo continuo.

Questo pulsante è un controllo generale in tempo reale della funzione Split, programmabile e controllata in tutti i suoi dettagli dalla funzione GLOBAL EDIT (Split Point) e PART EDIT (Split Assign). Quest è un modo veloce per abilitare e disabilitare immediatamente lo SPLIT e suonare le parti UPPER o LOWER in tutta la tastiera in modo Layer, senza split.

Come spiegato nelle sezioni EDIT, il pulsante SPLIT può anche essere usato come scorciatoia per selezionare la pagina MIXER, tenendolo premuto per alcuni secondi.

Il Numa Compact 2 ha 99 memorie programmabili dall'utente chiamate "Programs", in cui puoi memorizzare i Suoni, i controlli FX1/2, funzioni, split points e tutti i parametri editabili relativi alle MIDI ZONES, con un nme programmabile per ciascun Program. Le uniche funzioni non memorizzabili sono: VOLUME, BASS, TREBLE e MASTERING, dato che sono controlli puramente real-time non legati ad un Program particolare.

Demo

SPLIT

STORE / User Programs

Banchi suoni e sezioni suoni



Modalità SOUND

Nella modalità SOUND, col pulsante relativo selezionato e illuminati, gli 8 Sound Banks possono selezionare i suoni interni, organizzati secondo i nomi dei Bank. Ogni banco può avere un numero variabile di suoni, organizzati in pagine di 4 suoni ciascuno. Selezionando un Bank, potrai vedere nel display i suoni di quel Bank, quello corrente, il numero complessivo di pagine di suoni del Bank (mostrato in alto a destra nel display) e il suono selezionato a colore invertito.

Per selezionare un altro suono del Bank corrente, ruota l'encoder e tutti i suoni saranno mostrati e selezionati in sequenza, dalla prima all'ultima pagina del Bank. La selezione può essere fatta nell'arco di breve lasso di tempo (approssimativamente 5 secondi) e l'ultimo suono selezionato verrà automaticamente memorizzato. Quando selezioni un Bank, il focus andrà automaticamente nell'ultimo Sound selezionato in modo da semplificare e velocizzare la selezione dei suoni, dopo una prima selezione dei suoni. Grazie a questa funzione, avrai un'impostazione automatica dei tuoi suoni preferiti per ogni Bank.



Suoni

Ecco la lista di fabbrica dei Sounds, considera che le specifiche sono soggette a cambiamenti e la lista dei Sounds potrebbe essere modificata o aggiornata nelle future versioni di firmware.

A.PIANO

Concert
Stage
Vintage
Studio
Rock
Upright
E-Grand1
E-Grand2

E.PIANO

EP-Mark1
Wurlix
E-Pno1
E.Pno2
DxFm1
DxFm2
DxFm3
DxFm4

KEYS

Clavi
Harpsi
Vibes
Marimba
FunKlav
Cembalo
ReedOrg
GloKeys

BASS/GUITAR

Ac-Bass
El-Bass
Slap
Plucked
Ny-Guitar
El-Guitar
Ac-Guitar
Jz-Guitar
2 Guitars
12 Strings
BassRide1
BassRide2

ORGANS

JazzOrg1
JazzOrg2
DrawbVib
AllDrawb
888-Pure
888-Scan
MildSet
AllEven
V-Org
F-Org
Pipe1
Pipe2

SYNTH

SynthPad
SynHouse
SweetSaw
WowPad
Soloist
Funky
SynBass1
SynBass2
Jump
SynBrass
Square
Cluster

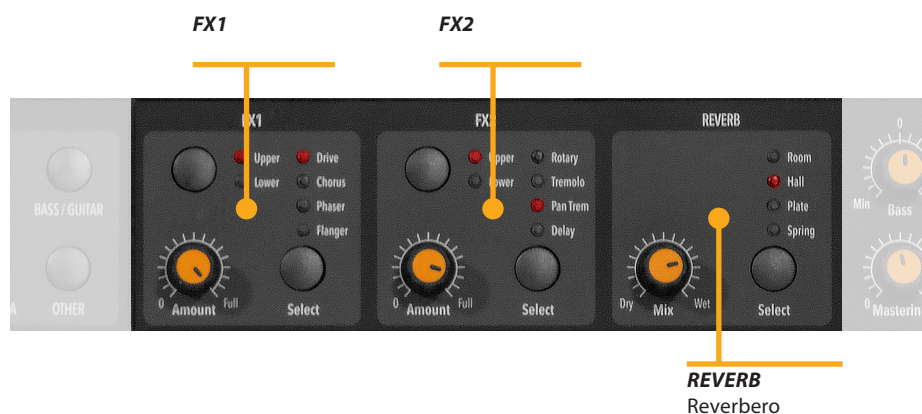
ORCHESTRA

Strings1
Strings2
Horns
Brass
Baroque
BigBand
BrassFall
SaxBand
TenorSax
JazzFlute
Trumpet
Oboe

OTHER

Cassotto
Accordion
Musette
Harmonica
ChoirAh
ChoirOh
ChoirUh
ChoirSint
Bouzouki
Kanoun
Oud
Cawala
Mizmar
Nai
StdKit
WorldKit

Effetti



FX1 - FX2

I due doppi processori di effetto, permettono di assegnare due effetti separati alle sezioni Lower e Upper, per un totale di 4 effetti contemporaneamente. Ad esempio, l'FX1 può essere impostato su Drive per la sezione Upper e, nello stesso tempo, su Chorus per la sezione Lower. Usando il pulsante Upper/Lower, puoi passare da un'parte all'altra per vedere o selezionare l'effetto. Inoltre, puoi vedere o cambiare l'FX associato tramite i pulsanti principali LOWER e UPPER sotto al display.

Puoi visualizzare la struttura del Sound e dell'FX e il flusso del segnale come segue:

Upper > FX1 (uno dei quattro)>FX2 (uno dei quattro)>Reverb (mandata programmabile in Edit)

Lower > FX1 (uno dei quattro)>FX2 (uno dei quattro)>Reverb (mandata programmabile in Edit)

Amount: i due potenziometri controllano la quantità dell'effetto selezionato, come il rapporto dry/wet (per gli effetti di modulazione come il Chorus) o altri parametri, come il livello di distorsione dell'effetto Drive.

La funzione FX Autoset (spiegata anche nella sezione Global Edit) memorizza automaticamente l'ultima impostazione FX1 e 2 per ogni Sound, senza la necessità di memorizzarle in un Program dedicato.

Questa funzione controllerà anche l'associazione tra lo Stick2 e il Sound o i controlli FX (modulation, speed ecc..) in modo logico e automatico. Quando un particolare FX è selezionato in una sezione, lo Stick 2 controllerà un parametro specifico, come la velocità Slow/Fast del Rotary o lo Speed e il Feedback del Phaser.

Il controllo sarà impostato automaticamente nella posizione evidenziata (focus): se hai la parte Lower senza FX e il focus su Lower, lo Stick2 controllerà la Modulation; se il focus è su Upper e hai un suono di organo con il Rotary, lo Stick2 ne controllerà la velocità Slow/Fast.

Se la funzione FX Autoset è impostata su Off (vedi la sezione GLOBAL Edit) la funzione degli Stick 1 e 2 dipenderà dalla Part Edit, senza assegnazioni automatiche, e potrai impostare e memorizzare ogni controllo possibile in un Program.

In aggiunta ai potenti doppi processori di effetto FX1 e 2, il Compact 2 dispone anche di un effetto STRING RESONANCE, dedicato ai suoni del Bank ACOUSTIC PIANOS controllato dal parametro relativo nel GLOBAL EDIT. Questo effetto, creato sulla base dell'esperienza maturata sul Numa Stage e Concert, aggiunge un carattere di grande realismo ai suoni di piano, riproducendo la risonanza delle corde vere e della tavola armonica dello strumento acustico.

FX Autoset

STRINGS RESONANCE (Damper model)

Global edit

Per abilitare il GLOBAL edit, tieni premuto il pulsante EDIT per alcuni secondi; troverai varie pagine (in alto a destra nel display) con funzioni che riguardano lo strumento, indipendentemente dal Program selezionato. Per uscire dalla funzione, premi di nuovo il pulsante EDIT e tutte le impostazioni verranno memorizzate automaticamente.

Quando il Focus (cursore) è nella parte superiore del display, ruotando l'encoder puoi selezionare le varie pagine, cliccando sull'encoder il focus si sposterà sul parametro e ruotandolo di nuovo potrai cambiare il relativo valore.

Le funzioni principali del GLOBAL EDIT sono:

TRANSPOSER



Puoi trasporre lo strumento in un'altra tonalità; clicca sull'encoder per muovere il cursore nel valore e ruotalo per inserire la trasposizione desiderata.

GLOBAL TUNER



Questa funzione ti permette di accordare lo strumento, nel caso volessi suonare con un altro strumento che non ha l'accordatura standard (A=440 Hz).

VELOCITY CURVE



Puoi selezionare curve dinamiche diverse secondo il tuo tocco e la tua tecnica esecutiva. Ci sono 3 curve di fabbrica (Soft/NORMAL/HARD) e una curva FIXED programmabile, col relativo valore.

FIXED CURVE



E' possibile settare un valore fisso (da 1 a 127) per la curva FIXED, quando selezionata.

STRINGS RESONANCE (DAMPER EFFECT)



Qui puoi controllare la quantità di effetto STRING RESONANCE, che aggiunge più realismo ai suoni di PIANO.

Considera che il suono CONCERT GRAND ha anche un effetto separato di "release and resonance" non controllabile da questo parametro.

HEADPHONES (MODE)



Quando il parametro è impostato su AUTO ON, l'inserimento delle cuffie disattiva automaticamente il sistema di amplificazione.

Se il parametro è impostato su AUTO OFF, il sistema di amplificazione interno resterà attivo anche nel caso di inserimento del jack nell'ingresso cuffie: questo ti permette di usare l'uscita cuffie come un'ulteriore uscita ausiliaria, per registrazioni o per collegare un subwoofer attivo, in aggiunta ai diffusori interni.

Mentre il PED1 è sempre utilizzabile per pedali di espressione/volume, il PED2 può essere programmato per collegare molti tipi di pedale:

- SINGLE SWITCH normalmente aperto;
- SINGLE SWITCH normalmente chiuso;
- EXPRESSION (funzione di volume, pedale con potenziometro e plug stereo);
- SLP3-D: Pedale triplo con funzioni SOFT/SOSTENUTO/SUSTAIN con controllo di mezzo pedale.

Quando la funzione è impostata su AUTO ON, sono abilitate le seguenti funzioni:

L'ultimo effetto selezionato (FX1-2) per ogni suono viene memorizzato dallo strumento, consentendo di selezionare un suono e il relativo effetto preferito, senza la necessità di memorizzare la combinazione in un Program. L'FX AUTOSET non memorizzerà e richiamerà soltanto l'effetto associato dall'utente al suono, ma anche i valori dei parametri controllati dallo Stick 2 per ogni effetto.

Il controllo STICK 2 sarà assegnato automaticamente ad una funzione, secondo l'impostazione e la posizione del FOCUS (cursore).

Se il Focus è su UPPER (ad esempio) e hai selezionato un suono di Organ con l'effetto Rotary, lo STICK 2 controllerà la velocità SLOW/FAST del Rotary.

Se sposti il Focus su LOWER (cliccando sull'encoder o premendo il pulsante LOWER) e hai un altro FX su LOWER, lo STICK2 controllerà l'effetto LOWER.

Se non c'è nessun FX impostato in una sezione (LOWER O UPPER) e sposti il Focus su di essa, lo STICK2 controllerà la MODULATION della sezione selezionata.

Esempio tipico: immagina di avere un suono Organ su UPPER con Rotary e un suono BASS su LOWER senza effetti: spostando il cursore su UPPER, lo STICK 2 controllerà la velocità del Rotary, spostando il Focus su LOWER, lo Stick2 controllerà la Modulation.

Nota: questa funzione automatica è una selezione arbitraria fatta dallo strumento, basata su una situazione esecutiva statistica; se vuoi controllare tutti i parametri direttamente e manualmente, puoi impostare la funzione su OFF e selezionare la funzione dello STICK 2 nella relativa PART EDIT, memorizzando poi l'impostazione desiderata in un PROGRAM.

PEDAL 2



FX AUTOSET



FACTORY RESET



Questa funzione consente di fare un Reset di Fabbrica completo che cancellerà tutte le impostazioni utente e reimposterà tutti i parametri allo stato originario. Considera che questo potrebbe farti perdere tutte le impostazioni utente e la funzione dovrebbe essere attivata molto attentamente. Per proteggere l'utente da reset indesiderati, viene visualizzato un messaggio precauzionale YES/NO quando provi a resettare lo strumento, consentendoti di confermare o meno l'operazione.

FIRMWARE VERSION AND UPDATE



Per aggiornare il firmware seguire queste istruzioni:

- Scarica il firmware dal sito www.studiologic-music.com e salvalo in una cartella conosciuta;
- Collega lo strumento all'alimentazione e successivamente al computer via USB;
- Accendi lo strumento tenendo premuto i tasti A0 (primo tasto bianco da sinistra) e D1 (quarto tasto bianco da sinistra); il display mostrerà il messaggio "Firmware Upload";
- Aprire qualsiasi programma in grado di leggere un midifile (es. [MIDI-Ox](#) per PC, [QMidi](#) per Mac etc);

MIDI-Ox:

- Aprire MIDI-Ox;
- Nella barra dei menu, scegliere Actions > Play MIDI... , e si aprirà MIDI BAR;
- nella finestra di MIDI BAR, fare click sul tasto "Select MCI Port" e selezionare Numa Compact 2;
- In MIDI BAR aprire il file precedentemente scaricato;
- Premere il tasto play e attendere la fine della procedura;
- Quando il display del Numa Compact 2 mostra il messaggio "UPLOAD FINISHED", riavviare lo strumento (off e on).

QMidi:

- Aprire QMidi;
- Selezionare il file precedentemente scaricato;
- Nella barra dei menu scegliere QMidi > Audio/MIDI settings e selezionare Numa Compact 2 come dispositivo in output;
- Nella finestra principale premere il tasto play ed attendere la fine della procedura
- Quando il display del Numa Compact 2 mostra il messaggio "UPLOAD FINISHED", riavviare lo strumento (off e on).

Questa funzione permette di ricevere o inviare tutti i Program al computer (Mac o PC). Una volta selezionata, ruotando l'encoder, puoi selezionare SEND o RECEIVE con le procedure seguenti:

WINDOWS

Puoi usare un'applicazione come "Midi-Ox" nel modo seguente (assicurati che il Numa Compact 2 sia visto dalle porte del USB/MIDI del computer e nei settaggi di "MIDI-Ox").

Per inviare i dati al computer:

- Collega la tua Numa Compact 2 al computer via USB;
- Apri "MIDI-Ox" e scegli "View/Sysex";
- Nella finestra "Sysex", scegli "Sysex>Receive manual dump";
- Clicca sull'encoder della Numa Compact 2 quando la funzione Global SEND è attiva e conferma con YES;
- Nella finestra Display del programma "MIDI-OX" salva i dati Bulk in un file;
- Quando il dump è completato, scegli "Display Window > Save as..."

Per ricevere i dati dal computer al tuo strumento:

- Nella finestra "Program Send/Receive" seleziona "Receive";
- Apri il programma "MIDI-Ox", nella finestra Sysex scegli "Command>WindowZLoad File" e cerca il file nella cartella dove l'avevi memorizzato;
- Scegli "Command Window>Send Sysex e aspetta fino alla conclusione.

MAC OS

Poi usare un'applicazione come "SysEx Librarian" nel modo seguente (assicurati che il Numa Compact 2 sia visto dalle porte del USB/MIDI del computer e nei settaggi di "SysEx Librarian").

Per inviare i dati al computer:

- Collega la tua Numa Compact 2 al computer via USB;
- Apri "SysEx Librarian" e nella toolbar seleziona la periferica "Numa Compact 2";
- Clicca il pulsante "Record many" in "SysEx Librarian";
- Clicca sull'encoder della Numa Compact 2 quando la funzione Global SEND è attiva e conferma con YES;
- Quando la trasmissione è completata, premi il pulsante "Done" su " SysEx Librarian".

Per ricevere i dati dal computer al tuo strumento:

- Nella finestra "Program Send/Receive" seleziona "Receive";
- Nella barra degli strumenti di SysEx Librarian, fare click sul menu a discesa "Destination" e selezionare la porta MIDI da cui ricevere i dati;
- Nel programma "SysEx Librarian" seleziona il file Sysex dalla lista posta nella finestra e premi il pulsante "Play" per iniziare la trasmissione.

PROGRAMS SEND / RECEIVE



Program edit

Se il Focus (cursore) è nella parte superiore del display nella selezione dei Program, premendo il pulsante EDIT si entra in PROGRAM EDIT, con i seguenti parametri e impostazioni.



PROGRAM NAME



Dopo aver selezionato questa funzione, clicca sull'encoder e inserisci le lettere ruotandolo; un piccolo triangolo mostrerà quale numero stai editando.

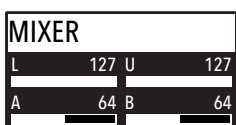
Per confermare il nuovo nome, o mantenere il precedente, premi STORE e una finestra popup ti chiederà conferma, ruota l'encoder su YES o NO e conferma cliccandoci.

SPLIT POINT



Questa funzione consente di selezionare il punto di SPLIT per ogni PROGRAM, ruotando l'encoder fino a che la nota desiderata viene visualizzata. Considera che, per standard internazionale, la tastiera dello strumento è nominata da A0 (primo tasto a sinistra) a C8 (ultimo tasto a destra), di conseguenza il DO centrale sotto al display è il C4. L'intonazione di riferimento di A= 440 Hz è su A4, il La della stessa ottava del Do centrale (sotto i Sound Banks) per tutti i suoni basati sullo standard 8' del piano. Solo alcuni suoni di ORGAN suoneranno un'ottava sotto, se basati sui drawbar a 16' degli organi vintage a ruote foniche o gli organ a canne con registro a 16': in questi casi la fondamentale del suono selezionato su A4 sarà di 220 Hz (un'ottava sotto i 440 Hz).

MIXER



Il MIXER consente di controllare tutte le quattro parti e zone (LOWER/UPPER/ZONEA/ZONEB) in una singola pagina. Questa funzione è accessibile tramite una scorciatoia, tenendo premuti i pulsanti SPLIT e MIXER.

Part edit

Se il focus è in una delle parti e sei nella modalità SOUND (con il pulsante SOUND selezionato ed illuminato) entrerai nella modalità PART EDIT. Una volta selezionato PART EDIT puoi sempre premere i pulsanti LOWER o UPPER per selezionare la parte da editare, o cliccare sull'encoder.



Il PART EDIT comprende i seguenti parametri:

Ruotando l'encoder, dopo aver spostato il Focus nel parametro cliccando su di esso, puoi controllare il Volume della parte selezionata con una escursione da 0 a 127.

VOLUME

PART EDIT [1/10]	
VOLUME	VOLUME
127	127

Una volta selezionato lo SPLIT POINT per il PROGRAM corrente, (vedi PROGRAM EDIT) puoi decidere dove far suonare la sezione selezionata (LOWER/UPPER o ZONEA/ZONEB) in modo totalmente indipendente come segue:

SPLIT ASSIGN

PART EDIT [2/10]	
SPLIT ASSIGN	SPLIT ASSIGN
TO LEFT	TO RIGHT

TO LEFT: la parte suonerà nella sezione sinistra della tastiera (da A0 alla nota di SPLIT)

TO RIGHT: la parte suonerà nella sezione destra della tastiera (dalla nota di SPLIT a C8)

TO ALL: la parte suonerà senza punto di SPLIT in tutta la tastiera.

Questa funzione ti permetterà molte combinazioni musicali come questi esempi:

PIANO sulla destra + BASS sulla sinistra del punto di Split

PIANO e STRINGS sulla destra + Zone MIDI sulla sinistra (che controllano moduli sonori esterni)

ORGAN in tutta la tastiera (TO ALL) e CHOIR solo nella parte destra

Anche con un solo punto di SPLIT (programmabile per ogni PROGRAM) le possibili combinazioni sono quasi un centinaio, considerando le varie combinazioni tra LOWER+UPPER+ZONEA+ZONEB.

TRANSCOPE

PART EDIT [3/10]	
TRANSCOPE	TRANSCOPE
0	0

Questa funzione consente di trasporre una parte a differenza del GLOBAL TRASPOSER che ha effetto su tutto lo strumento. Questa funzione può essere impostata differenzialmente per ogni sezione di SOUND o Midi Zone e memorizzata in un PROGRAM con differenti valori. Combinazioni interessanti si possono ottenere trasponendo un suono con intervalli musicali come una quinta inferiore (- 5 semitoni) per ottenere quello che è comunemente conosciuto come un "cluster" ad intervalli fissi. prova a selezionare una Tromba su Upper e un Sax su Lower, impostando il Sax 5 semitoni sotto in una tipica impostazione Jazz!

OCTAVE

PART EDIT [4/10]	
OCTAVE	OCTAVE
0	0

Puoi impostare l'ottava (intervallo di 12 semitoni) separatamente per ogni parte; normalmente avrai bisogno di spostare la parte LOWER una o due ottave sopra, se vuoi suonare degli accordi in un registro migliore. A volte invece puoi ottenere un suono migliore quando lo SPLIT è attivato se sposti la parte UPPER una o due ottave sotto, se selezioni un Sax Tenore in combinazione con un suono di Basso splittato sulla sinistra, dato che le note più belle e più gravi del sax sarebbero probabilmente nella posizione sinistra della tastiera. Sperimenta semplicemente le tue impostazioni preferite e memorizzale nel PROGRAM.

REV SEND

PART EDIT [5/10]	
REV SEND	REV SEND
64	64

La funzione consente di controllare la quantità di segnale che deve essere inviata al processore di REVERB, indipendentemente per le parti LOWER e UPPER, programmabile con impostazioni diverse per ogni PROGRAM. Un'impostazione tipica, se splitti la tastiera e assegni un suono di BASS sulla sinistra, potresti voler ridurre la quantità di REVERB per la parte sinistra o controllare l'impostazione anche nella parte UPPER per ottenere l'effetto desiderato. Il potenziometro MIX nel pannello frontale, cambierà il rapporto (DRY/WET) con ogni tipo di riverbero selezionato o valore di mandata.

PEDAL 1 - PEDAL 2

PART EDIT [6/10]	
PEDAL 1	PEDAL 1
ON	ON

Qui puoi decidere se i pedali sono abilitati o no per ogni sezione (UPPER/LOWER o ZONEA/ZONEB se il pulsante MIDI è attivato).

STICK 1 - STICK 2

PART EDIT [8/10]	
STICK 1	STICK 1
ON	ON

Come per i pedali, anche gli STICK possono essere abilitati separatamente per le Parti e le Zone. Considera che lo STICK 2 sarà impostato automaticamente su AUTO se la funzione FX-AUTOSET è impostata su ON nell'area GLOBAL EDIT. Per controllare manualmente lo STICK 2, puoi impostare su OFF l'FX-AUTOSET e la funzione potrà essere impostata su ON o OFF e memorizzata nei Program.

Questo parametro abilita o disabilita la funzione Aftertouch nella Parte o Zona selezionata. La funzione Aftertouch sarà in molti casi simile al controllo di modulazione dello STICK 2, aggiunge una spece di vibrato o modulazione al suono secondo le impostazioni. Normalmente imposterai l'Aftertouch ON per la parte UPPER, usata comunemente per la parte musicale principale o per i soli, mentre la parte LOWER è normalmente associata ad accompagnamenti o a parti di basso, se lo SPLIT è attivo.

AFTERTOUCH

PART EDIT [10/10]	
A.TOUCH	A.TOUCH
ON	ON

MIDI

Il Numa Compact 2x consente di controllare separatamente 2 zone MIDI, con tutti i relativi parametri. Il risultato può essere salvato nel PROGRAM corrente insieme alle impostazioni delle sezioni interne LOWER e UPPER, con un punto di SPLIT comune. Dopo aver premuto il tasto EDIT quando la modalità è settata su MIDI, scorrere con l'Encoder fino a raggiungere l'opzione che si vuole modificare. Premere l'encoder per selezionare la zona e ruotarlo per impostare il valore desiderato. In modalità MIDI è possibile ruotare l'encoder per regolare il volume della zona selezionata.

Program edit

Il PROGRAM EDIT, spiegato nel relativo capitolo, si riferisce ai parametri comuni per entrambe le modalità SOUND e MIDI. Seguendo il successivo paragrafo ZONE EDIT sarà possibile impostare i parametri di una specifica Zona MIDI e salvarli nello stesso PROGRAM insieme a tutti gli altri parametri memorizzati per gli suoni interni.

Zone edit

Premendo il tasto EDIT quando una delle due zone in modalità MIDI è attualmente selezionata, si entrerà nel menu di modifica delle Zone. A questo punto scegliere il parametro desiderato ruotando l'Encoder e selezionare la Zona con i tasti ZONE A e ZONE B o effettuando dei click con l'Encoder. Ruotare l'Encoder per impostare il valore desiderato.



Il menu ZONE EDIT permette di modificare i seguenti parametri:

PROGRAM CHANGE

ZONE EDIT [1/16]	
PRG CHG	PRG CHG
0	0

Il numero di Program Change del dispositivo controllato e del generatore di suono, facendo riferimento alla specifica mappa di suoni di dispositivo/vst/generatore di suoni. Il valore deve essere compreso tra 1 e 127.

LSB - MSB

ZONE EDIT [2/16]	
BANK LSB	BANK LSB
0	0

LSB (Byte meno significativo) e MSB (Byte più significativo) consentono di controllare e selezionare più dei normali 127 banchi o altre funzioni definite nello standard MIDI. Per scegliere un valore corretto, fare riferimento alla tabella di implementazione del dispositivo controllato,

MIDI CHANNEL

ZONE EDIT [4/16]	
MIDI CH	MIDI CH
2	1

E' possibile selezionare un canale MIDI per ogni Zona in modo da controllare 2 differenti dispositivi.

Volume della Zona, regolabile direttamente anche senza entrare nel menù EDIT, ruotando l'Encoder quando una delle 2 Zone è selezionata e ci si trova in modalità MIDI.

Una volta che il punto di SPLIT è abilitato sul PROGRAM corrente, è possibile decidere come esso deve comportarsi in ognuna delle Zone:

TO LEFT: la Zona suonerà nella sezione sinistra della tastiera (da A0 alla nota di SPLIT)

TO RIGHT: la Zona suonerà nella sezione destra della tastiera (dalla nota di SPLIT a C8)

TO ALL: la Zona suonerà intutta la tastiera senza tener conto dello SPLIT

Anche con un punto di SPLIT comune (programmabile per ciascun PROGRAM), gli scenari possibili sono quasi cento, considerando lo stato e le combinazioni di LOWER + UPPER + ZONEA + ZONEB e le impostazioni SPLIT rese possibili da questa funzione.

Consente di trasporre una zona; diversamente dal GLOBAL TRANSPOSER, che attua l'effetto sull'intero strumento, questa funzione può essere impostata indipendentemente per ciascuna zona MIDI e memorizzata in ciascun PROGRAM, con valori diversi.

È possibile impostare l'ottava (intervalli di 12 semitoni ciascuno) separatamente per ciascuna zona; normalmente dovrete spostare una zona di una o due ottave verso l'alto, nella zona SINISTRA di una tastiera divisa per suonare gli accordi in una gamma migliore. D'altra parte, a volte è possibile ottenere un suono migliore se si sposta la zona SUPERIORE di una o due ottave verso il basso; semplicemente sperimenta l'impostazione che preferisci e quindi memorizzala nel PROGRAM corrente.

Abilita o meno i pedali per ciascuna zona indipendentemente, a seconda di dove è impostato il cursore-focus (su ZONE A o ZONE B).

Come per i pedali, anche gli Stick possono essere abilitati separatamente per le Zone; si noti che lo Stick 2 verrà impostato automaticamente su AUTO se la relativa funzione FX-AUTOSET è impostata su ON nell'area GLOBAL EDIT. Per controllare manualmente l'assegnazione dello Stick 2, è possibile impostare su OFF l'FX-AUTOSET e la funzione può essere attivata o disattivata e memorizzata nei Programmi.

VOLUME

ZONE EDIT [5/16]	
VOLUME	VOLUME
64	64

SPLIT ASSIGN

ZONE EDIT [6/16]	
SPLIT ASSIGN	SPLIT ASSIGN
TO LEFT	TO RIGHT

TRANSPOSE

ZONE EDIT [7/16]	
TRANSPOSE	TRANSPOSE
0	0

OCTAVE

ZONE EDIT [8/16]	
OCTAVE	OCTAVE
0	0

PEDAL 1 - PEDAL 2

ZONE EDIT [9/16]	
PEDAL 1	PEDAL 1
ON	ON

STICK 1 - STICK 2

ZONE EDIT [11/16]	
STICK 1	STICK 1
ON	ON

AFTERTOUCH

ZONE EDIT [13/16]	
A.TOUCH ON	A.TOUCH ON

Questo parametro abilita o disabilita la funzione Aftertouch sulla zona selezionata; la funzione di Aftertouch sarà nella maggior parte dei casi simile, come nel controllo di modulazione di Stick 2, aggiungendo al suono una sorta di vibrato o una modulazione simile, secondo l'impostazione. Normalmente imposterai l'Aftertouch ON per la zona UPPER, che è comunemente usato per la zona musicale principale o per le performance da solista, mentre la zona LOWER è normalmente associata ad accompagnamenti o linee di basso, se lo SPLIT è attivo, tuttavia l'impostazione è totalmente sotto il tuo controllo e scelta.

Tutti i prodotti Studiologic sono costruiti attentamente, calibrati, testati, e sono soggetti a garanzia. Danni causati da trasporto non conforme, montaggio o errata manutenzione, non sono coperti da questa garanzia. Per eventuali informazioni rivolgersi al proprio negoziante e/o al distributore di zona.

FATAR srl
 Zona Ind.le Squartabue
 62019 Recanati MC Italy
 dichiara che questo prodotto è conforme alle Direttive Europee:
 2004/108//EC EMC Directive
 DIN EN 55013 EMC radio disturbance of sound, TV and
 associated equipment
 DIN EN 55020 EMC immunity of sound, TV and
 associated equipment

Recanati, 17. 01. 2017 Marco Ragni, Chief Executive Officer

Questa dichiarazione diventa non valida nel caso di modifiche non autorizzate.

Questo prodotto è costruito secondo le direttive 2002/95/EC.

L'adozione delle direttive EG 2003/108/EG è volta a prevenire e limitare il flusso di rifiuti di apparecchiature destinati alle discariche, attraverso politiche di riuso e riciclaggio degli apparecchi e dei loro componenti (WEEE). Aiutaci a mantenere il mondo pulito.

Per garantire il massimo della qualità, i prodotti Studiologic sono sempre progettati allo stato dell'arte, per questo sono consentite, senza preavviso: modifiche, migliorie variazioni. Specifiche tecniche e di aspetto possono essere diverse da quanto indicato in questo manuale.

Tutti i marchi usati in questo manuale appartengono ai rispettivi proprietari.

Copyright Nessuna parte di questo manuale può essere riprodotta o trasmessa in ogni forma senza il consenso del proprietario del Copyright:

FATAR Srl
 Zona Ind.le Squartabue
 62019 Recanati, Italia

Garanzia

Conformità CE



Conformità RoHS



Disposizioni / WEEE



Stato dell'arte

Marchi

Copyright

Wichtige Sicherheitshinweise



Bitte lesen Sie die Bedienugsanleitung vollständig durch. Sie enthält alle Informationen die Sie benötigen, um dieses Gerät zu verwenden.

Bitte folgen Sie den Anweisungen in dieser Bedienugsanleitung. Bei Fremdeingriff am NUMA Compact 2 erlischt die Garantie. Es wird empfohlen nur das vom Hersteller vorgesehene Zubehör zu verwenden. Verwenden Sie das Gerät ausschließlich wie in dieser Bedienugsanleitung beschrieben.



Achtung!

Gefahr durch Stromschlag! Öffnen Sie das Gerät nicht. Im Inneren befinden sich keine vom Benutzer verwendbaren Teile. Reparaturarbeiten dürfen nur von qualifiziertem Fachpersonal durchgeführt werden.



Feuchtigkeit

Um eine Gefährdung durch Feuer oder Stromschlag auszuschließen, darf dieses Gerät weder Regen noch Feuchtigkeit ausgesetzt werden. Auch Spritzwasser oder tropfende Flüssigkeiten dürfen nicht in das Gerät gelangen. Stellen Sie keine Gefäße mit Flüssigkeiten, z.B. Getränke oder Vasen auf das Gerät. Wenn das Gerät von einem kalten an einen warmen Ort gebracht wird, kann sich im Inneren Kondensfeuchtigkeit bilden. Erst einschalten, wenn sich das Gerät auf Raumtemperatur erwärmt hat.



Aufstellung

Achten Sie bei der Aufstellung auf eine stabile Unterlage um Kippen oder Herunterfallen zu vermeiden!

Reinigung / Pflege

Verwenden Sie keine scharfen Reinigungsmittel. Am besten eignet sich ein Mikrofasertuch, dass Sie bei Bedarf leicht anfeuchten.

Hinweis zur Verpackung

Bitte bewahren Sie die Verpackung des Gerätes auf. Damit ist Ihr Gerät beim Transport, z.B. im Service-Fall, geschützt.



Netzanschluss

Bevor Sie das Gerät mit dem Stromnetz verbinden, überprüfen Sie bitte sorgfältig, ob die Netzspannung für das mitgelieferte Netzteil geeignet ist. Das Netzteil kann mit einer Wechselspannung von 100V bis 240V betrieben werden. Verwenden Sie für den Anschluss an das Versorgungsnetz nur den entsprechenden Netzsteckeradapter. Verwenden Sie keine defekten Netzteile oder Netzteile mit defekten Anschlussleitungen.

Wichtiger Hinweis: Das Numa Compact 2 kann auch direkt über den USB-Port mit Strom versorgt werden, wenn es an den PC oder eine andere geeignete USB-Stromquelle angeschlossen ist.

Numa Compact 2

Bedienungsanleitung  

Sicherheitshinweise	58	
Das Numa Compact 2	62	Produktübersicht
	62	Die Hauptfunktionen
	63	Anwendungsbeispiel
	63	Funktionsdiagramm
Stromversorgung und Anschlüsse	66	Stromversorgung
	66	Stromversorgung USB-Power
	66	Expression- / Universal-Pedale
	66	Audioanschlüsse
	67	Kopfhöreranschluss
	67	Lautstärkeregelung
	67	USB-Anschluss
Bedienfeld-Display und Navigation	68	Sound / MIDI
	69	Demo
	69	Split
	69	Speichern von Presets (User Programs)
Sound- Bänke und Rubriken	70	Sound modus
	71	Sounds
Effekte	72	FX1- FX2
	73	FX Autoset
	73	Saitenresonanz (Damper model)
Allgemeine Einstellungen	74	Transposer
	74	Stimmgerät
	74	Velocity curve
	74	Fixed curve
	74	Saitenresonanz (dämpfbar)
	74	Kopfhörer (Betriebsart)
	75	Pedal 2
	76	FX Autoset
	77	Werkseinstellung
	77	Firmware Version und Update
	78	Programme Senden/Empfangen
Programmeinstellungen	80	Programm Name
	80	Splitpunkt
	80	Mixer
Menüeinstellungen	81	Lautstärke
	81	Splitpunkt setzen
	82	Transponieren
	82	Octave
	82	Rev send
	82	Pedal 1 - Pedal 2
	83	Stick 1 - Stick 2
	83	Aftertouch

MIDI (Zonen-Edit)	84	Programmwechsel
	84	LSB - MSB
	85	MIDI Kanäle
	85	Volume
	85	Split assign
	85	Transpose
	85	Octave
	86	Pedal 1 - Pedal 2
	86	Stick 1 - Stick 2
	86	Aftertouch
Anmerkungen	84	
Anhang	118	Sound Map
	119	MIDI Implementation Chart
	120	Spezifikationen
	120	Maße/Gewichte

Produktübersicht

Das NUMA Compact 2 ist ein höchst leistungsfähiges Musikinstrument, das in einem stilvollen und schlanken Gehäuse geliefert wird und auf einer völlig neuen Technologie und einer aktualisierten Benutzeroberfläche basiert. Die Tastatur ist mit Aftertouch ausgestattet und zusammen mit den programmierbaren Sticks erhält man, die volle Kontrolle über das Instrument. Die neue Sound-Engine umfasst 128 Noten max. Polyphonie und es besitzt zwei unabhängige Bereiche auf der Tastatur (Unten & Oben) mit über 80 Sounds, organisiert in 8 Sound-Bänken, zuweisbar an jeden Teil der Tastatur, im Layer- oder Split-Modus. Die Klänge aus dem Flashmemory mit 1 GB Speicherinhalt können mit zwei Effektprozessoren nachträglich noch weiter bearbeitet bzw. aufgewertet werden. Jeder Prozessor (FX1-FX2) ist in der Lage, zwei voneinander unabhängige Effekte gleichzeitig zu erzeugen, so dass insgesamt vier jeweils getrennt einstellbare Effekte zur Verfügung stehen. Eine kontrollierbare Saitenresonanz und die Dämpfergeräusch-Samples machen die Klavierklänge noch realer, während der neue Stereo Reverb den Sound anschließend weiter verbessert. Bass-, Treble- und Mastering- Regler erreichen Studioqualität, die auch durch den eingebauten Digitalverstärker und die ovalen Rückreflexionslautsprecher spürbar ist. Das MIDI-Modul verfügt über zwei unabhängige MIDI-Zonen. Alle Parameter können programmiert und abgespeichert werden.

Ausstattung

Tastatur mit 88 Tasten, leichtgewichtig, Aftertouch

Stick 1: Pitch Bend Funktion auf beiden Achsen

Stick 2: Klangmodulation und FX1/2 Regelung (Zuweisbar oder automatische Auswahl) 2x10W
Verstärkerleistung + 2 ovale Rückreflexionslautsprecher

128x64 grafisches OLED Display

Benutzeroberfläche mit Direktzugriff

Untere und obere Tastaturzone (A – B)

4 programmierbare Bereiche (interne SOUNDS und MIDI) in beliebiger Kombination

1 GB of Flash Speicher, 88 Sounds organisiert in 8 Sound Bänken

Concert Grand Piano Sounds mit Dämpfergeräusch Samples und virtueller Saitenresonanz

FX1-2 Zweifacher-Effektprozessor - 4 gleichzeitig programmierbare Effekte

Stereo Reverb mit separat (unten/oben) regelbarem Pegel

Saitenresonanz (Damper Modell) auf akustischen Piano Sounds (programmierbar)

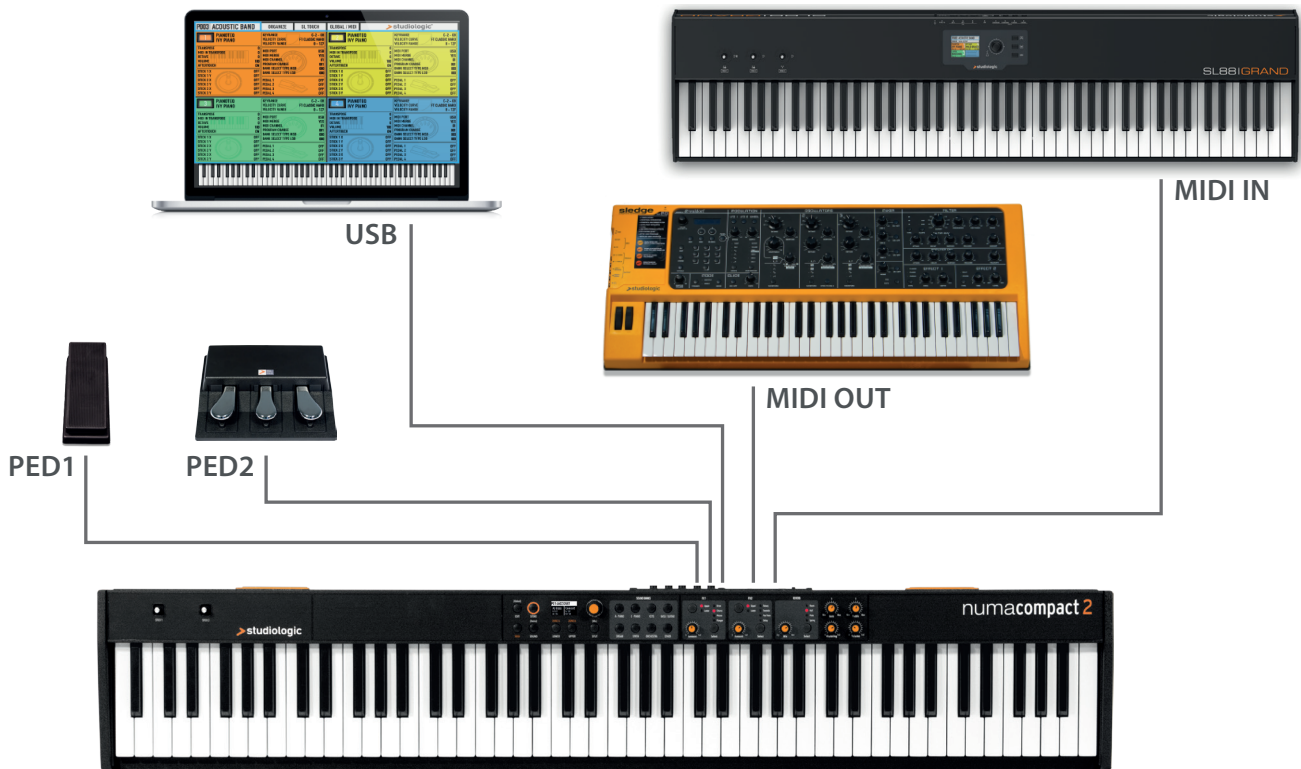
Allgemein-, Programm- und Menüeinstellungen

Bass, Treble, Mastering (3D+Compressor) Regelmöglichkeiten zur Nachbearbeitung

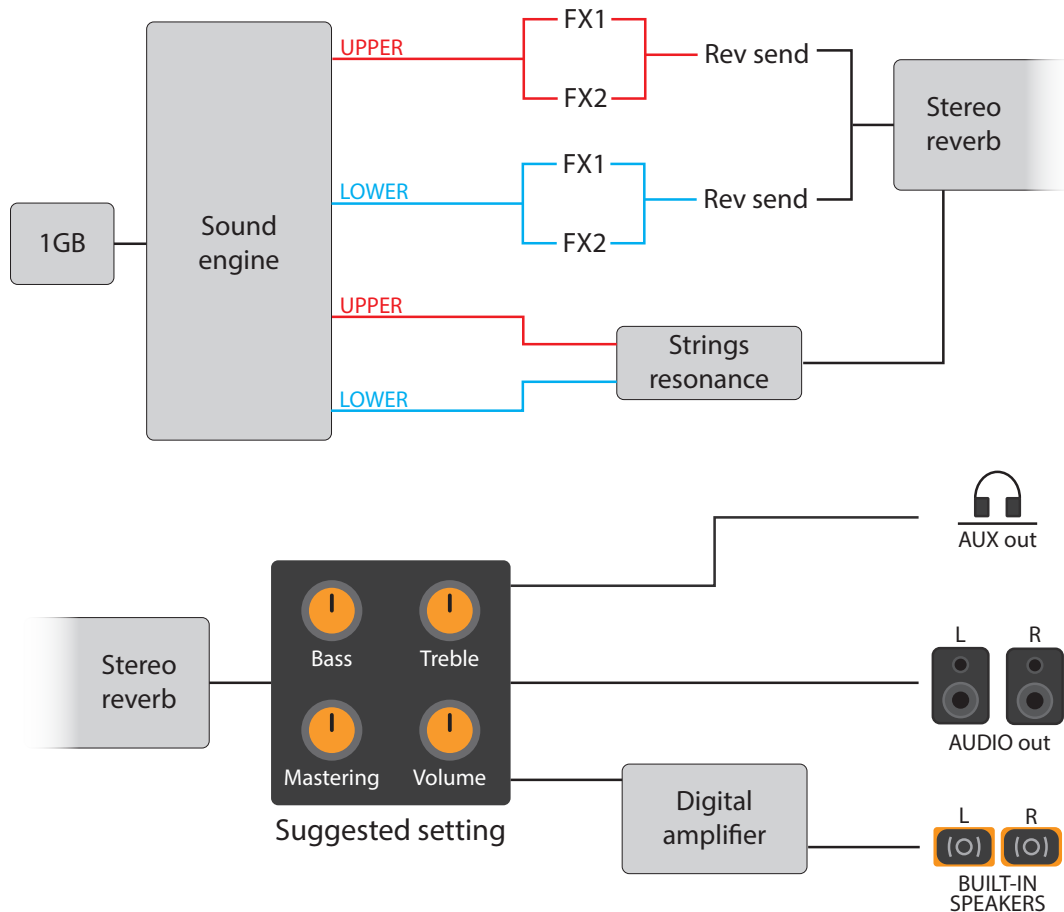
MIDI Modul mit 2 unabhängig programmierbaren Zonen

Anschlüsse: USB, MIDI In/Out, Audio L/R, Kopfhöreranschluss, Pedal 1+2, Netzanschluss

Anwendungsbeispiel



Funktionsdiagramm



Ein Überblick über die Funktionen des NUMA Compact 2:

Die leichtgewichtige Tastatur

Das NUMA Compact 2 bietet die neueste innovative Technologie von Fatar: die anspruchsvolle, gewichtete Tastatur TP9-Piano mit Aftertouch. Das NUMA Compact wiegt nur 7,1 kg und ist daher leicht zu transportieren und bietet darüber hinaus ein hervorragendes Spielgefühl für das Fatar berühmt ist.

**8 Sound-Bänke
88 Integrierte Sounds**

Sie können sofort beginnen die 88 hochqualitativen Sounds anzuspieldie sorgfältig gesampelt wurden. Erfahrene Keyboarder und Musiker wählten diese Klänge aus und waren am Design der praxisgerechten Bedienung des NUMA Compact 2 beteiligt. Daher ist das NUMA Compact 2 Ihr perfekter Partner auf der Bühne, im Studio oder zu Hause. 128 Stimmen max. Polyphonie sind verfügbar, um Tiefe und Ausdruck zu erzeugen. Sie können zwei Sounds kombinieren, indem Sie diese dem Unteren- und Oberen Tastaturbereich im Split- oder Layer-Modus zuordnen.

**FX1 - FX2- REV
Saitenresonanz**

Die zwei Doppel-FX-Prozessoren erlauben es, zwei verschiedene Effekte dem unteren- und oberen Tastaturbereich zuzuordnen. Zusätzlich zum Saitenresonanz-Effekt für alle Piano-Sounds und dem Stereo-Reverb, gibt es eine unendliche Vielfalt von Kombinationsmöglichkeiten.

**Mixer & Mastering Eingebaute
Verstärkung**

Lautstärke-, Bass-, Höhen- und Mastering-Regler stehen für die gewünschte Klangregelung zur Verfügung und mit den integrierten Lautsprechern mit 2x 10W Verstärkerleistung, können Sie das Instrument auch ohne externen Verstärker sofort anspielen.

Masterkeyboard Funktionen

Die Masterkeyboard-Funktionen des NUMA Compact 2 mit den zwei programmierbaren Zonen ermöglichen es Ihnen, andere MIDI-Geräte zu steuern, deren Sounds auszuwählen und den Pegel direkt von Ihrem NUMA Compact 2 aus anzupassen.

Audio-Anschlüsse

Neben dem Stereo- (L/R) Audioausgang und dem eingebauten Verstärkersystem verfügt der NUMA Compact 2 über einen zusätzlichen Kopfhöreranschluss. Ideal für Late-Night-Jam-Sessions, ohne die Nachbarn zu stören. Diese Verbindung kann auch als Zweit-Audio-Ausgang verwendet werden.

Der integrierte USB-Port ermöglicht es das NUMA Compact 2 an Ihren Computer anzuschließen und direkt mit Strom versorgt zu werden, ohne dass der externe Adapter (im Lieferumfang enthalten) benötigt wird. Sie können einen USB- und MIDI-Ausgang für die MIDI-Datenübertragung verwenden. Darüber hinaus sind die Daten der Firmware oder der Soundbibliothek über USB zugänglich. Bitte beachten Sie, dass das interne Verstärkersystem automatisch ausgeschaltet ist, wenn das Gerät über USB mit Strom versorgt wird, um übermäßigen Stromverbrauch oder einen Leistungsabfall zu vermeiden.

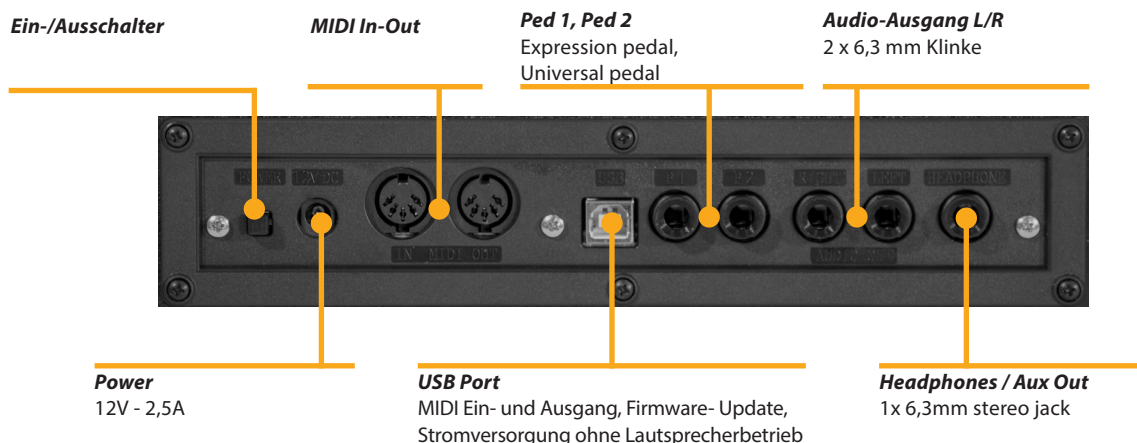
Numa Compact 2
Netzteil
CD Bedienungsanleitung

Interactive NUMA

USB <> Computer

Lieferumfang

Stromanschluss und Anschlussbuchsen



Stromanschluss Inbetriebnahme

Verwenden Sie den mitgelieferten Netzadapter, um das Numa Compact 2 an die Steckdose anzuschließen (oder verwenden Sie den USB-Anschluss). Schalten Sie das Gerät mit dem Netzschalter Numa Compact 2 ein, stellen Sie die Lautstärkeregler-, Bass- und Höhenregler auf die 12 Uhr Position und den Mastering-Regler auf Null-Minimum (die Mastering-Funktion wird in dieser Bedienungsanleitung später erklärt), um ein Übersteuern der Lautsprecher zu vermeiden.

USB Stromversorgung



Das Instrument kann auch über den USB-Port mit Strom versorgt werden, vorausgesetzt, dass der zur Verbindung mit dem Numa Compact 2 verwendete Computer genügend Strom über die USB-Buchse an das Numa Compact 2 liefert. Wenn das Numa Compact 2 mit Strom vom Computer versorgt wird, wird in den meisten Fällen der Verstärker und die internen Lautsprecher abgeschaltet, sobald der Strombedarf des Gerätes die Leistung der USB-Buchse des Computers übersteigt.

Expression / Universal Pedalanschlüsse

Verbinden Sie das (optionale) Pedal oder die Pedale mit den dazugehörigen Anschlussbuchsen mit der Bezeichnung Ped1 und Ped2. An der Buchse mit der Bezeichnung Ped 1 können Sie ein Studiologic VP Pedal (VP25 oder VP27) anschließen, typischerweise für die Lautstärkeregelung. An die Ped2-Buchse können Sie entweder ein einzelnes Fußtaster-Pedal, ein Volume-Expression-Pedal oder das Custom Triple Pedal SLP3-D anschließen, wie im entsprechenden Kapitel erläutert.

Audio Ausgänge

Wenn Sie externe Verstärkersysteme verwenden oder das Instrument aufnehmen möchten, schließen Sie den linken und rechten Audioausgang an die Eingänge Ihres Mischpultes oder Verstärker oder an Ihre Soundkarte mit geeigneten Kabeln an.

Der Kopfhörerausgang kann mit einem Kopfhörer verbunden oder als zusätzlicher Audio-Hilfsausgang verwendet werden, entsprechend der Einstellung der zugehörigen GLOBAL-Edittierfunktion (in diesem Handbuch beschrieben). Den Hilfs-Audio-Ausgang können Sie verwenden, um das Instrument an einen Subwoofer oder ein zusätzliches Verstärkersystem anzuschließen, während die L / R-Ausgänge für Aufnahmen oder andere Audio-Anschlüsse verfügbar sind.

Wenn Sie das Numa Compact 2 zum ersten Mal verwenden, empfehlen wir Ihnen, den Lautstärkeregler auf nicht mehr als die Hälfte zwischen 0 und Maximal zu drehen. Während Sie spielen, können Sie die Lautstärke des ausgewählten Sound einstellen. Wenn Sie den Lautstärkeregler betätigen, werden alle Audio- und Kopfhörerausgänge gleichzeitig angespasst.

ACHTUNG:

Um Hörschäden zu vermeiden, sollten Sie - wie bei allen Audiogeräten, die Verwendung des Numa Compact 2 bei hoher Lautstärke über längere Zeit vermeiden.

Zur Datenübertragung über USB verbinden Sie das Numa Compact 2 mit einem USB-Kabel mit Ihrem Computer. Wenn Sie das Numa Compact 2 zum ersten Mal anschließen, wird es von Ihrem Computer automatisch erkannt und der entsprechende Treiber wird vom Betriebssystem installiert (class compliant).

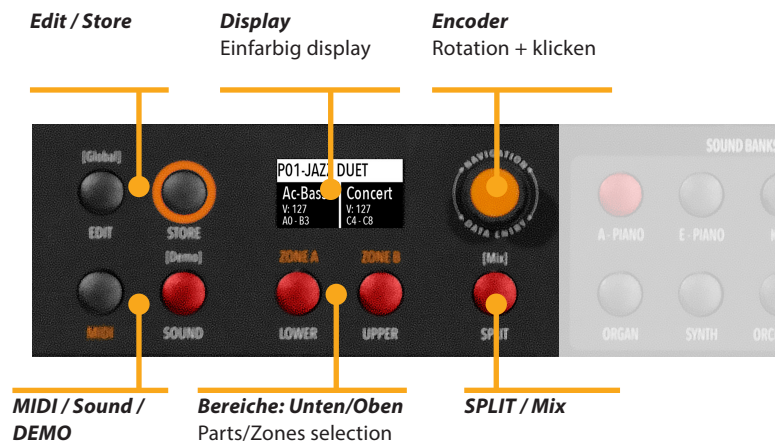
Kopfhöreranschluss

Lautstärkeregelung



USB

Bedienfeld - Display und Navigation



Die Haupt-HOME-Anzeige des Numa Compact 2 wird beleuchtet sobald das Gerät eingeschaltet wird und ist in 3 Hauptbereiche eingeteilt: Der obere Bereich zeigt die aktuelle Programmnummer und den Programmnamen an, die linken und rechten unteren Bereiche beziehen sich auf die unteren (lower) und oberen (upper) Soundbereiche im SOUND-Modus und auf die Zone A und die Zone B im MIDI-Modus.

Um zu navigieren und den Cursor zu bewegen (Cursorposition auf dem Display) haben Sie zwei Regelmöglichkeiten zur Auswahl:

- Klick auf den Encoder: Mit dem Cursor navigieren Sie zu den 3 Hauptpositionen: Programm, Lower, Upper
- Durch Drücken der SOUND- oder MIDI-Tasten bewegt sich der Cursor nach Oben.
- Durch Drücken von LOWER oder UPPER, bewegt sich der Cursor zu den entsprechenden Bereichen



Sobald der Cursor auf dem Programmbereich steht, drehen Sie den Encoder, um die verschiedenen Programme auszuwählen. Wenn der Cursor auf dem LOWER / Upper Bereich steht, drehen Sie den Encoder, um die Lautstärke zu regeln.

Sound / MIDI

Die beiden Tasten SOUND und MIDI schalten zwischen den beiden Ansichten und den dazugehörigen Regelmöglichkeiten um.

Sobald die SOUND-Taste gedrückt und beleuchtet ist, kann der Benutzer die SOUND-Bereiche, die Display-Einstellungen und die Parametereinstellungen bearbeiten.

Sobald die MIDI-Taste gedrückt und beleuchtet ist, zeigt das Display den Status der MIDI-Zonen A und B an und der Benutzer kann auf alle verfügbaren Parameter zugreifen, die Funktionen und Werte bearbeiten.

Wenn Sie die SOUND-Taste längere Zeit gedrückt halten, werden die acht DEMO-Songs (eine für jede Sound-Bank) gestartet. Die DEMO-Songs werden dann nacheinander abgespielt. Mit einem Klick auf die entsprechende Sound-Bank können Sie auch den zugehörigen Demo-Song auswählen. Am Ende jedes Demo-Songs wird der nächste Demo-Song für die weiteren Sound-Bänke gestartet und in einer kontinuierlichen Schleife wiederholt.

Dieser Taster steuert die SPLIT-Funktion in Echtzeit. Der Parameter läßt sich mit Hilfe der GLOBAL EDIT-Funktion „Split Point“ und der PART EDIT-Funktion „Split Assign“ je nach Wunsch und Situation anpassen. Diese Möglichkeit gestattet es, die SPLIT-Funktion sofort zu aktivieren und zu deaktivieren und den oberen und unteren Tastaturbereich im Layer-Modus über den gesamten Tastaturumfang zu spielen.

Die SPLIT-Taste kann auch als Abkürzung verwendet werden, um die MIXER-Funktion auszuwählen, indem man sie für einige Sekunden gedrückt hält.

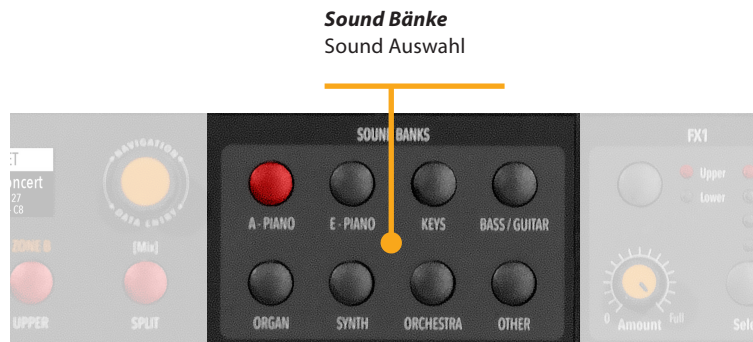
Das Numa Compact 2 verfügt über 99 Speicherplätze, die „Programs“ genannt werden. In diesen können Sie alle SOUND-, FX1 / 2-Einstellungen, Intensität, Funktionen, Splitpunkte und alle editierbaren Parameter auch für die MIDI ZONEN mit einem NAMEN für jedes Programm abspeichern. Die einzigen nicht-speicherbaren Funktionen sind VOLUME, BASS, TREBLE und MASTERING, da es sich um reine Echtzeit-Kontrollen handelt, die nicht mit einem bestimmten Programm zusammenhängen. Alle Programme können per USB gesendet und empfangen werden, wie im entsprechenden Abschnitt dieses Handbuchs beschrieben, im Abschnitt GLOBAL EDIT.

Demo

SPLIT

STORE / Speicherplätze

Sound Bänke und Sound Auswahl



Sound modus

Im SOUND-Modus können die 8 Soundbänke über die Tasten ausgewählt werden und leuchten sobald der jeweilige Sound aktiv ist. Jede Soundbank kann mehrere Sounds haben, die in Gruppen von 4 Sounds für jede Soundbank organisiert ist. Wird eine Soundbank ausgewählt, sieht man die Sounds dieser Bank auf dem Display. Den aktuell gewählten Sound und die weiteren Sounds dieser Soundbank, finden sich im oberen rechten Bereich des Displays und den aktuell ausgewählten Sound mit umgekehrter Farbgebung.

Um einen anderen Sound der aktuellen Bank auszuwählen, drehen Sie den Encoder und alle verfügbaren Sounds werden nacheinander von der ersten zur letzten Seite der Bank angezeigt und ausgewählt. Die Auswahl kann während ein Fenster temporär angezeigt wird (ca. 5 Sekunden) erfolgen und der zuletzt gewählte Sound jeder Bank wird automatisch gespeichert. Wenn Sie eine Bank auswählen, geht der Fokus automatisch auf den zuletzt gewählten Sound, um die Soundwahl einfacher und schneller zu gestalten. Dank dieser Funktion haben Sie eine automatische Einstellung Ihrer bevorzugten Sounds für jede Bank.



Sounds

Die Werkliste der SOUNDS ist unten aufgeführt. Bitte beachten Sie, dass die Spezifikationen Änderungen unterliegen und die Soundliste in verschiedenen oder zukünftigen Firmwareversionen leicht geändert oder aktualisiert werden kann.

A.PIANO

Concert
Stage
Vintage
Studio
Rock
Upright
E-Grand1
E-Grand2

E.PIANO

EP-Mark1
Wurlix
E-Pno1
E.Pno2
DxFm1
DxFm2
DxFm3
DxFm4

KEYS

Clavi
Harpsi
Vibes
Marimba
FunKlav
Cembalo
ReedOrg
GloKeys

BASS/GUITAR

Ac-Bass
El-Bass
Slap
Plucked
Ny-Guitar
El-Guitar
Ac-Guitar
Jz-Guitar
2 Guitars
12 Strings
BassRide1
BassRide2

ORGANS

JazzOrg1
JazzOrg2
DrawbVib
AllDrawb
888-Pure
888-Scan
MildSet
AllEven
V-Org
F-Org
Pipe1
Pipe2

SYNTH

SynthPad
SynHouse
SweetSaw
WowPad
Soloist
Funky
SynBass1
SynBass2
Jump
SynBrass
Square
Cluster

ORCHESTRA

Strings1
Strings2
Horns
Brass
Baroque
BigBand
BrassFall
SaxBand
TenorSax
JazzFlute
Trumpet
Oboe

OTHER

Cassotto
Accordion
Musette
Harmonica
ChoirAh
ChoirOh
ChoirUh
ChoirSint
Bouzouki
Kanoun
Oud
Cawala
Mizmar
Nai
StndKit
WorldKit

Effekte



FX1 - FX2

Die 2 Doppeleffektprozessoren erlauben es, den unteren und oberen Abschnitten 2 getrennte Effekte zuzuweisen, und zwar insgesamt 4 verschiedene Effekte zur gleichen Zeit. Zum Bei-spiel kann der FX1 auf Drive für den oberen Bereich und gleichzeitig auf Chorus für den unteren Bereich gestellt werden. Mit der Auswahltaste (Select) für den oberen / unteren Tastaturbereich können Sie zwischen diesen Tastaturbereichen umschalten und den Effekt für diesen Bereich anzeigen lassen oder diesen auswählen. Zusätzlich sehen oder ändern Sie die zugehörige FX mit den 2 Haupt-LOWER- und UPPER-Tasten unterhalb des Displays.

Sie können sich die Sound- und FX-Struktur und den Signalfluss, wie folgt veranschaulichen:

Upper (oberer Tastaturbereich) > FX1 (einer der vier Effekte) > FX2 (einer der vier Effekte)

> Reverb (send ist programmierbar in EDIT)

Lower (unterer Tastaturbereich) > FX1 (einer der vier Effekte)

> FX2 (einer der vier Effekte) > Reverb (send ist programmierbar in EDIT)

Amount-Regler: Die 2 Potentiometer steuern den Anteil des ausgewählten Effekts, wie das "Wet" / "Dry"-Verhältnis (für Modulationseffekte wie der Chorus) oder andere Parameter, wie die Verzerrung des DRIVE-Effekts.

Die FX Autoset-Funktion (eine Echtzeit-Funktion, die auch im GLOBAL Edit-Bereich erklärt wird) speichert automatisch den zuletzt ausgewählten FX 1-2 für jeden Sound, ohne dies extra abspeichern zu müssen.

Diese Echtzeit-Funktion steuert auch die Verknüpfung zwischen dem Stick 2 und den Sound- oder FX-Reglern (Modulations- oder Effektgeschwindigkeit etc.) logisch und automatisch. Wenn ein bestimmter FX auf einem Abschnitt ausgewählt wird, steuert der Stick 2 einen bestimmten Parameter, wie die Langsam- / Schnellgeschwindigkeit des Rotary oder die Geschwindigkeit und die Rückmeldung des Phaser-Effekts.

Die Steuerung wird auch automatisch entsprechend der Fokusposition eingestellt:

Wenn man den unteren Tastaturabschnitt (Lower) ohne Effekt (FX) nutzt und den Fokus auf Lower hat, wird der Stick 2 die Modulation steuern. Wenn der Fokus auf Upper liegt und Sie einen Orgelklang mit Rotary verwenden, steuert der Stick 2 die Rotary Slow / Fast Geschwindigkeit.

Sobald die FX Autoset-Funktion ausgeschaltet ist (siehe GLOBAL Edit), wird die Funktion des Sticks 2 im EDIT Bereich, nicht automatisch zugeordnet und Sie können alle Einstellungen in jedem Programm abspeichern.

Wenn der FX Autoset ausgeschaltet ist, wird die automatische Zuordnung zwischen jedem Sound und dem zuletzt ausgewählten FX deaktiviert und die FX-Auswahl wird nur manuell oder kontrolliert durch die FX-Einstellung in jedem der 99 Programme gespeichert.

Zusätzlich zu den leistungsstarken FX1-2 Doppeleffektprozessoren verfügt die ACOUSTIC PIANOS Soundbank über einen STRINGS RESONANCE (Saitenresonanz) Effekt, der vom Parameter des GLOBAL EDIT gesteuert wird.

Dieser Effekt, der mit den Erfahrungen der NUMA STAGE und CONCERT-Instrumente entwickelt wurde, fügte den Klavierklängen einen noch realistischeren Effekt hinzu und reproduziert die Resonanzen der echten Saiten und des Resonanzbodens des akustischen Instruments.

FX Autoset

STRINGS RESONANCE (Saitenresonanz für die Akustik-Piano Sounds)

Global edit (Allgemeine Einstellungen)

Um die GLOBAL-Bearbeitung zu aktivieren, halten Sie die EDIT-Taste für einige Sekunden gedrückt; Sie finden verschiedene Seiten (im oberen rechten Bereich des Displays angezeigt) mit der Funktion, die das Instrument beeinflusst, unabhängig davon, welches Programm ausgewählt ist. Um die Funktion zu verlassen, drücken Sie erneut die EDIT-Taste und alle Einstellungen werden automatisch gespeichert.

Wenn sich der Fokus (Cursor) im oberen Bereich des Displays befindet, können Sie die verschiedenen Seiten anwählen indem Sie den Encoder drehen. Klicken Sie auf den Cursor, wird der Fokus auf den Parameter verschoben und drehen Sie den Encoder, um den entsprechenden Wert zu ändern.

Die Hauptfunktionen von GLOBAL EDIT sind:

TRANSPOSER (Transposition)



Sie können das Instrument auf eine beliebige andere Tonhöhe transponieren.

Klicken Sie auf den Encoder, um den Cursor auf das Eingabefeld zu bewegen. Drehen Sie ihn, um den gewünschten Transpositionsbereich einzugeben (-6 bis +5).

GLOBAL TUNER



Diese Funktion ermöglicht es, das Instrument zu "stimmen", falls Sie mit einem anderen Instrument zusammen spielen, welches nicht auf den Standard abgestimmt ist (A = 440 Hz).

VELOCITY CURVE



Sie können eine Geschwindigkeitskurve (velocity curve) wählen, je nach Geschmack und Spieltechnik. Es gibt 3 vordefinierte Kurven (SOFT / NORMAL / HARD) und eine programmierbare FIXED Velocity Einstellung (1 bis 127).

FIXED CURVE



Sie können hier den festen Geschwindigkeitswert (fixed curve) von 1 bis 127 einstellen, wenn die FIXED velocity Einstellung ausgewählt ist.

STRINGS RESONANCE (DAMPER EFFECT)



Hier können Sie die Intensität des STRINGS RESONANCE Anteils steuern, der allen akustischen PIANO-Sounds einen realistischeren Effekt verleiht.

Bitte beachten Sie, dass der CONCERT GRAND Sound auch eine eigene "release und resonance" Charakteristik hat, die nicht von diesem Parameter gesteuert werden kann.

HEADPHONES (MODE)



Wenn der Parameter auf AUTO ON eingestellt ist, schaltet das Anschließen des Kopfhörers das interne Verstärkersystem automatisch ab. Sobald der Parameter auf AUTO OFF gestellt ist, ist das interne Verstärkersystem auch dann aktiv, wenn eine Buchse in den Kopfhörer gesteckt ist. Dadurch kann die Kopfhörerbuchse als zusätzlicher Hilfsausgang, zur Aufzeichnung oder zum Anschluss an einen aktivverstärkten Subwoofer zusätzlich zu den internen Lautsprechern verwendet werden.

Während der PED1 Anschluss für Expression- oder Volumepedale geeignet ist, kann der PED2 Anschluss so programmiert werden, dass fast alle Pedaltypen angeschlossen werden können:

- Sustain-Pedal Öffner
- Sustain-Pedal Schließer
- Expression-Pedal
(Volume Funktion, Pedale mit Potentiometer und Stereo-Klinkenstecker)
- SLP3-D Dreifachpedal Soft/Sostenuto/Sustain mit Halbdämpfer-Funktion

PEDAL 2



FX AUTOSET



Wenn die Funktion auf AUTO ON eingestellt ist, sind folgende automatische Funktionen aktiviert:

Die zuletzt ausgewählten Effekte (FX1-2) für jeden Klang werden vom Instrument gespeichert, so dass ein Klang und der damit verbundene bevorzugte Effekt ausgewählt werden kann, ohne dass dies extra abgespeichert werden muss. Der FX Autoset speichert nicht nur die Effekte, die der Benutzer für jeden Sound zuweist, sondern auch den Wert der vom Stick 2 gesteuerten Wert für jeden Effekt.

Die STICK 2-Steuerung wird entsprechend der Einstellung und der Position des FOCUS (Cursors) automatisch einer Funktion zugewiesen.

Wenn der Fokus auf UPPER (oberer Tastaturbereich, als Beispiel) steht und Sieden ROTARY-Effekt ausgewählt haben und der Organsound mit dem ROTARY-Effekt aktiviert ist, steuert der STICK2 die Rotary SLOW / FAST-Geschwindigkeit.

Wenn Sie den Fokus auf LOWER (unterer Tastaturbereich) bewegen (indem Sie auf den Encoder klicken oder die LOWER-Taste drücken) und Sie einen weiteren FX auf Lower haben, steuert der STICK2 den LOWER-Effekt.

Wenn Sie keinen FX auf einem Abschnitt (LOWER oder UPPER) haben und du den Fokus darauf verschieben, steuert der STICK 2 die MODULATION oder den gewählten Abschnitt.

Ein typisches Beispiel: ORGAN Sound auf UPPER (oberer Tastaturbereich) mit Rotary Effekt und einem BASS Sound auf LOWER (unterer Tastaturbereich) ohne Effekte: Durch Bewegen des Cursors auf UPPER, steuert der Stick 2 die Rotary Geschwindigkeit. Durch Bewegen des Cursors auf LOWER, steuert der STICK2 die Modulation.

Hinweis: Diese automatische Funktion ist eine beliebige Auswahl die durch das Instrument erfolgt.

Möchte man alle Parameter direkt und manuell steuern, kann die Funktion auf OFF gestellt werden und die Funktion des STICK 2 im zugehörigen EDIT Bereich ausgewählt werden und die gewünschte Einstellung in einem PROGRAM (Speicherplatz) abgespeichert werden.

Mit dieser Funktion können Sie die Werkseinstellungen (Factory Reset) wieder herstellen. Die Benutzereinstellungen werden gelöscht und alle Einstellungen auf den ursprünglichen Status zurückgesetzt. Bitte beachten Sie, dass dies zum Verlust der benutzerdefinierten Einstellungen oder der Programmierung führen kann. Diese Funktion sollte sehr sorgfältig und nur im Bedarfsfall benutzt werden. Um den Benutzer vor einer unerwünschten Rücksetzung zu schützen, erscheint bei der Rücksetzung des Gerätes eine Warnung YES/NO (JA/NEIN), um die Wiederherstellung der Werkseinstellungen zu bestätigen.

Gehen Sie folgendermaßen vor, um die Firmware zu aktualisieren:

- Laden Sie die Firmware von www.studiologic-music.com herunter und speichern Sie diese in einem Ordner.
 - Verbinden Sie das Gerät mit der Stromversorgung und dann mit Ihrem Computer über das USB-Kabel.
 - Vergewissern Sie sich, dass das Gerät von Ihrem Computer erkannt wurde und als MIDI Out-Gerät in den entsprechenden Einstellungen ausgewählt ist.
 - Schalten Sie das Instrument ein, während Sie die A0 gedrückt halten (erste weiße Taste links) und D1 (vierte weiße Taste von links).
- Im Display erscheint die Meldung "Firmware Upload".
- Öffnen Sie ein Programm, das in der Lage ist, eine Midi-Datei "abzuspielen" (z.B. [MIDI-Ox](#) für PC, [QMidi](#) für Mac etc.).

MIDI-Ox:

- Öffnen Sie MIDI-Ox.
- Wählen Sie in der Menüleiste Aktionen > MIDI abspielen ..., MIDI Bar wird geöffnet.
- Klicken Sie im MIDI BAR-Fenster auf "Select MCI Port" und wählen Sie das Numa Compact 2 aus.
- Öffnen Sie in der MIDI BAR die Datei, die Sie heruntergeladen haben.
- Drücken Sie die Play-Taste und warten Sie auf das Ende des Vorgangs.
- Wenn das Numa Compact 2 Display "UPLOAD FINISHED" anzeigt, starten Sie das Gerät neu (aus und wieder einschalten).

QMidi:

- Öffnen Sie QMidi
- Wählen Sie die Firmware-Datei aus, die Sie heruntergeladen haben.
- Wählen Sie in der Menüleiste QMidi > Audio / MIDI-Einstellungen und wählen Sie Numa Compact 2 als Ausgabegerät.
- Im drücken Sie im Hauptfenster die Play-Taste und warten Sie bis zum Ende des Vorganges.
- Wenn das Numa Compact 2 Display "UPLOAD FINISHED" anzeigt, starten Sie das Gerät neu (aus und wieder einschalten).

FACTORY RESET



FIRMWARE VERSION AND UPDATE



PROGRAMME SENDEN/EMPFANGEN



Diese Funktion ermöglicht das Senden oder Empfangen aller Programme auf Ihren Computer (PC oder Mac). Sobald die Funktion ausgewählt ist, können Sie durch Drehen des Encoders SEND (Senden) oder RECEIVE (Empfangen) auf folgende Weise auswählen.

WINDOWS

Sie können zur Datenübertragung ein Programm wie z.B. "MIDI-Ox" verwenden. Stellen Sie sicher, dass das Numa Compact 2 von Ihrem Computer (Überprüfen Sie die USB / MIDI- und die MIDI-Ox- Einstellungen) erkannt wird.

Datenübertragung an den Computer:

- Verbinden Sie das Numa Compact 2 mit Ihrem Computer über USB.
- Öffnen Sie MIDI-Ox und wählen Sie View / Sysex aus.
- Wählen Sie im Sysex-Fenster, Sysex > Receive manuelle Übertragung.
- Klicken Sie auf den Encoder, wenn die GLOBAL-Funktionen SEND aktiv ist, bestätigen Sie mit YES (JA) und warten Sie, bis der Vorgang beendet ist.
- Speichern Sie die im MIDI-Ox Fenster angezeigten Bulk-Daten in einer Datei.
- Wenn die Übertragung abgeschlossen ist, wählen Sie im Anzeigefenster > Speichern unter...

Datenübertragung auf das Instrument:

- Wählen Sie im Fenster PROGRAMS (SEND / RECEIVE) RECEIVE aus.
- Öffnen Sie MIDI-Ox, im Sysex-Fenster wählen Sie Befehl > Fenster > Datei laden und navigieren Sie zum dem Speicherort, in dem Sie die Datei gespeichert haben.
- Wählen Sie das Befehlsfenster > Sysex senden und warten Sie bis der Vorgang abgeschlossen ist.

MAC OS

Sie können zur Datenübertragung ein Programm wie z.B. "SysEx Librarian" verwenden. Stellen Sie sicher, dass das Numa Compact 2 von Ihrem Computer (Überprüfen Sie die USB / MIDI- und die SysEx Librarian - Einstellungen) erkannt wird.

Datenübertragung an den Computer:

- Öffnen Sie SysEx Librarian.
- Wählen Sie in der Symbolleiste "Numa Compact 2" als Gerät aus.
- Klicken Sie auf die "Record many" - Taste in SysEx Librarian.
- Klicken Sie auf den Encoder, sobald die GLOBAL-Funktion SEND aktiv ist, bestätigen Sie mit YES (JA) und warten Sie, bis der Vorgang abgeschlossen ist.
- Sobald die Übertragung erfolgt ist, drücken Sie die Taste "Done" im Programm SysEx-Librarian.

Datenübertragung auf das Instrument:

- Drücken Sie im Programm SysEx-Librarian die Schaltfläche "Add" (Hinzufügen) in der unteren linken Ecke des Fensters und wählen Sie die .syx-Datei, die Sie übertragen möchten. Diese Datei wird nun zur Liste der .syx-Dateien im Programm SysEx Librarian hinzugefügt.
- In der Symbolleiste von SysEx Librarian befindet sich ein Popup-Menü Namens "Destination".
- Klicken Sie darauf und wählen Sie den MIDI-Port, über den Sie senden möchten.
- Wählen Sie auf dem Numa Compact 2 die Funktion RECEIVE (Empfangen) aus.
- Im Programm SysEx Librarian drücken Sie die "Play"-Taste und warten, bis die Übertragung abgeschlossen ist.

Program edit (Programmbearbeitung)

Sobald der Fokus (Cursor) im oberen Teil des Displays auf Programmauswahl steht, wird durch Drücken der EDIT-Taste die Programmbearbeitung für die Parameter und Einstellungen aktiviert.



PROGRAM NAME



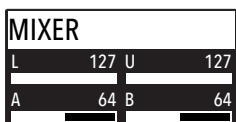
Nachdem Sie diese Funktion ausgewählt haben, klicken Sie auf den Encoder und verändern Sie die Buchstaben oder Nummer/Zeichen durch Drehen. Ein kleines Dreieck zeigt an, welche Stelle Sie gerade bearbeiten. Um den neuen Namen zu bestätigen oder den vorherigen zu behalten, drücken Sie STORE und ein Popup-Fenster wird Sie bitten, die Änderung zu bestätigen oder nicht, drehen Sie den Encoder auf YES oder NO (JA oder NEIN) und bestätigen Sie mit einem Klick.

SPLIT POINT



Mit dieser Funktion können Sie den SPLIT-Punkt für jedes PROGRAM (Programm) wählen, indem Sie den Encoder drehen, bis die gewünschte Note angezeigt wird. Bitte beachten Sie, dass die Instrumententastatur nach internationalem Standard von A0 (erste Taste links) bis C8 (letzte Taste rechts) benannt ist und folglich das mittlere C unterhalb der Anzeige C4 ist. Die Referenztonhöhe A = 440 Hz liegt bei A4. Dies gilt für alle Sounds, welche sich am Standard Tonumfang eines Pianos orientieren. Nur einige ORGAN-Sounds spielen eine Oktave darunter, wenn sie auf einer 16' Zugriegel Vintage Tone-Wheel-Orgel oder der verwandten klassischen 16' Kirchenorgel basieren. In diesen Fällen ist der Referenzton des ausgewählten Sounds A4 220 Hz, also eine Oktav unter 440Hz.

MIXER



Der Mixer erlaubt es, alle vier Bereiche und Zonen (LOWER / UPPER / ZONE A / ZONE B) sofort auf einer einzigen Seite zu steuern. Diese Funktion kann auch mit einer Taste aufgerufen werden, wobei die SPLIT [Mix]- Taste gedrückt gehalten wird.

Part edit

Wenn der Fokus (Cursor) auf einem der Teilbereiche (Part) liegt und das Gerät sich im SOUND-Modus befindet (die Taste SOUND ist ausgewählt und beleuchtet), gelangen Sie in den PART-Editiermodus. Wenn Sie PART-Edit gewählt haben, können Sie immer die LOWER- oder UPPER-Tasten drücken, um den zu bearbeitenden Teilbereich auszuwählen, oder klicken Sie auf den Encoder.



PART EDIT beinhaltet folgende Parameter:

Durch drehen des Encoders (nachdem Sie den Fokus (Cursor) auf den Parameter verschoben haben, indem Sie auf den Encoder klicken) können Sie im ausgewählten Teilbereich die Lautstärke (Volume) in einem Bereich von 0 bis 127 regeln.

VOLUME

PART EDIT [1/10]	
VOLUME	VOLUME
127	127

Sobald Sie den SPLIT-Punkt für das aktuelle PROGRAM (Programm) gewählt haben (bez. PROGRAM EDIT), können Sie entscheiden, wo der ausgewählte LOWER- oder UPPER-Abschnitt (entweder für die SOUND- und MIDI-Zonen) auf eine völlig unabhängige Weise spielen soll:

SPLIT ASSIGN

PART EDIT [2/10]	
SPLIT ASSIGN	SPLIT ASSIGN
TO LEFT	TO RIGHT

TO LEFT (Linker Bereich): Der Teil auf der linken Seite der Tastatur spielt (von A0 bis zur SPLIT Note).

TO RIGHT (Rechter Bereich): Der Teil auf der rechten Seite der Tastatur spielt (von der SPLIT Note zu C8).

TO ALL (Gesamter Bereich): Die Tastatur ohne Splitpunkt spielen.

Diese Funktion erlaubt viele musikalische Kombinationen. Einige Beispiele:

PIANO auf der rechten Seite + BASS auf der linken Seite, des Splitpunkts.

PIANO und STRINGS auf der rechten Seite + MIDI ZONES auf der linken Seite (Steuerung externer Geräte).

ORGAN auf der ganzen Tastatur (TO ALL) und CHOIR nur auf der rechten Seite.

Selbst mit einem SPLIT-Punkt (programmierbar für jedes PROGRAM) gibt es fast hundert mögliche Einstellungen unter Berücksichtigung des Status und der Kombination von LOWER + UPPER + ZONE A + ZONE B und den SPLIT-Einstellungen, die durch diese Funktion ermöglicht werden.

TRANSCOPE

PART EDIT [3/10]	
TRANSCOPE	TRANSCOPE
0	0

Diese Funktion erlaubt es, einen Bereich zu transponieren. Anders als der GLOBAL TRANSPOSER, der das gesamte Instrument beeinflusst, kann diese Funktion unabhängig für jeden SOUND-Bereich oder MIDI-Zone eingestellt und in jedem PROGRAM mit unterschiedlichen Werten gespeichert werden. Interessante Kombinationen erhält man durch transponieren eines Sounds mit musikalischen Intervallen, (wie eine unterer Quint = minus 5 Halbtöne), was für gewöhnlich als "Cluster" mit festen Intervallen bekannt ist. Wählen Sie, einen TRUMPET Sound auf UPPER und einen SAX Sound auf LOWER aus, und stellen Sie den SAX Sound 5 Halbtöne tiefer in einer typischen JAZZ Einstellung ein.

OCTAVE

PART EDIT [4/10]	
OCTAVE	OCTAVE
0	0

Sie können die Oktave (Intervalle von jeweils 12 Halbtönen) einzeln für jeden Bereich einstellen. Normalerweise muss man den LOWER (Unteren) Bereich ein oder zwei Oktaven erhöhen, wenn man Akkorde in einer passenderen Tonhöhe spielen möchte. Andererseits können Sie manchmal einen besseren Klang erzielen, sobald die SPLIT-Funktion aktiviert ist und Sie den UPPER (Oberen) Bereich ein oder zwei Oktaven nach unten regeln. Probieren Sie einfach die Einstellung aus die Sie bevorzugen und speichern Sie diese dann im aktuell verwendeten PROGRAM (Speicherplatz).

REV SEND

PART EDIT [5/10]	
REV SEND	REV SEND
64	64

Diese Funktion erlaubt es, die Signalmenge, die an den REVERB-Prozessor gesendet werden soll, unabhängig für den unteren Tastaturbereich (LOWER) und den oberen Tastaturbereich (UPPER) zu regeln und mit unterschiedlichen Einstellungen für jedes PROGRAM(M) abzuspeichern. Eine typische Einstellung: Sie SPLIT(TEN) die Tastatur und legen einen BASS-Sound auf den unteren Tastaturbereich, möchten die Menge an REVERB auf dem linken unteren Teil reduzieren oder minimieren oder die Einstellung auch auf dem oberen (UPPER)-Teil regeln, um den gewünschten Effekt zu erhalten. Das MIX-Potentiometer, auf dem Bedienfeld, ändert den allgemeinen Hall-Mix (Dry / Wet) für jeden gewählten Hall-Typ oder Sende-Wert.

PEDAL 1 - PEDAL 2

PART EDIT [6/10]	
PEDAL 1	PEDAL 1
ON	ON

Hier können Sie entscheiden, ob die Pedale für jeden Abschnitt aktiviert sind (UPPER / LOWER oder ZONE A und ZONE B, sobald die MIDI-Taste aktiviert ist).

Wie für die Pedale können auch die Sticks separat für die Bereiche und Zones aktiviert werden; Bitte beachten Sie, dass der Stick 2 automatisch auf AUTO gesetzt wird, wenn die entsprechende FX-AUTOSET-Funktion im GLOBAL EDIT-Bereich auf ON gesetzt ist.

Um die Stick 2-Zuordnung manuell zu steuern, können Sie den FX-AUTOSET auf OFF stellen und die Funktion kann ein- oder ausgeschaltet und in den Programmen gespeichert werden.

Dieser Parameter aktiviert oder deaktiviert die Aftertouch-Funktion des ausgewählten Bereiches oder der Zone. Die Funktion des Aftertouch ist in den meisten Fällen der Stick 2 Modulationsregelung ähnlich oder gleich und fügt dem Sound eine Art von Vibrato oder ähnlicher Modulation hinzu, je nach Einstellung. Im Normalfall stellen Sie den Aftertouch auf ON für den oberen Bereich (UPPER), der üblicherweise für die meisten Musikstücke oder das Solo verwendet wird, während der untere Bereich (LOWER) normalerweise mit Begleitungen oder Basslinien verbunden ist, wenn die SPLIT – Funktion aktiv ist.

STICK 1 - STICK 2

PART EDIT [8/10]

STICK 1 ON	STICK 1 ON
---------------	---------------

AFTERTOUCH

PART EDIT [10/10]

A.TOUCH ON	A.TOUCH ON
---------------	---------------

MIDI

Mit dem NUMA Compact 2 können Sie 2 separate MIDI-Zonen mit allen zugehörigen Parametern steuern. Das Ergebnis kann im aktuellen PROGRAM(M) zusammen mit den Einstellungen der Tastaturbereiche (LOWER- und UPPER) mit einem gemeinsamen SPLIT-Punkt und separaten Einstellungen abgespeichert werden. Gehen Sie die Funktionen durch in dem Sie die MIDI-Taste auswählen und die EDIT-Taste aktivieren: Der Wert der aktuellen Funktion wird auf dem Display angezeigt und kann eingestellt werden, in dem Sie den Encoder drehen. Wenn Sie den Encoder drehen, sobald die MIDI-Taste leuchtet, können Sie die ausgewählte MIDI-Zonenlautstärke direkt ändern.

Program edit

Das PROGRAM(M) EDIT, im entsprechenden Kapitel erläutert, ist für SOUND und MIDI zuständig; Es bezieht sich auf allgemeine Parameter, die sowohl der SOUND- als auch der MIDI-Sektion zugeordnet sind. Mit den folgenden ZONE EDIT-Kapiteln können Sie die spezifischen MIDI-Zonenparameter nach Ihrer Wahl einstellen und sie im selben Programm unter gleichem Namen und Nummer mit allen anderen Parametern für die internen SOUNDS abspeichern.

Zone edit

Wenn der Cursor (Focus) auf einer der Zonen steht und Sie im MIDI-Modus sind (die MIDI-Taste ausgewählt und beleuchtet), gelangen Sie in den ZONE-Editiermodus; Sobald die ZONE(N)-Bearbeitung ausgewählt wurde, kann man immer die ZONE A- oder ZONE-B-Tasten drücken, um die zu bearbeitende Zone auszuwählen oder auf den Encoder klicken, um den Cursor (Focus) auf alle weiteren Instrumentenfunktionen zu bewegen.



ZONE EDIT umfasst folgende Parameter:

PROGRAM CHANGE

ZONE EDIT [1/13]	
PRG CHG	PRG CHG
0	0

Hier können Sie die Programmwechselnummer (Program Change) des zu steuernden Gerätes oder Klangerzeugers eingeben, wobei auf die jeweilige Soundbibliothek des angeschlossenen Gerätes / vst / sound Generators Bezug genommen wird. Der Regelbereich liegt bei 1-127.

LSB - MSB

ZONE EDIT [2/13]	
BANK LSB	BANK LSB
0	0

LSB steht für Least significant Byte, MSB steht für Most significant Byte und sie erlauben es, mehr Bänke zu regeln und auszuwählen als die Standard 127 Programmänderungen (Program Changes) oder viele andere Funktionen, die durch die MIDI-Standards definiert sind. Um die korrekten Werte einzugeben, müssen Sie sich auf das Implementierungsdiagramm (MIDI implementation chart) des zu steuernden Gerätes beziehen. In diesem wird jeder Sound mit den MIDI-Daten definiert, um ihn auszuwählen und zu regeln.

Sie können den MIDI-Kanal (Wert 1-16) für jede Zone auswählen, um zwei verschiedene externe Geräte oder Klangerzeuger zu steuern.

Nachdem Sie den Cursor (Fokus) den Parameter verschoben haben, in dem Sie auf den Encoders (Drehgeber) klicken, können Sie durch Drehen des Encoders (Drehgeber), die Lautstärke in einem Bereich von 0 bis 127 steuern. Die Zonenlautstärke kann auch im EDIT-Modus direkt gesteuert werden, sobald die MIDI-Taste leuchtet und der Cursor-Fokus auf einer der Zonen steht.

Sobald Sie den SPLIT-Punkt für das aktuelle PROGRAM(M) (ref: PROGRAM EDIT) ausgewählt haben, können Sie entscheiden, wo die gewählte ZONE spielen soll, und zwar völlig unabhängig voneinander:

LINKS: Die Zone ist auf der linken Seite der Tastatur spielbar (von A0 bis zur SPLIT Note).

RECHTS: Die Zone ist auf der rechten Seite der Tastatur spielbar (von der SPLIT Note bis C8).

LINKS/RECHTS: Die Zone ist ohne Split über die gesamte Tastatur spielbar.

Auch bei einem gemeinsamen SPLIT-Punkt (programmierbar für jedes PROGRAM(M)) gibt es fast 100 mögliche Einstellungen, unter Berücksichtigung des Status und der Kombination von LOWER + UPPER + ZONEA + ZONEB und den SPLIT-Einstellungen, die durch diese Funktion ermöglicht werden.

Mit dieser Funktion kann die Tonhöhe einer Zone verändert werden. Anders als der GLOBAL TRANSPOSER, der das gesamte Instrument beeinflusst, kann diese Funktion für jede MIDI-Zone unabhängig voneinander eingestellt und in jedem PROGRAM(M) mit unterschiedlichen Werten gespeichert werden.

Sie können die Oktave (Intervalle von jeweils 12 Halbtönen) einzeln für jede Zone einstellen. Normalerweise muss eine Zone um eine oder zwei Oktaven nach oben in die Linke (LEFT) Zone einer gesplitteten - Tastatur verschieben, um Akkorde in einer passenderen Tonlage zu spielen. Auf der anderen Seite klingt es manchmal besser, wenn man die Obere (UPPER) - Zone um ein oder zwei Oktaven absenkt.

Einfach die gewünschte Einstellung ausprobieren und dann im aktuellen PROGRAM(M) abspeichern.

MIDI CHANNEL

ZONE EDIT [4/13]	
MIDI CH	MIDI CH
2	1

VOLUME

ZONE EDIT [5/13]	
VOLUME	VOLUME
64	64

SPLIT ASSIGN

ZONE EDIT [6/13]	
SPLIT ASSIGN	SPLIT ASSIGN
TO LEFT	TO RIGHT

TRANSPOSE

ZONE EDIT [7/13]	
TRANSPOSE	TRANSPOSE
0	0

OCTAVE

ZONE EDIT [8/13]	
OCTAVE	OCTAVE
0	0

PEDAL 1 - PEDAL 2

ZONE EDIT [9/13]	
PEDAL 1 ON	PEDAL 1 ON

Hier können Sie entscheiden, ob die Pedale für jede Zone unabhängig voneinander aktiviert sind oder nicht, je nachdem, wo der Cursor - Fokus eingestellt ist (auf ZONE A oder ZONE B).

STICK 1 - STICK 2

ZONE EDIT [11/13]	
STICK 1 ON	STICK 1 ON

Wie für die Pedale können auch die Sticks separat für jede Zone aktiviert werden. Bitte beachten Sie, dass der Stick 2 automatisch auf AUTO gesetzt wird, sobald die entsprechende FX-AUTOSET-Funktion im GLOBAL EDIT-Bereich auf ON gesetzt ist. Um die Stick 2-Zuordnung manuell zu steuern, können Sie den FX-AUTOSET auf OFF stellen und die Funktion kann ein- oder ausgeschaltet und in den Programmen gespeichert werden.

AFTERTOUCH

ZONE EDIT [13/13]	
A.TOUCH ON	A.TOUCH ON

Dieser Parameter aktiviert oder deaktiviert die Aftertouch-Funktion in der ausgewählten Zone. Die Funktion des Aftertouch ist in den meisten Fällen ähnlich oder gleich der Stick 2 Modulations- Kontrolle und fügt dem Klang eine Art von Vibrato oder Modulation hinzu, je nach Einstellung. Normalerweise stellen Sie Aftertouch auf ON für die obere (UPPER) Zone, die üblicherweise als die Hauptmusikzone oder bei Soloaufführungen verwendet wird, während die untere (LOWER) Zone normalerweise mit Begleitungen oder Basslinien verbunden ist, wenn der SPLIT aktiv ist, aber die Einstellung ist völlig unter Ihrer Kontrolle und nach Ihrer Wahl.

Jedes Gerät von Studiologic von Fatar wird einzeln geprüft und einer vollständigen Funktionskontrolle unterzogen. Die Verwendung ausschließlich hochwertigster Bauteile erlaubt die Gewährung von zwei Jahren Garantie. Als Garantienachweis dient der Kaufbeleg / Quittung. Schäden, die durch unsachgemäßen Einbau oder unsachgemäße Behandlung entstanden sind, unterliegen nicht der Garantie und sind daher bei Beseitigung kostenpflichtig. Schadensersatzansprüche jeglicher Art, insbesondere von Folgeschäden, sind ausgeschlossen. Eine Haftung über den Warenwert des Gerätes hinaus ist ausgeschlossen. Es gelten die Allgemeinen Geschäftsbedingungen der Firma Synthax GmbH.

Synthax GmbH Fon: +49 (89) 97 880 38 0
 Semmelweisstr. 8 Fax: +49 (89) 97 880 38 0
 D-82152 PlaneggEmail: gmbh@synthax.de

Dieses Produkt entspricht den europäischen Richtlinien:
 2014-30-EU Elektromagnetische Verträglichkeit (EMV)
 DIN EN 55013 Funkstöreigenschaften von Rundfunkgeräten und verwandten Geräten der Unterhaltungselektronik
 DIN EN 55020 Störfestigkeit von Rundfunkgeräten und verwandten Geräten
 Geräten der Unterhaltungselektronik

Recanati, 17.01.2017 Marco Ragni, Chief Executive Officer
 Bei einer nicht von uns genehmigten Änderung des Gerätes verliert diese Erklärung ihre Gültigkeit.

Das Produkt wurde conform zur Richtlinie 2011/65/EU gefertigt.

Nach dem Elektro- und Elektronikgesetz 2012-19-EU sind Besitzer von Altgeräten gesetzlich gehalten, das Altgerät getrennt vom Hausmüll zu entsorgen. Helfen Sie bitte mit und leisten einen Beitrag zum Umweltschutz. Weitere Informationen zur Entsorgung dieses Gerätes erhalten Sie beim nächstgelegenen Wertstoffhof.

Um höchste Qualität zu gewährleisten, werden die Geräte von Studiologic® by Fatar immer dem aktuellen Stand der Technik angepasst. Erforderliche Änderungen in Konstruktion und Schaltung werden ohne Ankündigung vorgenommen. Technische Daten und Erscheinungsbild können daher von der vorliegenden Bedienungsanleitung abweichen.

Alle in dieser Anleitung verwendeten Warenzeichen und eingetragenen Warenzeichen Marken sind Eigentum der jeweiligen Inhaber.

Diese Anleitung ist urheberrechtlich geschützt. Jede Vervielfältigung Urheberrecht bzw. jeder Nachdruck, auch auszugsweise, ist nur mit schriftlicher Genehmigung der Firma Synthax GmbH gestattet. Dies gilt auch für die verwendeten Bilder und Grafiken.

Garantie

CE-Conformity



RoHS II – Konformität



Altgeräteentsorgung



Stand der Technik

Warenzeichen

Urheberrecht

Consignes de sécurité importantes



Veillez lire la totalité du mode d'emploi. Il contient toutes les informations dont vous avez besoin pour utiliser cette unité.

Veillez suivre les instructions du mode d'emploi. La garantie sera caduque si des interventions non autorisées sont effectuées sur le Numa Compact 2. Seuls des accessoires spécifiés par le fabricant doivent être utilisés avec cette unité.

N'utilisez l'unité que de la façon indiquée dans ce mode d'emploi.



DANGER !

Risque de choc électrique. N'ouvrez pas le châssis. Il n'y a aucune pièce réparable par l'utilisateur à l'intérieur.

L'unité ne doit être réparée que par un service après-vente qualifié.



Humidité

Pour réduire le risque d'incendie ou de choc électrique, n'exposez pas l'unité à la pluie ni à l'humidité. Ne placez jamais de récipients contenant du liquide sur l'unité. N'utilisez pas l'unité avec de l'eau à proximité, près d'une piscine, d'une baignoire ou dans un sous-sol humide. Si l'unité est déplacée d'un endroit froid vers un endroit chaud, de la condensation peut se former à l'intérieur. Pour éviter les dommages, veuillez laisser l'unité atteindre la température de la pièce avant de la mettre en service.



Installation

Utilisez toujours un support stable pour poser le clavier. Tenez bien compte de sa taille et de son poids.

Nettoyage et entretien

N'utilisez jamais de détergent abrasif qui pourrait endommager la surface. Nous recommandons l'emploi d'un chiffon en microfibres légèrement humide.

Emballage

Veillez conserver tous les emballages et les réutiliser pour protéger le clavier lors du transport, par exemple si une réparation est nécessaire.



Alimentation secteur

Avant de raccorder l'unité au secteur, veuillez vérifier que la tension fournie par ce dernier est adaptée à l'adaptateur du Numa Compact 2. L'unité peut être alimentée par un courant alternatif de 100 - 240 V, à l'aide du cordon d'alimentation fourni.

Remarque importante : le Numa Compact 2 peut également être alimenté directement par le port USB, s'il est connecté à un ordinateur ou à d'autres sources d'alimentation USB appropriées.

Numa Compact 2x

Mode d'emploi



F

Consignes de sécurité	86	
Votre nouveau Numa Compact 2	90	Présentation du produit
	90	Caractéristiques principales
	91	Exemple d'utilisation
	91	Schéma de fonctionnement
Alimentation - Entrées et connexions	94	Connexion électrique
	94	Alimentation par USB
	94	Pédales d'expression/universelles
	95	Sortie audio
	95	Casque
	95	Volume
	95	USB
Façade – Écran et navigation	96	SOUND / MIDI
	97	Demo
	97	SPLIT
	97	STORE/programmes personnels
Banques de sons et mode SOUND	98	Mode SOUND
	99	Sons
Effets	100	FX1- FX2
	101	Réglage automatique d'effet (AUTOSET)
	101	Résonance des cordes (STRINGS RESONANCE)
Édition globale	102	Transposer
	102	Global tuner
	102	Velocity curve
	102	Fixed curve
	102	Strings resonance (Damper effect)
	102	Headphones (mode)
	103	Pedal 2
	103	FX Autoset
	104	Factory reset
	104	Firmware version and update
	105	Programs send/receive
Édition de programme	106	Program name
	106	Split point
	106	Mixer
Édition de partie	107	Volume
	107	Split Assign
	108	Transpose
	108	Octave
	108	Rev send
	108	Pedal 1 - Pedal 2
	108	Stick 1 - Stick 2
	109	A. Touch

MIDI (édition de zone)	110	Prg Chg
	110	BANK LSB - MSB
	110	MIDI Ch
	111	Volume
	111	Split Assign
	111	Transpose
	111	Octave
	111	Pedal 1 - Pedal 2
	111	Stick 1 - Stick 2
	112	A.Touch
Déclarations	113	
Annexe	118	Tableau des sons
	119	Tableau d'équipement MIDI
	120	Caractéristiques techniques
	120	Dimensions

Présentation du produit

Le Numa Compact 2 est un instrument de musique d'une puissance incroyable, au design élégant et épuré, reposant sur une technologie totalement nouvelle et une interface utilisateur actualisée. Le clavier réagit à la pression (« aftertouch ») et, avec les Sticks programmables, vous permet d'avoir un contrôle total sur l'interprétation musicale. Le nouveau moteur sonore a une polyphonie maximale de 128 notes et comprend deux sections indépendantes (haute [Upper] et basse [Lower]) avec plus de 80 sons organisés en 8 banques, assignables à n'importe quelle partie du clavier en mode Layer (superposition des sons) ou Split (partage du clavier). Le gigaoctet de sons (en mémoire flash) est encore amélioré par 2 processeurs d'effets (FX1-FX2), chacun ayant une double architecture interne pour offrir un total de 4 effets indépendants à la fois.

Une résonance contrôlable des cordes et des échantillons de relâchement en jeu staccato rendent les sons de piano principaux toujours plus réalistes, tandis qu'un nouveau processeur de réverbération stéréo met encore plus en valeur le son. Les commandes de graves, d'aigus et de mastering permettent d'atteindre une qualité studio qui se reflète également dans l'amplificateur numérique intégré et les haut-parleurs elliptiques à réflexion arrière. Le module MIDI comprend 2 zones MIDI indépendantes et tous les paramètres peuvent être programmés et mémorisés.

Caractéristiques principales

Clavier léger lesté de 88 notes

Aftertouch (pression)

Stick 1 : fonction Pitch Bend sur les deux axes

Stick 2 : modulation du son et contrôle des effets FX1/2 (assignable ou sélection automatique)

Amplificateur 2 x 10 W intégré + 2 haut-parleurs elliptiques à réflexion arrière

Écran graphique OLED 128x64

Interface utilisateur à contrôle direct

Partie basse [Lower] - Partie haute [Upper] - Zone A - Zone B

4 sections programmables (sons internes et MIDI) dans n'importe quelle combinaison.

1 Go de mémoire flash, 88 sons organisés en 8 banques

Sons de piano à queue de concert avec échantillons de relâchement de jeu staccato et résonance des cordes

Processeurs FX1-2 à double effet – 4 effets programmables à la fois

Reverb stéréo avec niveaux de départ indépendants pour les parties Lower/Upper

Résonance des cordes (modélisation d'amortissement) sur les sons de piano acoustique (programmable)

Édition globale/de programme/de partie

Commandes de post-traitement de graves, aigus, mastering (3D + compresseur)

Module MIDI avec 2 zones programmables indépendantes

Branchements : USB, MIDI In/Out, audio G/D, casque, pédale 1-pédale 2

Alimentation par USB

Exemple d'utilisation

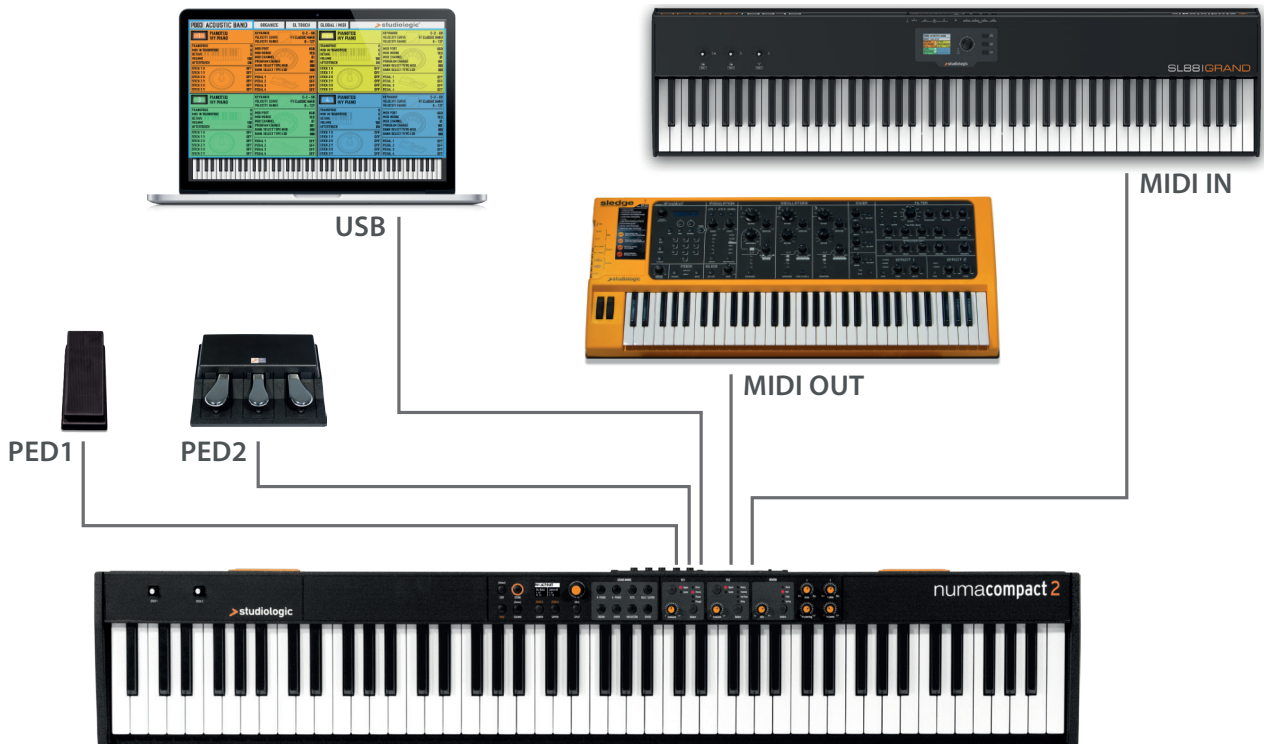
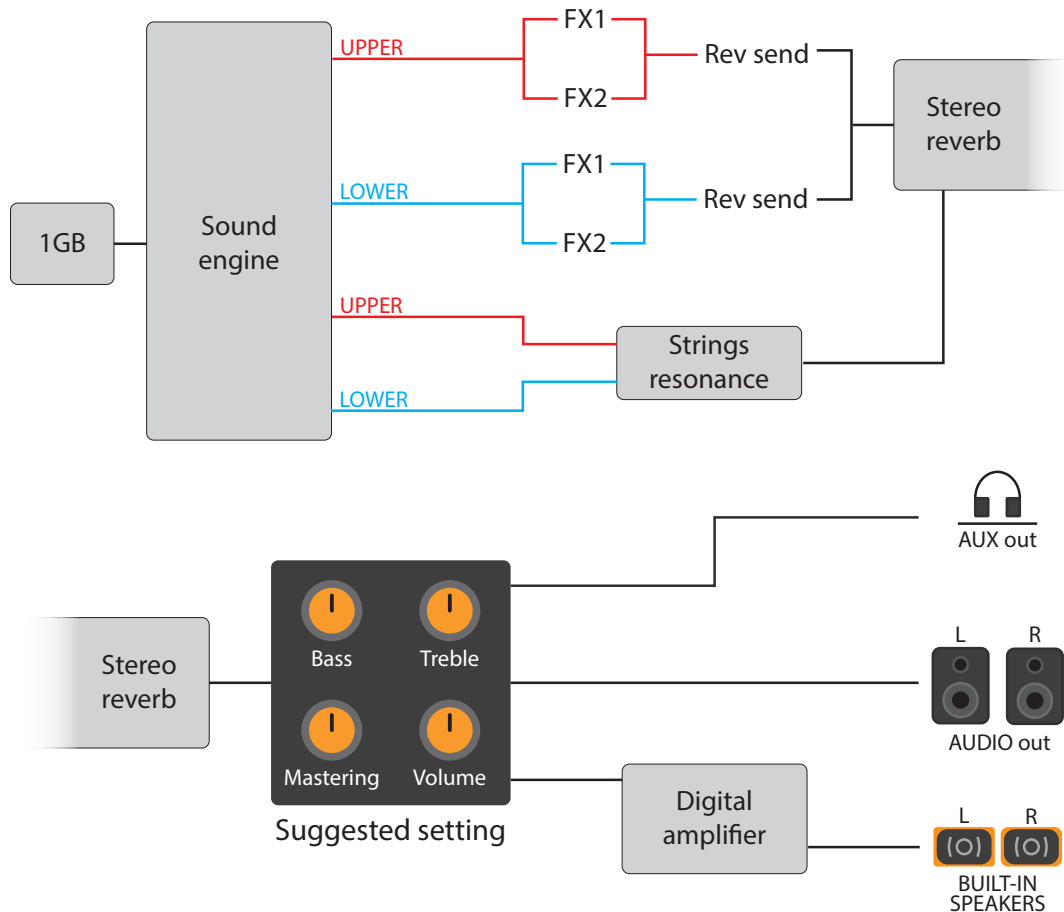


Schéma de fonctionnement



Aperçu des fonctions du NUMA Compact 2 :

Mécanique légère lestée

Le Numa Compact 2 offre la toute dernière innovation technologique de Fatar : le clavier lesté sophistiqué de piano TP9 avec aftertouch. Le Numa Compact 2 ne pèse que 7,1 kg et est donc très portable, tout en offrant le remarquable toucher de piano qui a fait la célébrité de Fatar.

**8 banque de sons
88 sons internes**

Vous pouvez immédiatement commencer à jouer des 88 sons de haute qualité, qui ont été soigneusement échantillonnés. Des musiciens et claviéristes expérimentés ont sélectionné ces sons et ont participé à la conception ergonomique du Numa Compact 2. Le Numa Compact 2 est par conséquent le partenaire idéal sur scène, en studio ou à la maison. Une polyphonie maximale de 128 voix permet d'ajouter de la profondeur et de l'expression.

Vous pouvez combiner deux sons en les assignant aux sections Lower (basse) et Upper (haute) en mode Split (partage du clavier) ou Layer (superposition des sons).

**FX1 - FX2- REV
Résonance des cordes**

Les deux doubles processeurs d'effets (FX) permettent d'assigner 2 effets différents à la fois aux sections Lower et Upper, en plus d'un effet de résonance des cordes (Strings Resonance) sur tous les sons de piano et une reverb stéréo pour une variété infinie de combinaisons de toutes sortes.

**Mixage et mastering
Amplification intégrée**

Des commandes de volume, graves, aigus et mastering permettent de régler les sons à votre goût et le système d'amplification d'écoute interne avec haut-parleurs elliptiques vous permet de jouer de l'instrument au travers d'un amplificateur 10 +10 W contrôlé numériquement et d'un égaliseur pour donner le meilleur résultat.

Fonctions de clavier maître

Les fonctions de clavier maître du NUMA Compact 2, avec 2 zones programmables, vous permettent de contrôler d'autres appareils MIDI, de sélectionner les sons et de régler les niveaux directement depuis votre Numa Compact 2.

Connexions audio

En plus de la sortie audio stéréo G/D et du système d'amplification intégré, le Numa Compact 2 possède une prise casque supplémentaire, idéale pour jouer tard la nuit sans déranger les voisins. Cette prise peut également servir de sortie audio auxiliaire.

Le port USB intégré permet à votre Numa Compact de se connecter à votre ordinateur et d'être alimenté directement, sans recourir à l'adaptateur secteur externe (inclus). Vous pouvez utiliser le port USB et la sortie MIDI Out pour la transmission des données MIDI. En outre, l'USB permet les mises à jour du micrologiciel interne (firmware) et de la bibliothèque de sons. Veuillez noter que le système d'amplification interne est automatiquement désactivé quand l'instrument est alimenté par USB afin d'éviter une consommation d'énergie excessive ou des variations d'alimentation.

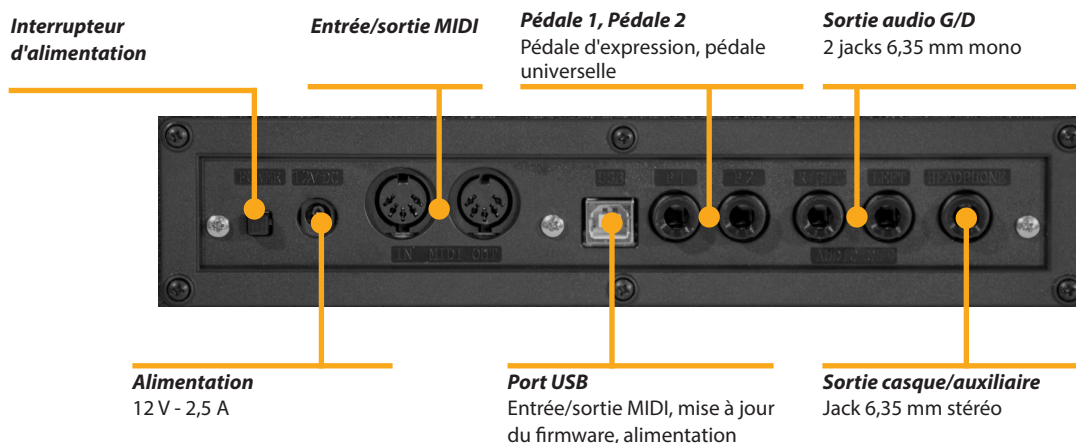
Numa Compact 2
Adaptateur secteur
Mode d'emploi sur CD

Interactivité Numa

USB <> Ordinateur

L'emballage comprend

Alimentation - Entrées et connexions



Connexion électrique

Utilisez l'adaptateur électrique fourni avec l'appareil pour raccorder le Numa Compact 2 à une prise électrique (ou utilisez la connexion USB). Allumez l'unité à l'aide de son interrupteur d'alimentation situé à côté de la prise d'alimentation du NUMA Compact 2, réglez les commandes Volume, Bass (graves) et Treble (aigus) en position médiane et la commande Mastering au minimum (cette fonction sera expliquée plus loin dans ce mode d'emploi) afin d'éviter une puissance de sortie excessive et de permettre aux haut-parleurs internes de diffuser avec une plage dynamique correcte.

Alimentation par USB



L'instrument peut également être alimenté par USB, à condition que l'ordinateur soit capable de fournir une alimentation suffisante et qu'il n'y ait pas trop d'appareils alimentés par le même port USB.

Lorsque l'instrument est alimenté par USB, le système d'amplification interne est dans la plupart des cas désactivé si sa consommation électrique dépasse les possibilités de l'ordinateur.

À NOTER : en cas de connexion faible ou instable, utilisez l'alimentation traditionnelle (voir le paragraphe précédent).

Pédales d'expression/ universelles

Branchez la ou les pédales (en option) aux prises correspondantes marquées P1 et P2 ; à la prise P1, vous pouvez brancher la pédale Studiologic VP, typiquement destinée à contrôler l'expression/volume. À la prise P2, vous pouvez brancher soit une pédale commutateur simple, soit une pédale d'expression/volume, soit la triple pédale spécifique SLP3-D, comme expliqué dans le chapitre correspondant.

Si vous souhaitez utiliser des systèmes d'amplification externes ou enregistrer les sons des instruments, raccordez les sorties audio gauche et droite aux entrées de votre table de mixage ou amplificateur, ou aux entrées de la carte son de votre ordinateur, à l'aide de câbles appropriés.

La sortie casque peut être employée avec des écouteurs ou comme sortie audio auxiliaire supplémentaire, selon le réglage de la fonction d'édition globale correspondante (expliquée dans ce mode d'emploi). En tant que sortie audio auxiliaire, vous pouvez utiliser cette prise pour brancher l'instrument à un caisson de graves ou à un système d'amplification supplémentaire, les sorties G/D restant alors disponibles pour l'enregistrement ou d'autres connexions audio.

Lors de la première utilisation du Numa Compact 2, nous vous recommandons de ne pas tourner le bouton Volume de la section de sortie à plus de la moitié de sa course entre 0 et Full. Pendant que vous jouez, vous pouvez régler le volume en fonction des sons sélectionnés. La position du bouton Volume agira à la fois sur les sorties audio et sur la sortie casque.

ATTENTION :

Pour éviter les troubles auditifs, vous devez éviter, comme avec tous les appareils audio, d'utiliser le Numa Compact 2 de façon prolongée à un volume élevé.

Pour la transmission de données par USB, reliez le Numa Compact 2 à votre ordinateur par un câble USB. La première fois que vous allumez le Numa Compact 2, il est automatiquement reconnu par votre ordinateur et le pilote approprié est installé par le système d'exploitation (compatibilité native dite « class compliant »).

Sortie audio

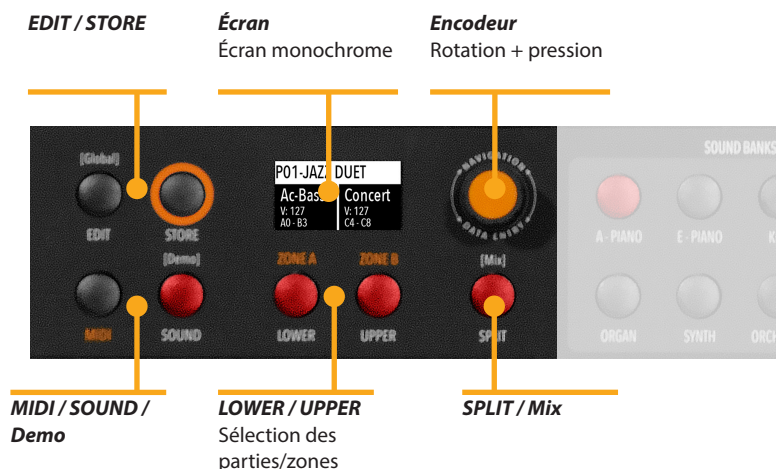
Casque

Volume



USB

Façade – Écran et navigation



L'écran d'accueil principal du Numa Compact 2 est celui qui s'affiche à la mise sous tension et il est divisé en 3 champs principaux : le champ supérieur affiche le numéro et le nom du programme actuel, les champs inférieurs gauche et droit sont associés aux sections de son Lower (basse) et Upper (haute), dans le cas du mode Sound (son), et aux sections Zone A et Zone B, dans le cas du mode MIDI.

Pour naviguer et déplacer le curseur dans l'écran, vous avez le choix entre trois commandes :

- Presser l'encodeur : le curseur ira sur les 3 champs principaux : Programme, Lower, Upper.
- Presser les touches SOUND ou MIDI et le curseur reviendra en haut.
- Presser LOWER ou UPPER et le curseur ira sur le champ correspondant.



Quand le curseur est sur le champ Programme, tourner l'encodeur vous permet de sélectionner les différents programmes.

Quand le curseur est sur les champs Lower/Upper, tourner l'encodeur vous permet de contrôler les volumes correspondants.

SOUND / MIDI

Les deux touches marquées SOUND et MIDI font alterner entre les deux affichages et jeux de commandes correspondants.

Quand la touche SOUND est sélectionnée et allumée, l'utilisateur peut contrôler les sections et sélections de sons, tous les affichages, réglages, pages d'édition et paramètres correspondants.

Quand la touche MIDI est sélectionnée et allumée, l'écran affiche le statut des Zones MIDI A et B et l'utilisateur peut accéder à tous les paramètres, fonctions d'édition et valeurs disponibles.

La touche SOUND peut également être pressée de façon plus prolongée pour lancer la lecture en séquence des huit morceaux de démonstration (un pour chaque banque de sons) ; presser une touche de banque de sons (SOUND BANKS) vous permet de sélectionner la démo lui correspondant ; à la fin de celle-ci, le morceau de démonstration de la banque suivante démarre, et cela selon une boucle continue.

Cette touche est une commande en temps réel de la fonction SPLIT qui partage le clavier entre deux sons et qui peut être modifiée et contrôlée en détail grâce à la fonction Split Point du mode d'édition globale et à la fonction Split Assign du mode d'édition de partie. C'est un moyen rapide pour activer et désactiver immédiatement le Split et pour faire jouer les parties UPPER et LOWER sur la totalité du clavier, en superposition (Layer) sans partage du clavier.

Comme expliqué dans les sections d'édition (EDIT), la touche SPLIT peut également être utilisée comme raccourci pour sélectionner la page MIXER, si on la maintient pressée quelques secondes.

Le Numa Compact 2 a 99 mémoires programmables par l'utilisateur appelées Programmes, dans lesquelles vous pouvez mémoriser tous les paramètres de son (SOUND), les commandes d'effet FX1/2, les valeurs, fonctions, points de split et autres paramètres éditables relatifs aux Zones MIDI, avec un nom (NAME) personnalisable pour chaque Programme. Les seules fonctions qui ne sont pas mémorisées sont les réglages des boutons VOLUME, BASS, TREBLE et MASTERING, puisque ce sont de pures commandes en temps réel, non liées à un Programme particulier.

Tous les Programmes peuvent être envoyés et reçus par USB, comme expliqué dans le paragraphe correspondant de ce mode d'emploi, dans la section Édition globale.

Demo

SPLIT

STORE / Programmes personnels

Banques de sons et mode SOUND



Mode SOUND

En mode SOUND, c'est-à-dire avec la touche en question sélectionnée et allumée, les 8 banques de sons (SOUND BANKS) permettent de sélectionner les sons internes, qui sont classés logiquement par rapport au nom des banques de sons. Chaque banque peut avoir un nombre de sons variable, organisés par pages de 4 sons chacune. Quand vous sélectionnez une banque, vous voyez à l'écran le nom de cette banque, le numéro de la page affichée et le nombre total de pages de sons de la banque (en haut à droite de l'écran) tandis que le son sélectionné est affiché en négatif.

Pour sélectionner un autre son de cette même banque, tournez l'encodeur et tous les sons disponibles s'afficheront et seront sélectionnés tour à tour, de la première à la dernière page de la banque. La sélection peut se faire dans un certain laps de temps (d'environ 5 secondes) et le dernier son sélectionné sera automatiquement mémorisé pour chaque banque. Quand vous sélectionnez une banque, le curseur va automatiquement sur le dernier son sélectionné pour rendre la sélection de son à la fois plus rapide et plus facile. Grâce à cette fonction, vous disposez d'une sélection automatique de vos sons préférés pour les différentes banques.



Sons

Vous trouverez ci-dessous la liste des sons d'usine ; veuillez noter que les caractéristiques sont sujettes à modifications et que par conséquent la liste des sons peut être légèrement modifiée ou actualisée dans des versions de firmware différentes ou futures.

A.PIANO

Concert
Stage
Vintage
Studio
Rock
Upright
E-Grand1
E-Grand2

E.PIANO

EP-Mark1
Wurlix
E-Pno1
E.Pno2
DxFm1
DxFm2
DxFm3
DxFm4

KEYS

Clavi
Harpsi
Vibes
Marimba
FunKlav
Cembalo
ReedOrg
GloKeys

BASS/GUITAR

Ac-Bass
El-Bass
Slap
Plucked
Ny-Guitar
El-Guitar
Ac-Guitar
Jz-Guitar
2 Guitars
12 Strings
BassRide1
BassRide2

ORGAN

JazzOrg1
JazzOrg2
DrawbVib
AllDrawb
888-Pure
888-Scan
MildSet
AllEven
V-Org
F-Org
Pipe1
Pipe2

SYNTH

SynthPad
SynHouse
SweetSaw
WowPad
Soloist
Funky
SynBass1
SynBass2
Jump
SynBrass
Square
Cluster

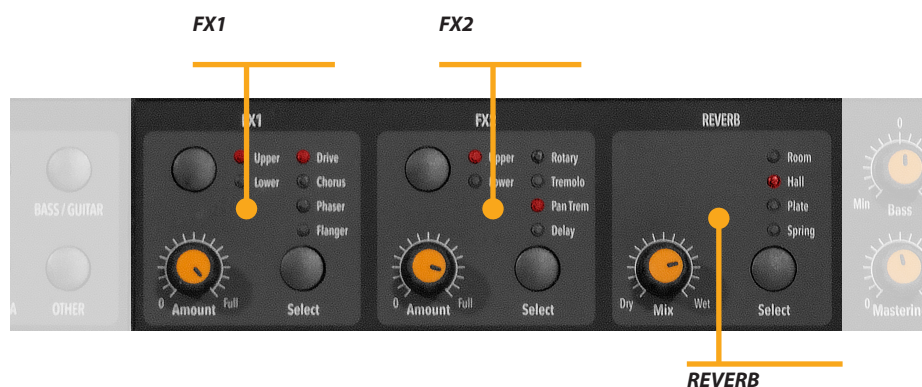
ORCHESTRA

Strings1
Strings2
Horns
Brass
Baroque
BigBand
BrassFall
SaxBand
TenorSax
JazzFlute
Trumpet
Oboe

OTHER

Cassotto
Accordion
Musette
Harmonica
ChoirAh
ChoirOh
ChoirUh
ChoirSint
Bouzouki
Kanoun
Oud
Cawala
Mizmar
Nai
StdKit
WorldKit

Effets



FX1 - FX2

Les 2 doubles processeurs d'effets permettent d'assigner 2 effets distincts aux sections Lower et Upper, pour un total de 4 effets différents à la fois. Par exemple, FX1 peut être réglé sur Drive pour la section Upper et en même temps sur Chorus pour la section Lower. En utilisant les touches UPPER/LOWER, vous pouvez alterner entre les parties concernées et afficher ou sélectionner l'effet pour cette partie. En outre, vous verrez ou changerez l'effet associé à l'aide des 2 touches principales LOWER et UPPER sous l'écran.

Vous pouvez visualiser le son et la structure d'effet ainsi que le trajet du signal comme suit :

Upper > FX1 (un des quatre) > FX2 (un des quatre) > Reverb (départ programmable en mode Edit)

Lower > FX1 (un des quatre) > FX2 (un des quatre) > Reverb (départ programmable en mode Edit)

Amount : les 2 potentiomètres Amount contrôlent l'ampleur de l'effet sélectionné, comme le rapport son sec/son d'effet (pour les effets de modulation comme le chorus) ou d'autres paramètres, comme le niveau de distorsion des effets DRIVE.

La fonction FX Autoset (une fonction en temps réel également expliquée en section d'édition globale) mémorise automatiquement les derniers FX 1-2 sélectionnés pour chaque son, sans avoir à mettre en mémoire un Programme dédié.

Cette fonction en temps réel contrôlera également l'association entre le Stick2 et les commandes de son ou d'effet (modulation ou vitesse d'effet, etc.) de façon logique et automatique. Lorsqu'un effet donné est sélectionné dans une section, le Stick 2 contrôle un paramètre particulier, comme la vitesse (Slow/Fast) de l'effet Rotary ou la vitesse (Speed) et la réinjection (Feedback) du phaser.

Le contrôle se fera automatiquement en fonction de la position du curseur : si vous avez une partie Lower sans effet et que le curseur est sur Lower, le Stick 2 contrôlera la modulation ; si le curseur est sur Upper et que vous avez un son d'orgue (Organ) avec effet rotatif (Rotary), le Stick 2 contrôlera la vitesse (Slow/Fast) de l'effet Rotary.

Si la fonction FX Autoset est réglée sur Off (voir la section Édition globale), la fonction du Stick 2 concerne l'édition de partie (PART EDIT), sans assignations automatiques, et vous pouvez mémoriser tous les réglages dans chaque Programme.

Avec la fonction FX Autoset désactivée, l'association automatique entre chaque son et le dernier effet sélectionné ne se fait plus et la sélection d'effet ne sera que manuelle ou sous le contrôle du réglage FX conservé dans chacun des 99 Programmes.

En plus des puissants doubles processeurs d'effets FX 1-2, le Numa Compact 2 dispose également d'un effet intégré de post-traitement appelé STRINGS RESONANCE, dédié à la banque de sons de pianos acoustiques (A. PIANO) et contrôlé par le paramètre correspondant du mode d'édition globale. Cet effet, issu de l'expérience des célèbres instruments Studiologic Numa STAGE et CONCERT, ajoute un effet encore plus réaliste aux sons de piano puisqu'il reproduit les résonances des cordes et de la table d'harmonie de l'instrument acoustique.

Réglage automatique d'effet (AUTOSSET)

Résonance des cordes (STRINGS RESONANCE)

Édition globale

Pour activer l'édition globale, maintenez la touche EDIT pressée durant quelques secondes ; vous découvrirez plusieurs pages (indiquées en haut à droite de l'écran) avec des fonctions qui affectent la totalité de l'instrument, quel que soit le Programme sélectionné. Pour quitter cette fonction, pressez à nouveau la touche EDIT et tous les réglages effectués seront automatiquement mémorisés.

Lorsque le curseur est dans le champ supérieur de l'écran, tourner l'encodeur permet de sélectionner les différentes pages ; presser l'encodeur amène le curseur sur le paramètre et le tourner vous permet de changer la valeur du paramètre en question.

Les fonctions principales de l'édition globale sont :

TRANSPOSER



Vous pouvez transposer l'instrument dans n'importe quelle tonalité ; pressez l'encodeur pour amener le curseur sur la valeur et tournez-le pour saisir la valeur de transposition désirée.

GLOBAL TUNER



Cette fonction vous permet « d'accorder » l'instrument, au cas où vous auriez à jouer avec un autre instrument accordé de façon non standard ($f_a=440$ Hz).

VELOCITY CURVE



Vous pouvez sélectionner une courbe de dynamique (Velocity Curve) différente en fonction de votre goût et de votre technique de jeu. Il existe 3 courbes d'usine (SOFT/NORMAL/HARD) et un réglage à dynamique fixe (FIXED) programmable avec la valeur voulue.

FIXED CURVE



Vous pouvez choisir ici la valeur de dynamique fixe (de 1 à 127) quand la courbe de dynamique est réglée sur FIXED.

STRINGS RESONANCE (DAMPER EFFECT)



Ici vous pouvez contrôler l'ampleur du post-traitement STRINGS RESONANCE (résonance des cordes) qui ajoute un effet plus réaliste à tous les sons de piano acoustique. Veuillez noter que le son CONCERT GRAND a également un effet naturel indépendant de « relâchement et résonance » qui est intégré et non contrôlé par ce paramètre.

HEADPHONES (MODE)



Lorsque ce paramètre est réglé sur AUTO ON, brancher un casque coupe automatiquement le système d'amplification interne.

Si ce paramètre est réglé sur AUTO OFF, le système d'amplification interne reste en service même si une fiche est introduite dans la prise casque ; cela vous permet d'utiliser la sortie casque comme une sortie auxiliaire supplémentaire, pour l'enregistrement ou pour la connexion à un caisson de graves actif amplifié, en plus des haut-parleurs internes.

Si la prise P1 convient toujours aux pédales de volume/expressions, la prise P2 peut être programmée pour brancher quasiment toutes les pédales possibles, comme suit :

- SINGLE SWITCH normally open (pédale commutateur simple normalement ouverte) ;
- SINGLE SWITCH normally closed (pédale commutateur simple normalement fermée) ;
- EXPRESSION (pédale agissant sur le volume, avec potentiomètre et fiche stéréo) ;
- SLP3-D – triple pédale avec fonction de pédale douce/tonale/forte et contrôle par demi-pédale.

Quand ce paramètre est réglé sur AUTO ON, les fonctions automatiques suivantes sont activées :

Les derniers effets (FX1-2) sélectionnés pour chaque son sont mémorisés par l'instrument, ce qui vous permet de sélectionner un son et l'effet que vous préférez avec sans avoir à mémoriser cette combinaison dans un Programme. Le réglage automatique FX Autoset mémorise non seulement les effets associés par l'utilisateur à chaque son, mais également la valeur du paramètre contrôlé par le Stick 2 pour chaque effet.

La commande STICK 2 sera automatiquement affectée à une fonction qui dépend du réglage et de la position du curseur.

Si le curseur est sur UPPER (par exemple) alors que vous avez sélectionné un son d'orgue (Organ) avec l'effet ROTARY, le Stick2 contrôlera la vitesse (SLOW/FAST) de l'effet Rotary.

Si vous amenez le curseur sur LOWER (en pressant l'encodeur ou la touche LOWER) alors que vous avez un autre effet sur LOWER, le Stick2 contrôlera l'effet LOWER.

Si vous n'avez pas d'effet sur une section (LOWER ou UPPER) et si vous amenez le curseur sur cette section, le STICK 2 contrôle la modulation de la section sélectionnée.

À titre d'exemple typique, imaginez que vous avez un orgue en section UPPER avec effet Rotary et une basse en section LOWER sans effet ; amener le curseur sur UPPER fera contrôler la vitesse de l'effet Rotary par le Stick 2 ; si vous amenez le curseur sur LOWER, le Stick2 contrôlera la modulation.

Remarque : cette fonction automatique est une sélection arbitraire faite par l'instrument, basée sur les statistiques de situation de jeu ; si vous souhaitez contrôler tous les paramètres directement et manuellement, vous pouvez désactiver la fonction (la régler sur OFF) et choisir l'action du Stick2 dans

PEDAL 2



FX AUTOSSET



l'édition de partie correspondante, puis mémoriser le réglage désiré dans un Programme.

FACTORY RESET



Cette fonction permet une réinitialisation complète qui effacera tous les réglages personnels et restaurera les réglages d'usine. Veuillez noter que cela vous fait perdre vos réglages ou programmations personnels et qu'il faut donc employer cette fonction prudemment. Pour protéger l'utilisateur d'une réinitialisation non intentionnelle, un message de confirmation YES/NO apparaît lorsque vous essayez de réinitialiser l'unité, vous permettant de confirmer ou non la restauration d'usine.

FIRMWARE VERSION AND UPDATE



Pour mettre à jour le firmware, suivez ces étapes :

- Téléchargez le firmware depuis www.studiologic-music.com et sauvegardez-le dans le dossier de votre choix.
- Branchez l'instrument au secteur puis à votre ordinateur avec le câble USB ;
- Vérifiez ce que voit votre ordinateur et ce qu'il a sélectionné comme périphérique de sortie MIDI, dans les paramètres appropriés ;
- Allumez l'instrument en maintenant pressée la touche *la0* (première touche blanche sur la gauche) et la touche *ré1* (quatrième touche blanche en partant de la gauche). L'écran affichera le message « Firmware Upload » (réception de firmware) ;
- Ouvrez n'importe quel programme capable de lire un fichier MIDI (par exemple [MIDI-Ox](#) pour PC, [QMidi](#) pour Mac, etc) ;

MIDI-Ox :

- Ouvrez MIDI-Ox
- Dans la barre des menus, choisissez Actions > Play MIDI..., la barre MIDI s'ouvrira ;
- Dans la fenêtre MIDI BAR, cliquez sur le bouton « Select MCI Port » et sélectionnez Numa Compact 2 ;
- Dans MIDI BAR, ouvrez le fichier que vous avez téléchargé ;
- Pressez le bouton PLAY et attendez la fin de la procédure ;
- Quand l'écran du Numa Compact 2 affiche « UPLOAD FINISHED » (réception terminée), faites redémarrer l'instrument (éteignez-le et rallumez-le).

QMidi :

- Ouvrez QMidi ;
- Sélectionnez le fichier de firmware que vous avez téléchargé.
- Dans la barre des menus, choisissez QMidi > Audio/MIDI settings et sélectionnez Numa Compact 2 comme périphérique de sortie ;
- Dans la fenêtre principale, pressez le bouton PLAY et attendez que la procédure se termine ;
- Quand l'écran du Numa Compact 2 affiche « UPLOAD FINISHED » (réception terminée), faites redémarrer l'instrument (éteignez-le et rallumez-le).

Cette fonction permet d'envoyer/recevoir tous les Programmes vers/depuis votre ordinateur (PC ou Mac). Une fois cette fonction sélectionnée, tourner l'encodeur vous permet de sélectionner SEND (envoyer) ou RECEIVE (recevoir) à l'aide des procédures suivantes.

WINDOWS

Vous pouvez utiliser un programme comme MIDI-Ox décrit ci-dessous (veillez bien à ce que le Numa Compact 2 soit vu par les ports USB/MIDI de l'ordinateur et les réglages de MIDI-Ox).

Pour envoyer des données à votre ordinateur :

- Connectez le Numa Compact 2 à votre ordinateur par USB ;
- Ouvrez MIDI-Ox et sélectionnez View/Sysex ;
- Dans la fenêtre Sysex, choisissez Sysex > Receive manual dump ;
- Pressez l'encodeur quand la fonction SEND du mode global est activée, confirmez avec YES et attendez que cela se fasse ;
- Dans la fenêtre d'affichage (Display) de MIDI-Ox, sauvegardez les données reçues dans un fichier ;
- Quand le transfert est terminé, choisissez Display Window > Save as... ;
- Sauvegardez le fichier sous le nom de votre choix.

Pour renvoyer les données à votre instrument :

- Dans la fenêtre PROGRAMS SEND/RECEIVE, sélectionnez RECEIVE (recevoir)
- Ouvrez MIDI-Ox et dans la fenêtre Sysex, choisissez Command > Window > Load File et naviguez jusqu'à l'endroit où vous avez enregistré le fichier.
- Choisissez la commande Command Window > Send Sysex et attendez que l'envoi soit fait.

MAC OS

Vous pouvez utiliser un programme comme SysEx Librarian ci-dessous SysEx (veillez bien à ce que le Numa Compact 2 soit vu par les ports USB/MIDI de l'ordinateur et les réglages de SysEx Librarian).

Pour envoyer des données à votre ordinateur :

- Ouvrez SysEx Librarian ;
- Dans la barre d'outils, sélectionnez « Numa Compact 2 » comme périphérique ;
- Cliquez sur le bouton « Record many » dans SysEx Librarian ;
- Pressez l'encodeur quand la fonction SEND du mode global est activée, confirmez avec YES et attendez que cela se fasse ;
- Quand la transmission est terminée, pressez le bouton Done dans SysEx Librarian.

Pour renvoyer les données à votre instrument :

- Dans la fenêtre PROGRAMS SEND/RECEIVE, sélectionnez RECEIVE (recevoir)
- Dans la barre d'outils de SysEx Librarian, il existe un menu contextuel nommé Destination. Cliquez dessus et choisissez le port MIDI par lequel vous souhaitez faire l'envoi.
- Dans SysEx Librarian, sélectionnez le bon fichier dans la liste des fichiers Sysex et pressez le bouton « Play » pour le transférer.

PROGRAMS SEND / RECEIVE



Édition de programme

Si le curseur est sur le champ supérieur de l'écran en sélection de Programme, presser la touche EDIT activera l'édition de Programme (PROGRAM EDIT) avec les paramètres et réglages suivants.



PROGRAM NAME



Après avoir sélectionné cette fonction, pressez l'encodeur et saisissez lettres ou chiffres en le tournant ; un petit triangle indiquera le caractère que vous modifiez.

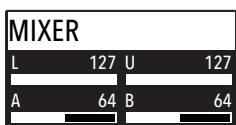
Pour valider le nouveau nom ou garder le précédent, pressez STORE et une fenêtre contextuelle vous demandera de confirmer ou non le changement ; tournez l'encodeur sur YES (oui) ou NO (non) et confirmez en le pressant.

SPLIT POINT



Cette fonction permet de sélectionner le point de split (SPLIT POINT) pour chaque Programme, en tournant l'encodeur jusqu'à l'affichage de la note désirée. Veuillez noter que, par convention internationale, les touches du clavier sont nommées de A0 (première touche sur la gauche) à C8 (dernière touche sur la droite) et par conséquent que le do médian sous l'écran correspond à C4 (rappelons qu'en notation anglo-saxonne, A=*la*, B=*si*, C=*do*, D=*ré*, E=*mi*, F=*fa*, G=*sol*). La hauteur de référence du diapason A=440 Hz est obtenue sur le A4, celui de la même octave que C4 (sous les banques de sons) pour tous les sons basés sur les 88 touches standard d'étendue du piano. Seuls certains sons d'orgue joueront une octave en dessous, s'ils sont basés sur la tirette de 16' d'orgues vintage à roues phoniques ou sur les registres d'orgues liturgiques classiques de 16' ; dans ce cas, la fondamentale du son obtenu sur A4 sera à 220 Hz (une octave en dessous de 440 Hz).

MIXER



Le Mixer vous permet de contrôler les quatre parties et zones (LOWER/UPPER/ZONEA/ZONEB) sur une même page. Cette fonction est également accessible par un raccourci qui consiste à maintenir pressée la touche SPLIT, également marquée [MIX].

Édition de partie

Si le curseur est sur une des parties et que vous êtes en mode SOUND (touche SOUND sélectionnée et allumée), cela vous fera passer en mode d'édition de partie (PART EDIT). Si vous avez sélectionné l'édition de partie, vous pouvez toujours presser les touches LOWER ou UPPER pour sélectionner la partie à éditer ou presser l'encodeur.



L'édition de partie comprend les paramètres suivants :

En tournant l'encodeur, après l'avoir pressé pour amener le curseur sur le paramètre, vous pouvez contrôler le volume de la partie sélectionnée, dans une plage de 0 à 127.

VOLUME

PART EDIT [1/10]	
VOLUME	VOLUME
127	127

Une fois que vous avez sélectionné le point de partage du clavier (SPLIT POINT) pour le programme actuel (voir Édition de programme [PROGRAM EDIT]), vous pouvez choisir où doit jouer la section LOWER ou UPPER sélectionnée (aussi bien pour les zones de sons que pour les zones MIDI) de façon totalement indépendante comme suit :

SPLIT ASSIGN

PART EDIT [2/10]	
SPLIT ASSIGN	SPLIT ASSIGN
TO LEFT	TO RIGHT

TO LEFT : la partie jouera sur la gauche du clavier (de A0 à la note choisie comme point de partage avec SPLIT POINT) ;
 TO RIGHT : la partie jouera sur la droite du clavier (de la note choisie comme point de partage avec SPLIT POINT à C8) ;
 TO ALL : la partie jouera sur la totalité du clavier sans partage.

Cette fonction permettra de nombreuses combinaisons musicales, comme les quelques exemples suivants et leurs réglages inverses :

Piano sur la droite + basse sur la gauche du point de division ;
 Piano et cordes sur la droite + zones MIDI sur la gauche (pour contrôler les appareils externes) ;
 Orgue sur la totalité du clavier (TO ALL) et chœurs sur la partie droite uniquement.

Même avec un seul point de partage (réglable pour chaque Programme), il y a près de 100 réglages possibles, en considérant les statuts et combinaisons de LOWER + UPPER + ZONEA + ZONEB et les réglages de partage rendus possibles par cette fonction.

TRANSCOPE

PART EDIT [3/10]	
TRANSCOPE	TRANSCOPE
0	0

Cette fonction vous permet de transposer une partie ; elle diffère de la transposition globale (TRANSCOPE) qui affecte la totalité de l'instrument, car elle peut être réglée indépendamment pour chaque section de son ou zone MIDI et est mémorisée dans chaque Programme avec des valeurs différentes. D'intéressantes combinaisons sont obtenues en transposant un son d'un intervalle musical, comme en l'abaissant d'une quinte (-5 demi-tons) pour obtenir ce qu'on appelle communément un « cluster » à intervalles fixes. Essayez de sélectionner une trompette en section UPPER et un saxophone en section LOWER, puis de régler le saxophone 5 demi-tons plus bas, dans une configuration typiquement jazz.

OCTAVE

PART EDIT [4/10]	
OCTAVE	OCTAVE
0	0

Vous pouvez choisir séparément pour chaque partie son octave (des intervalles de 12 demi-tons pour chacune) ; normalement, vous aurez à hausser une partie LOWER d'une ou deux octaves si vous souhaitez jouer les accords dans la meilleure tessiture. D'un autre côté, vous pouvez parfois avoir un meilleur son quand le partage de clavier (SPLIT) est activé, si vous abaissez UPPER d'une ou deux octaves, ce qui peut être préférable si vous sélectionnez un saxophone ténor en combinaison avec un son de basse sur la gauche, puisque les notes plus basses et plus jolies du saxophone risqueraient sinon d'être sur la gauche du point de partage. Faites simplement des essais pour trouver votre réglage préféré et mémorisez-le dans le Programme actuel.

REV SEND

PART EDIT [5/10]	
REV SEND	REV SEND
64	64

Cette fonction vous permet de contrôler la quantité de signal envoyée au processeur de reverb, indépendamment pour les parties LOWER et UPPER, et avec des réglages propres à chaque Programme. Dans une configuration typique, si vous partagez le clavier et assignez un son de basse à la gauche, vous pouvez souhaiter réduire voire minimiser la quantité de reverb sur la partie gauche ou contrôler également ce réglage sur la partie UPPER pour obtenir l'effet désiré. Le potentiomètre MIX, en face avant, change le mixage général de réverbération (son sec/son d'effet) quel que soit le type de reverb sélectionné et la quantité de signal envoyée.

PEDAL 1 - PEDAL 2

PART EDIT [6/10]	
PEDAL 1	PEDAL 1
ON	ON

Ici vous pouvez choisir d'activer ou non les pédales pour chaque section (UPPER/LOWER ou ZONE A et ZONE B si la touche MIDI est activée).

STICK 1 - STICK 2

PART EDIT [8/10]	
STICK 1	STICK 1
ON	ON

Comme pour les pédales, les Sticks peuvent également être activés séparément pour les parties et les zones ; veuillez noter que le Stick 2 sera automatiquement réglé sur AUTO si la fonction FX AUTOSET correspondante est réglée sur ON dans la zone d'édition globale. Pour contrôler manuellement l'assignation du

Stick 2, vous pouvez régler FX-AUTOSET sur OFF et la fonction peut être commutée ON ou OFF et mémorisée dans les Programmes.

Ce paramètre active ou désactive la fonction d'aftertouch sur la partie ou la zone sélectionnée ; la fonction de l'aftertouch sera dans la plupart des cas la même que la commande de modulation du Stick 2, ajoutant une sorte de vibrato ou modulation similaire au son, en fonction du réglage. Normalement, vous réglerez l'aftertouch sur ON pour la partie UPPER, qui est habituellement utilisée pour la partie musicale principale ou le jeu en solo, tandis que la partie LOWER est normalement associée aux accompagnements ou lignes de basse, si le partage du clavier (SPLIT) est activé.

A.TOUCH

PART EDIT [10/10]	
A.TOUCH ON	A.TOUCH ON

MIDI

Le Numa Compact 2 permet de contrôler 2 zones MIDI indépendantes, chacune avec tous les paramètres correspondants ; le résultat peut être mémorisé dans le programme actuel, avec les réglages des sections LOWER et UPPER internes, avec un point de partage (SPLIT) commun et des réglages indépendants. Passez en revue les fonctions avec la touche MIDI sélectionnée et la touche EDIT activée : la valeur de la fonction actuellement sélectionnée s'affiche à l'écran et peut être réglée en tournant l'encodeur. Tourner l'encodeur quand la touche MIDI est allumée vous permet de directement changer le volume de la zone MIDI sélectionnée.

Édition de programme

L'édition de Programme (PROGRAM EDIT), expliquée dans le chapitre correspondant, est commune au son et au MIDI ; elle se réfère aux paramètres généraux associés à la fois aux sections SOUND et MIDI. Avec les pages d'édition de zone (ZONE EDIT) suivantes, vous pouvez régler les paramètres spécifiques de zone MIDI à votre goût et les mémoriser (STORE) dans le même programme, avec le même nom et le même numéro que tous les autres paramètres réglés pour les sons internes.

Édition de zone

Si le curseur est sur une des zones et que vous êtes en mode MIDI (touche MIDI sélectionnée et allumée), vous êtes en mode d'édition de zone ; quand vous avez sélectionné l'édition de zone, vous pouvez toujours presser la touche ZONE A ou ZONE B pour sélectionner la zone à éditer, ou presser l'encodeur pour déplacer le curseur comme pour toutes les autres fonctions de l'instrument.



L'édition de zone comprend les paramètres suivants :

PRG CHG

ZONE EDIT [1/13]	
PRG CHG	PRG CHG
0	0

Vous pouvez choisir ici le numéro de programme voulu sur l'appareil ou générateur de sons contrôlé, en vous référant à la carte des sons propre à l'appareil/plug-in VST/générateur de sons connecté. La plage de valeur va de 1 à 127.

BANK LSB - MSB

ZONE EDIT [2/13]	
BANK LSB	BANK LSB
0	0

LSB signifie Least Significant Byte (octet de poids faible), MSB signifie Most Significant B (octet de poids fort) et ils permettent de contrôler et de sélectionner plus de banques de 127 Programmes standard ou de nombreuses autres fonctions, définies par la norme MIDI ; pour saisir les numéros corrects, vous devez vous référer au tableau d'équipement MIDI de l'appareil contrôlé, dans lequel chaque son est défini avec les données MIDI nécessaires à sa sélection et à son contrôle.

MIDI CH

ZONE EDIT [4/13]	
MIDI CH	MIDI CH
2	1

Vous pouvez sélectionner le canal MIDI (MIDI CH pour MIDI Channel, d'une valeur de 1 à 16) pour chaque zone, afin de contrôler 2 appareils externes ou générateurs de sons différents.

En tournant l'encodeur après l'avoir pressé pour amener le curseur sur le paramètre, vous pouvez contrôler le volume de la partie sélectionnée, dans une plage de 0 à 127 ; les volumes de zone peuvent également être contrôlés directement hors du mode d'édition, quand la touche MIDI est allumée et que le curseur est sur une des zones.

Une fois que vous avez sélectionné le point de partage du clavier (SPLIT POINT) pour le programme actuel (voir Édition de programme [PROGRAM EDIT]), vous pouvez choisir où doit jouer la zone sélectionnée, de façon totalement indépendante comme suit :

TO LEFT : la zone jouera sur la gauche du clavier (de A0 à la note choisie comme point de partage avec SPLIT POINT) ;

TO RIGHT : la zone jouera sur la droite du clavier (de la note choisie comme point de partage avec SPLIT POINT à C8) ;

TO ALL : la zone jouera avec aucune division du clavier.

Même avec un seul point de partage (réglable pour chaque Programme), il y a près de 100 réglages possibles, en considérant les statuts et combinaisons de LOWER + UPPER + ZONEA + ZONEB et les réglages de partage rendus possibles par cette fonction.

Cette fonction vous permet de transposer une zone ; elle diffère de la transposition globale (TRANSPOSER) qui affecte la totalité de l'instrument, car elle peut être réglée indépendamment pour chaque zone MIDI et est mémorisée dans chaque Programme avec des valeurs différentes.

Vous pouvez choisir séparément pour chaque zone son octave (des intervalles de 12 demi-tons pour chacune) ; normalement, vous aurez à monter la zone de gauche d'un clavier partagé d'une ou deux octaves pour jouer les accords dans une meilleure tessiture. À l'opposé, vous pouvez parfois obtenir un meilleur son si vous baissez la zone de droite d'une ou deux octaves ; faites simplement des essais pour trouver votre réglage préféré et mémorisez-le dans le Programme actuel.

Ici vous pouvez choisir d'activer ou non les pédales pour chaque zone, selon l'endroit où se trouve le curseur (ZONE A ou ZONE B).

Comme pour les pédales, les Sticks peuvent également être activés séparément pour les zones ; veuillez noter que le Stick 2 sera automatiquement réglé sur AUTO si la fonction FX AUTOSSET correspondante est réglée sur ON dans la zone d'édition globale. Pour contrôler manuellement l'assignation du Stick 2,

VOLUME

ZONE EDIT [5/13]	
VOLUME	VOLUME
64	64

SPLIT ASSIGN

ZONE EDIT [6/13]	
SPLIT ASSIGN	SPLIT ASSIGN
TO LEFT	TO RIGHT

TRANSPOSE

ZONE EDIT [7/13]	
TRANSPOSE	TRANSPOSE
0	0

OCTAVE

ZONE EDIT [8/13]	
OCTAVE	OCTAVE
0	0

PEDAL 1 - PEDAL 2

ZONE EDIT [9/13]	
PEDAL 1	PEDAL 1
ON	ON

STICK 1 - STICK 2

ZONE EDIT [11/13]	
STICK 1	STICK 1
ON	ON

vous pouvez régler FX AUTOSET sur OFF et la fonction peut être commutée ON ou OFF et mémorisée dans les Programmes.

A.TOUCH



Ce paramètre active ou désactive la fonction d'aftertouch sur la zone sélectionnée ; la fonction de l'aftertouch sera dans la plupart des cas la même que la commande de modulation du Stick 2, ajoutant une sorte de vibrato ou modulation similaire au son, en fonction du réglage. Normalement, vous réglerez l'aftertouch sur ON pour la zone UPPER, qui est habituellement utilisée pour la partie musicale principale ou le jeu en solo, tandis que la zone LOWER est normalement associée aux accompagnements ou lignes de basse, si le partage du clavier (SPLIT) est activé, toutefois vous êtes totalement libre de choisir le réglage qui vous convient.

Chaque produit Studiologic de Fatar a été soigneusement fabriqué, étalonné et testé, et bénéficie d'une garantie. Les dommages causés par un transport, une fixation ou une manipulation incorrects ne sont pas couverts par cette garantie. Toute indemnisation dépassant le prix de l'appareil est exclue. Pour de plus amples informations, adressez-vous exclusivement à votre revendeur et/ou distributeur local. Les conditions générales sont celles dictées par le distributeur local/FATAR srl, Italie.

FATAR Srl
 Zona Ind.le Squartabue
 62019 Recanati MC Italie
 déclare que ce produit est conforme aux directives européennes :
 2004/108/CE Directive concernant la compatibilité électromagnétique
 DIN EN 55013 Perturbations radioélectriques des récepteurs de radiodiffusion et de télévision et équipements associés
 DIN EN 55020 Caractéristiques d'immunité électromagnétique des récepteurs de radiodiffusion et de télévision et équipements associés

Recanati, 17. 01. 2017 Marco Ragni, Président-directeur général

Cette déclaration devient caduque si l'appareil est modifié sans approbation.

Ce produit est fabriqué conformément à la directive 2002/95/CE.

L'objectif de la directive 2003/108/CE est, en priorité, la prévention des déchets d'équipements électriques et électroniques (DEEE), et en outre, la réutilisation, le recyclage et les autres formes de valorisation de ces déchets afin d'en réduire l'élimination. Merci de nous aider à garder notre environnement propre.

Afin d'assurer une qualité maximale, tous les appareils Studiologic de Fatar sont toujours conçus pour être à la pointe de la technologie, donc des mises à jour, modifications et améliorations sont apportées sans avis préalable. Les caractéristiques techniques et l'aspect du produit peuvent différer de ce qui est indiqué dans ce mode d'emploi.

Toutes les marques commerciales citées dans ce mode d'emploi sont la propriété de leurs détenteurs respectifs.

Aucune partie de ce mode d'emploi ne peut être reproduite ou transmise, sous quelque forme ou par quelque moyen que ce soit, sans l'accord préalable du détenteur des droits d'auteur :

FATAR Srl
 Zona Ind.le Squartabue
 62019 Recanati, Italie

Garantie

Conformité CE



Conformité RoHS



Déchets/DEEE



À la pointe du progrès

Marques commerciales

Copyright

Numa Compact 2x

Appendix

Appendix

Sound map			
	SOUND NAME	MIDI BANK	PROGRAM CHANGE
A.PIANOS	Concert	0	0
	Stage	1	0
	Vintage	2	0
	Studio	3	0
	Rock	0	1
	Upright	0	3
	E-Grand1	0	2
	E-Grand2	1	2
E.PIANO	EP-Mark1	0	4
	Wurlix	1	4
	E-Pno1	0	5
	E-Pno2	1	5
	DxFm1	2	5
	DxFm2	3	5
	DxFm3	4	5
	DxFm4	5	5
KEYS	Clavi	0	7
	Harpsi	0	6
	Vibes	0	11
	Marimba	0	12
	Funklav	1	7
	Cembalo	1	6
	ReedOrg	0	20
	GloKeys	0	9
BASS/GUITAR	Ac-Bass	0	32
	El-Bass	1	33
	Slap	0	36
	Plucked	0	34
	Ny-Guitar	0	24
	El-Guitar	0	27
	Ac-Guitar	0	25
	Jz-Guitar	0	26
	2 Guitars	1	24
	12 Strings	1	25
BassRide1	1	32	
BassRide2	1	33	
ORGANS	JazzOrg1	0	17
	JazzOrg2	1	17
	DrawbVib	0	16
	AllDrawb	1	16
	888-Pure	0	18
	888-Scan	1	18
	MildSet	2	16
	AllEven	3	16

	SOUND NAME	MIDI BANK	PROGRAM CHANGE
ORGANS	V-Org	4	16
	F-Org	5	16
	Pipe1	1	19
	Pipe2	0	19
SYNTH	SynthPad	0	89
	SynHouse	1	7
	SweetSaw	2	7
	WowPad	0	95
	Soloist	4	7
	Funky	5	7
	SynBass1	6	7
	SynBass2	7	7
	Jump	0	81
	SynBrass	9	7
	Square	0	80
Cluster	11	86	
ORCHESTRA	Strings1	0	49
	Strings2	0	50
	Horns	0	60
	Brass	0	61
	Baroque	1	49
	BigBand	1	61
	BrassFall	2	61
	SaxBand	1	66
	TenorSax	0	66
	JazzFlute	0	73
	Trumpet	0	56
Oboe	0	68	
OTHER	Cassotto	0	23
	Accordition	0	21
	Musette	1	22
	Harmonica	0	22
	ChoirAh	0	52
	ChoirOh	0	53
	ChoirUh	1	53
	ChoirSint	0	54
	Bouzouki	1	104
	Kanoun	1	107
	Oud	1	105
	Cawala	1	75
	Mizmar	1	111
	Nai	1	72
StndKit	14	5	
WorldKit	15	5	

MIDI Implementation Chart

Studiologic Numa Compact, Version 1.00			
Basic information		Transmitted	Recognized
MIDI channels		1 - 16	1, 2, 16 (common ch.)
Note numbers		0 - 127	0 - 127
Program change		0 - 127	ch 1,2: 0, 1, 2, 4, 5, 7, 17, 18, 32, 33, 48, 50 ch 16: performance change (00-99)
Bank select		yes	no
MIDI Mode		---	multi
Note-On velocity		yes	yes
Note-Off velocity		yes	yes
Aftertouch		yes	yes
Pitch Bend		yes	yes
MIDI CC		Transmitted	Recognized
1	Modulation	yes	ch 1,2: sound modulation; ch 16: EFX control
7	Volume	yes	ch 1,2: sound level;
11	Expression	yes	yes
64	Sustain	yes	yes
91	Reverb EFX	yes	ch 1,2: reverb send, ch 16: reverb level
93	Modulation EFX	yes	ch 16: efx level
123	All notes off	yes	yes

Please note: MIDI CC not listed above are not supported by the instrument.

Specifications
Specifiche tecniche
Caractéristiques techniques
Technische Daten

Studiologic Numa Compact 2		
Keyboard	Number of Keys	88
	Type	Semi-weighted Action TP/9 PIANO with Aftertouch
	Velocity Curves	3 default velocity curves + fixed curve with programmable value
Display	Type	OLED
	Resolution	128 x 64 dots
User Interface	Encoder	Rotation + push
	Controls	7 potentiometer 20 buttons 2 sticks
Inputs	Pedals	Expression + universal
Connections	MIDI	In - Out
	USB	Midi In/Out, USB to HOST, power
Power Supply	DC IN	12V - 2,5A
	Adapter	Input:100-240V Output: 12V-2,5A
Weight		7,1 Kg / 15,6 lbs

Dimensions
Dimensioni
Dimensions
Abmessungen



Design and Specifications are subject to change without notice.
 Il design e le specifiche tecniche sono soggette a modifica senza preavviso.
 Design et caractéristiques techniques sont sujets à changement sans préavis.
 Technische Änderungen vorbehalten.

