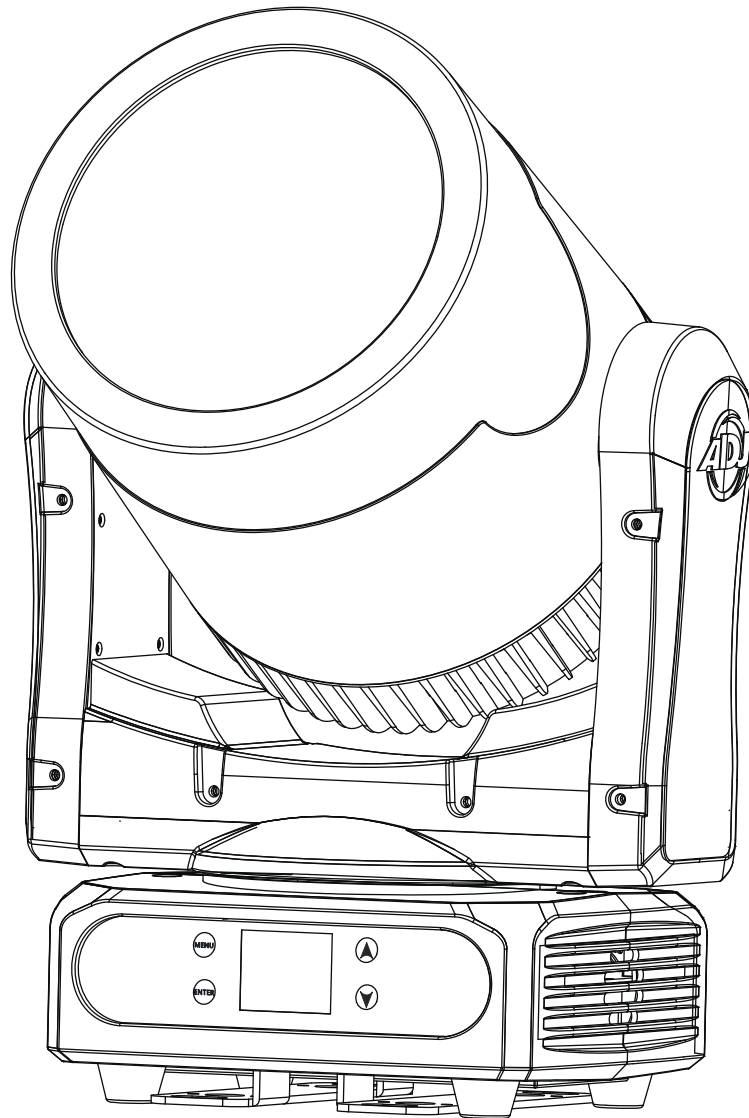




PAR Z MOVE



User Instructions



©2019 ADJ Products, LLC all rights reserved. Information, specifications, diagrams, images, and instructions herein are subject to change without notice. ADJ Products, LLC logo and identifying product names and numbers herein are trademarks of ADJ Products, LLC. Copyright protection claimed includes all forms and matters of copyrightable materials and information now allowed by statutory or judicial law or hereinafter granted. Product names used in this document may be trademarks or registered trademarks of their respective companies and are hereby acknowledged. All non-ADJ Products, LLC brands and product names are trademarks or registered trademarks of their respective companies.

ADJ Products, LLC and all affiliated companies hereby disclaim any and all liabilities for property, equipment, building, and electrical damages, injuries to any persons, and direct or indirect economic loss associated with the use or reliance of any information contained within this document, and/or as a result of the improper, unsafe, insufficient and negligent assembly, installation, rigging, and operation of this product.

FCC STATEMENT

This device complies with Part 15 of the FCC Rules. Operation is subject to the following two conditions: (1) this device may not cause harmful interference, and (2) this device must accept any interference received, including interference that may cause undesired operation.

FCC RADIO FREQUENCY INTERFERENCE WARNINGS & INSTRUCTIONS

This product has been tested and found to comply with the limits as per Part 15 of the FCC Rules. These limits are designed to provide reasonable protection against harmful interference in a residential installation. This device uses and can radiate radio frequency energy and, if not installed and used in accordance with the included instructions, may cause harmful interference to radio communications. However, there is no guarantee that interference will not occur in a particular installation. If this device does cause harmful interference to radio or television reception, which can be determined by turning the device off and on, the user is encouraged to try to correct the interference by one or more of the following methods:

- Reorient or relocate the device.
- Increase the separation between the device and the receiver.
- Connect the device to an electrical outlet on a circuit different from which the radio receiver is connected.
- Consult the dealer or an experienced radio/TV technician for help.

DOCUMENT VERSION

Due to additional product features and/or enhancements, an updated version of this document may be available online.

Please check www.adj.com for the latest revision/update of this manual before beginning installation and/or programming.

Date	Document Version	Software Version ≥	DMX Channel Modes	Notes
02/21/19	1	1.0	7/9/11	Initial Release

Europe Energy Saving Notice

Energy Saving Matters (EuP 2009/125/EC)

Saving electric energy is a key to help protecting the environment. Please turn off all electrical products when they are not in use. To avoid power consumption in idle mode, disconnect all electrical equipment from power when not in use. Thank you!

Introduction	3
Features Warranty Registration	4
Safety Precautions	5
Installation	7
Overview	9
DMX Set Up	10
DMX Addressing	12
DMX Channel Modes & Values	13
System Menu	14
Operating Instructions	16
Dimmer Mode Chart	25
Dimensional Drawings	26
Power Linking Trouble Shooting Cleaning	27
Limited Warranty	28
Technical Specifications	29

Unpacking: Thank you for purchasing the Par Z Move by ADJ Products, LLC. Every unit has been thoroughly tested and has been shipped in perfect operating condition. Carefully check the shipping carton for damage that may have occurred during shipping. If the carton appears to be damaged, carefully inspect your fixture for any damage and be sure all accessories necessary to operate the unit has arrived intact. In the case damage has been found or parts are missing, please contact our toll free customer support number for further instructions. Do not return this unit to your dealer without first contacting customer support.

Introduction: The Par Z Move is a DMX intelligent, moving head, LED fixture. This fixture can be used in a stand alone mode or connected in a Hjä Yjq/S [gf \ Yjq configuration. The fixture comes equipped with motorized focus and zoom, 6 different dimming options The Par Z Move has 3 DMX channel modes; 7, 9, & 11. ***This product is intended to be used by professionally trained personnel only and is not suitable for private use.***

Customer Support: Contact ADJ Service for any product related service and support needs. Also visit forums.adj.com with questions, comments or suggestions.

Parts: To purchase parts online visit <http://parts.americandj.com>

ADJ SERVICE USA - Monday - Friday 8:00am to 4:30pm PST

Voice: 800-322-6337 | Fax: 323-582-2941 | support@adj.com

ADJ SERVICE EUROPE - Monday - Friday 08:30 to 17:00 CET

Voice: +31 45 546 85 60 | Fax: +31 45 546 85 96 | support@adj.eu

ADJ PRODUCTS LLC USA

6122 S. Eastern Ave. Los Angeles, CA. 90040

323-582-2650 | Fax 323-532-2941 | www.adj.com | info@adj.com

ADJ SUPPLY Europe B.V

Junostraat 2 6468 EW Kerkrade, The Netherlands

+31 (0)45 546 85 00 | Fax +31 45 546 85 99

www.adj.eu | info@americandj.eu

ADJ PRODUCTS GROUP Mexico

AV Santa Ana 30 Parque Industrial Lerma, Lerma, Mexico 52000

+52 (728) 282-7070

Caution! There are no user serviceable parts inside this unit. Do not attempt any repairs yourself, doing so will void your manufactures warranty. In the unlikely event your unit may require service please contact ADJ Products, LLC.

PLEASE recycle the shipping carton when ever possible.

Par Z Move

Features

- Electronic Dimming 0-100%
- DMX-512 protocol
- Locking 3-Pin and 5-Pin XLR Connector In/Out
- 3 DMX Channel Modes: 7/9/11
- Multiple Unit Power Linking (See page 32)

Included:

- 1 x Locking Power Cable
- 2 x Omega Brackets

Par Z Move

Warranty Registration

The Par Z Move carries a 2 year limited warranty. Please fill out the enclosed warranty card to validate your purchase. All returned service items whether under warranty or not, must be freight pre-paid and accompany a return authorization (R.A.) number. The R.A. number must be clearly written on the outside of the return package. A brief description of the problem as well as the R.A. number must also be written down on a piece of paper included in the shipping carton. If the unit is under warranty, you must provide a copy of your proof of purchase invoice. You may obtain a R.A. number by contacting our customer support team on our customer support number. All packages returned to the service department not displaying a R.A. number on the outside of the package will be returned to the shipper.

- Do not attempt to operate this unit if the power cord has been frayed or broken. Do not attempt to remove or break off the ground prong from the electrical cord. This prong is used to reduce the risk of electrical shock and fire in case of an internal short.
- Disconnect from main power before making any type of connection.
- Do not remove the cover under any conditions. There are no user serviceable parts inside.
- Never operate this unit when it's cover is removed.
- Never plug this unit in to a dimmer pack
- Always be sure to mount this unit in an area that will allow proper ventilation. Allow about 6" (15cm) between this device and a wall.
- Do not attempt to operate this unit, if it becomes damaged.
- During long periods of non-use, disconnect the unit's main power.
- Always mount this unit in safe and stable matter.
- Power-supply cords should be routed so that they are not likely to be walked on or pinched by items placed upon or against them, paying particular attention to the point they exit from the unit.
- Cleaning -The fixture should be cleaned only as recommended by the manufacturer. See page 23 for cleaning details.
- Heat -The appliance should be situated away from heat sources such as radiators, heat registers, stoves, or other appliances (including amplifiers) that produce heat.
- The fixture should be serviced by qualified service personnel when:
 - A. The power-supply cord or the plug has been damaged.
 - B. Objects have fallen, or liquid has been spilled into the fixture.
 - C. The fixture does not appear to operate normally or exhibits a marked change in performance.
 - D. The fixture has fallen and/or subjected to extreme handling.

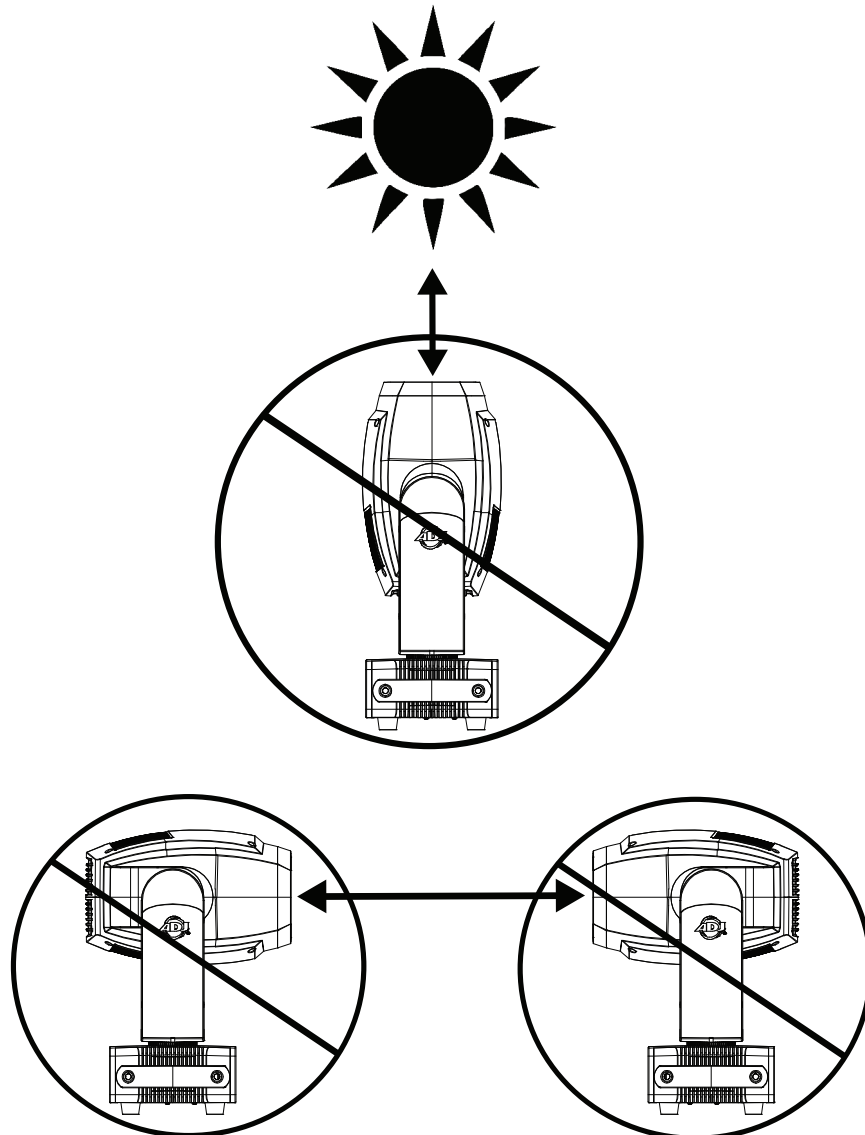
POTENTIAL INTERNAL FIXTURE DAMAGE FROM EXTERNAL SOURCES OF LIGHT BEAMS

External sources of light beams from direct sunlight, lighting moving head fixtures, and lasers, which are focused directly towards the exterior housing and/or penetrate the front lens opening of ADJ lighting fixtures, can cause severe internal damage including burning to optics, dichroic color filters, glass and metal gobos, prisms, animation wheels, frost filters, iris, shutters, motors, belts, wiring, discharge lamps, and LEDs.

This issue is not specific only to ADJ lighting fixtures, it is a common issue with lighting fixtures from all manufacturers. Although there is no true way to fully prevent this issue from happening, the guidelines below can prevent any potential damage from occurring if followed. Contact ADJ Service for more details.

DO NOT EXPOSE THE FIXTURE AND/OR FRONT LENS OPENING TO LIGHT BEAMS FROM DIRECT SUNLIGHT, OTHER LIGHTING MOVING HEAD FIXTURES, AND LASERS WHILE UNPACKING, INSTALLATION, USE, AND EXTENDED IDLE TIMES OUTDOORS.

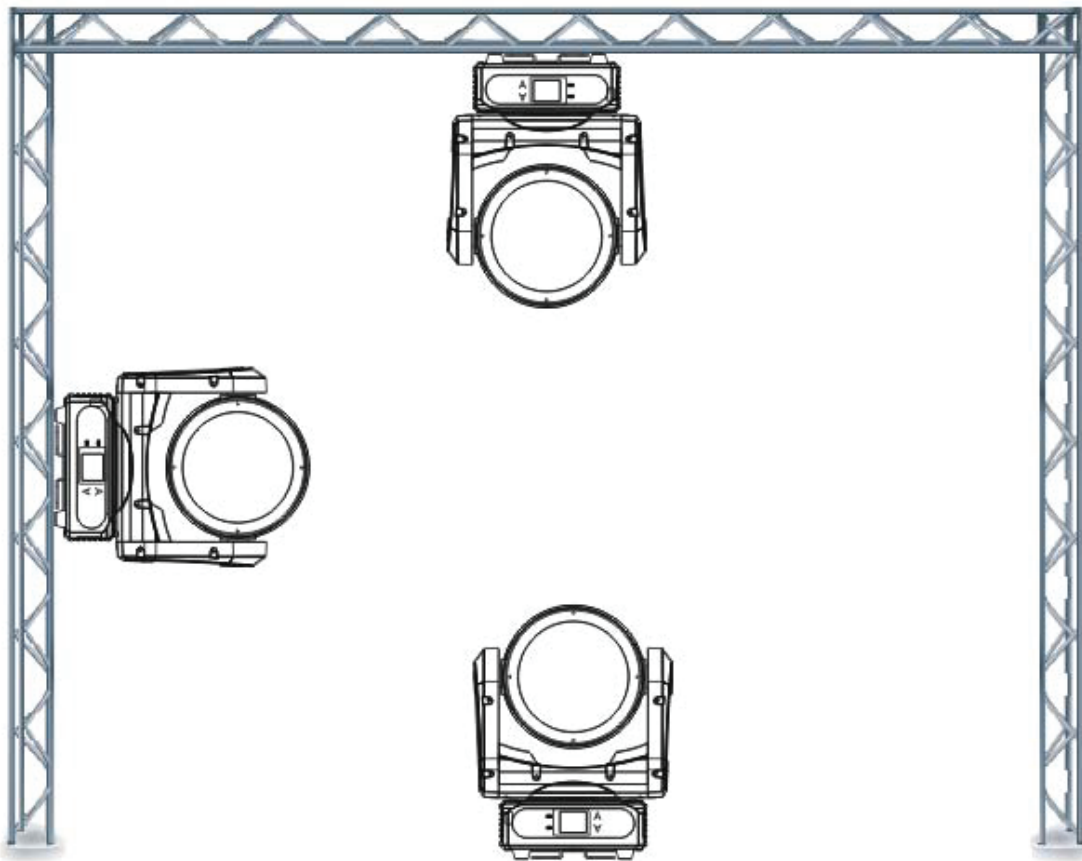
DO NOT FOCUS A LIGHT BEAM FROM ONE LIGHTING FIXTURE DIRECTLY TOWARDS ANOTHER.



When installing the unit, the trussing or area of installation must be able to hold 10 times the weight without any deformation. When installing the unit must be secured with a secondary safety attachment, e.g. and appropriate safety cable. Never stand directly below the unit when mounting, removing, or servicing the unit.

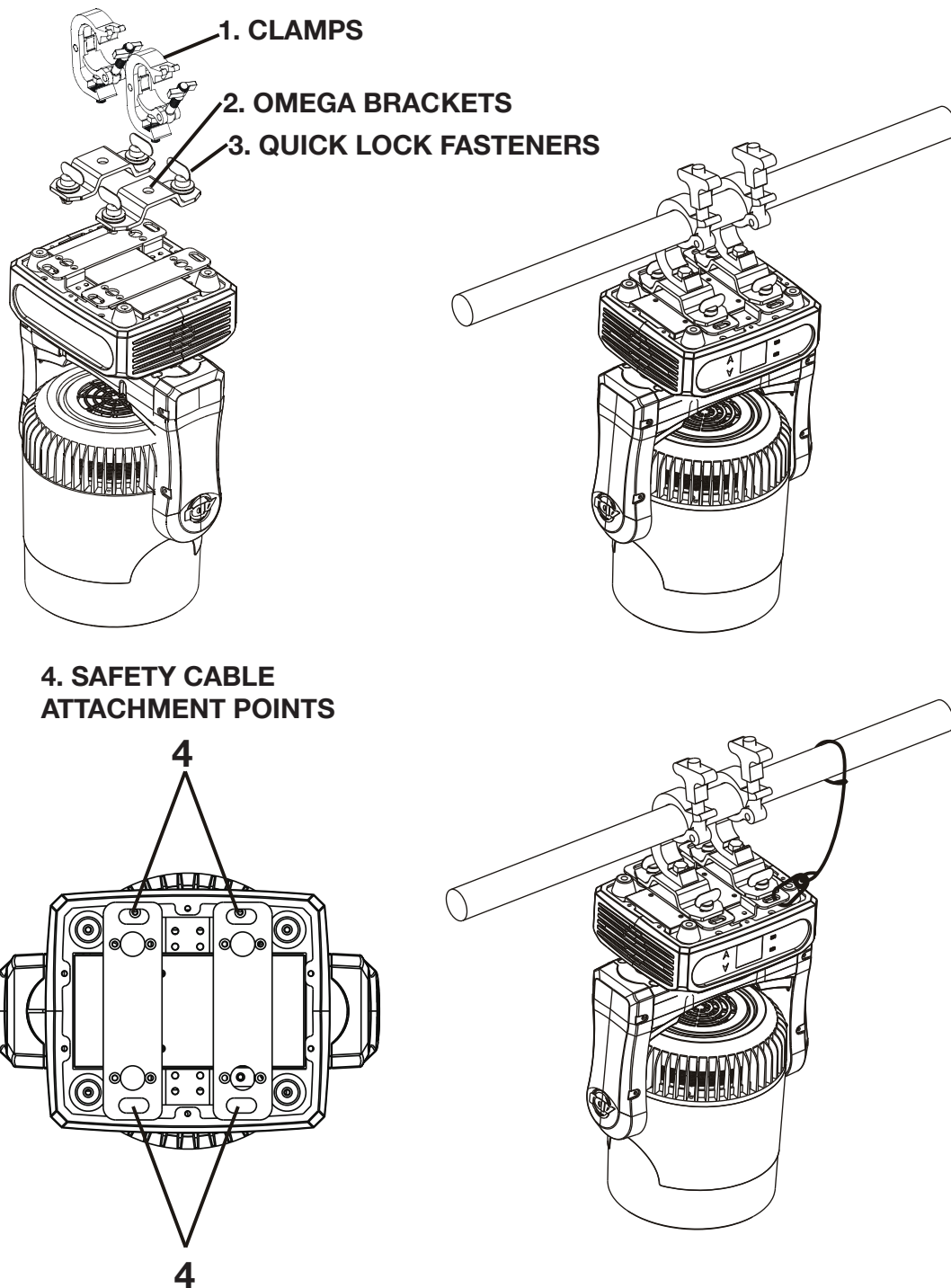
Overhead mounting requires extensive experience, including calculating working load limits, installation material being used, and periodic safety inspection of all installation material and unit. If you lack these qualifications, do not attempt the installation yourself.

These installaiton should be checked by a skilled person once a year.

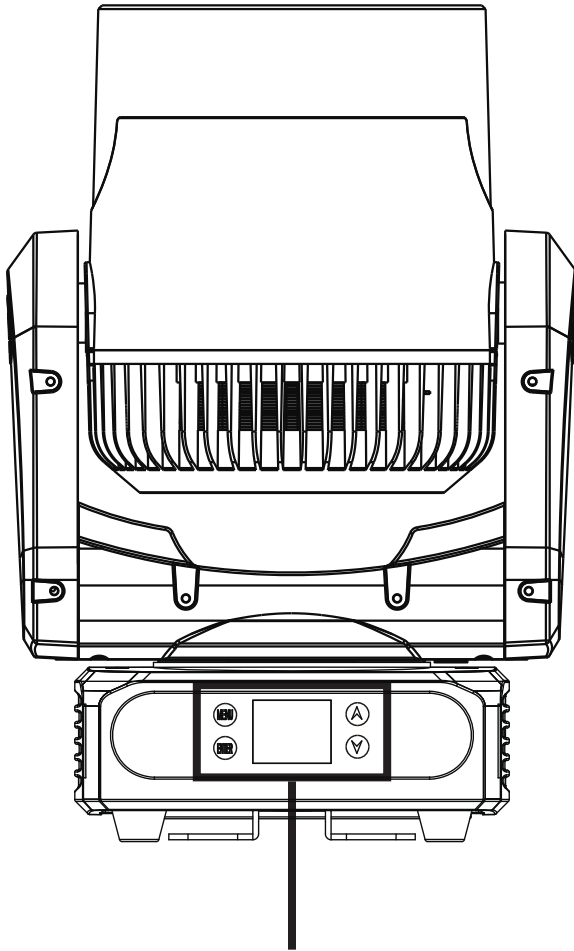


The Par Z Move is fully operational in three different mounting positions, hanging upside-down from a ceiling or trussing, sideways on trussing, or set on a flat level surface. Be sure this fixture is kept at least 12m (40ft) away from any flammable materials (decoration etc.). Always use and install the supplied safety cable as a safety measure to prevent accidental damage and/or injury in the event the clamp fails (see next page). Never use the carrying handles for secondary attachment.

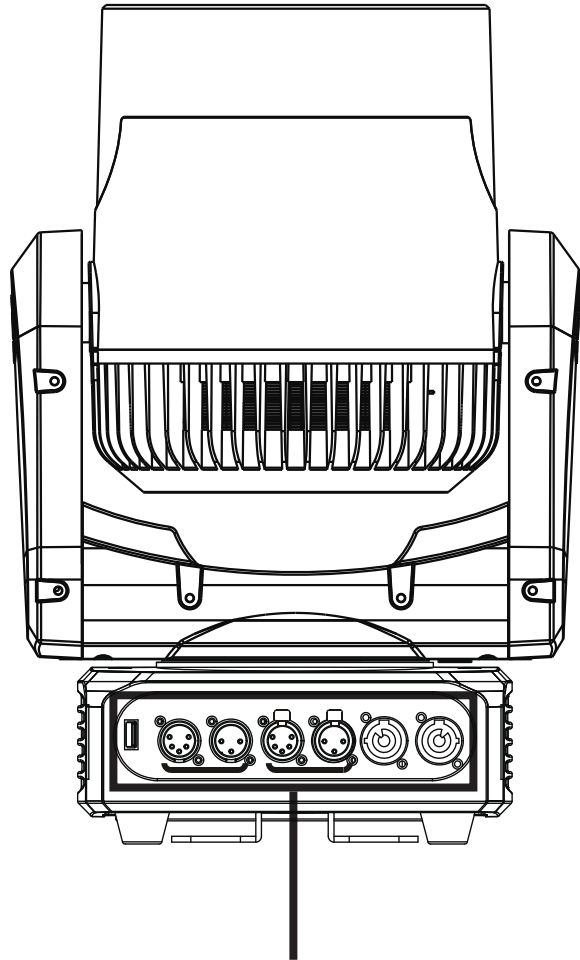
NOTICE: The suitable environmental temperature for this lighting fixture is between -25° C to 45° C. Do not place this lighting fixture in an environment where the temperatures are under or above the temperatures stated above. This will allow the fixture to run at its best and help prolong the fixture life.



Screw one clamp each via a M12 screw and nut into the Omega brackets. Insert the quick-lock fasteners of the Omega brackets into the respective holes on the bottom of the Par Z Move. Tighten the quick-lock fasteners fully clockwise. Pull a safety cable through the safety cable attachment points located on the base plate and over the trussing system or a safe fixation spot. Insert the end in the carabine and tighten the safety screw.



LED Display
Mode Button
Enter Button
Up Button
Down Button



Service Port
5-Pin XLR In
3-Pin XLR In
5-Pin XLR Out
3-Pin XLR Out
Power In
Power Out

DMX-512: DMX is short for Digital Multiplex. This is a universal protocol used as a form of communication between intelligent fixtures and controllers. A DMX controller sends DMX data instructions from the controller to the fixture. DMX data is sent as serial data that travels from fixture to fixture via the DATA “IN” and DATA “OUT” XLR terminals located on all DMX fixtures (most controllers only have a DATA “OUT” terminal).

DMX Linking: DMX is a language allowing all makes and models of different manufactures to be linked together and operate from a single controller, as long as all fixtures and the controller are DMX compliant. To ensure proper DMX data transmission, when using several DMX fixtures try to use the shortest cable path possible. The order in which fixtures are connected in a DMX line does not influence the DMX addressing. For example; a fixture assigned a DMX address of 1 may be placed anywhere in a DMX line, at the beginning, at the end, or anywhere in the middle. When a fixture is assigned a DMX address of 1, the DMX controller knows to send DATA assigned to address 1 to that unit, no matter where it is located in the DMX chain.

Data Cable (DMX Cable) Requirements (For DMX Operation): The Par Z Move can be controlled via DMX-512 protocol. The Par Z Move has 3 DMX channel modes. The DMX address is set on the front panel of the Par Z Move. Your unit and your DMX controller require either a standard 3-pin or 5-pin XLR connector for data input and data output. We recommend Accu-Cable DMX cables. If you are making your own cables, be sure to use standard 110-120 Ohm shielded cable (This cable may be purchased at almost all pro lighting stores). Your cables should be made with a male and female XLR connector on either end of the cable. Also remember that DMX cable must be daisy chained and cannot be split.

Notice: Be sure to follow figures two and three when making your own cables. Do not use the ground lug on the XLR connector. Do not connect the cable’s shield conductor to the ground lug or allow the shield conductor to come in contact with the XLR’s outer casing. Grounding the shield could cause a short circuit and erratic behavior.

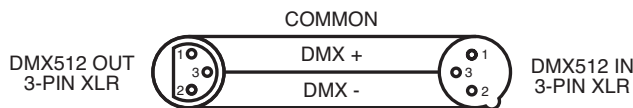


Figure 1

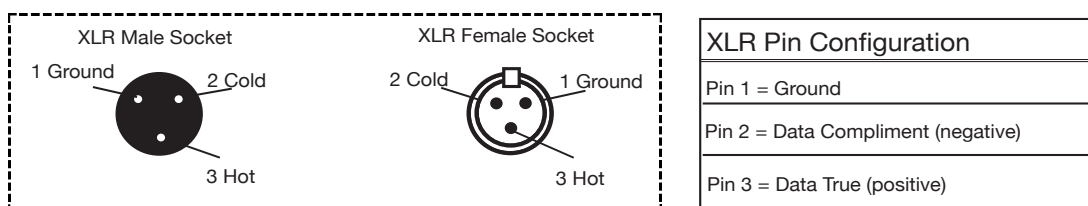
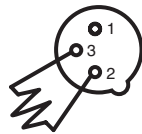


Figure 2

Special Note: Line Termination. When longer runs of cable are used, you may need to use a terminator on the last unit to avoid erratic behavior. A terminator is a 110-120 ohm 1/4 watt resistor which is connected between pins 2 and 3 of a male XLR connector (DATA + and DATA -). This unit is inserted in the female XLR connector of the last unit in your daisy chain to terminate the line. Using a cable terminator (ADJ part number Z-DMX/T) will decrease the possibilities of erratic behavior.



Termination reduces signal errors and avoids signal transmission problems and interference. It is always advisable to connect a DMX terminal, (Resistance 120 Ohm 1/4 W) between PIN 2 (DMX-) and PIN 3 (DMX +) of the last fixture.

Figure 3

5-Pin XLR DMX Connectors. Some manufactures use 5-pin DMX-512 data cables for DATA transmission in place of 3-pin. 5-pin DMX fixtures may be implemented in a 3-pin DMX line. When inserting standard 5-pin data cables in to a 3-pin line a cable adaptor must be used, these adaptors are readily available at most electric stores. The chart below details a proper cable conversion.

3-Pin XLR to 5-Pin XLR Conversion		
Conductor	3-Pin XLR Female (Out)	5-Pin XLR Male (In)
Ground/Shield	Pin 1	Pin 1
Data Compliment (- signal)	Pin 2	Pin 2
Data True (+ signal)	Pin 3	Pin 3
Not Used		Do Not Use
Not Used		Do Not Use

All fixtures should be given a DMX starting address when using a DMX controller, so the correct fixture responds to the correct control signal. This digital starting address is the channel number from which the fixture starts to “listen” to the digital control signal sent out from the DMX controller. The assignment of this starting DMX address is achieved by setting the correct DMX address on the digital control display on the fixture.

You can set the same starting address for all fixtures or a group of fixtures, or set different addresses for each individual fixture. Setting all fixtures to the same DMX address will cause all fixtures to react in the same way, in other words, changing the settings of one channel will affect all the fixtures simultaneously.

If you set each fixture to a different DMX address, each unit will start to “listen” to the channel number you have set, based on the quantity of DMX channels of each fixture. That means changing the settings of one channel will only affect the selected fixture.

In the case of the Par Z Move, when in 7 channel mode you should set the starting DMX address of the first unit to 1, the second unit to 8 ($7 + 1$), the third unit to 15 ($8 + 7$), and so on. (See the chart below for more details.)

Channel Mode	Unit 1 Address	Unit 2 Address	Unit 3 Address	Unit 4 Address
7 Channels	1	8	15	22
9 Channels	1	10	19	28
11 Channels	1	12	23	34

7 CH	9 CH	11 CH	VALUES	FUNCTIONS
1	1	1	000-255	PAN MOVEMENT (8-BIT) 0-100% (0°-540°)
	2	2	000-255	PAN FINE (16-BIT)
2	3	3	000-255	TILT MOVEMENT (8-BIT) 0-100% (0°-200°)
	4	4	000-255	TILT FINE
				SHUTTER & STROBING
		5	000-031	LED OFF
			032-063	LED ON
			064-095	STROBING SLOW-FAST
			096-127	LED ON
			128-159	PULSE STROBING
			160-191	LED ON
			192-223	RANDOM STROBING SLOW-FAST
			224-255	LED ON
3	5	6	000-255	PRIMARY DIMMER 0~100%
4	6	7	000-255	PRIMARY DIMMER FINE 0~100%
5	7	8	000-255	ZOOM 10°-40°
				DIMMER MODES
		9	000-020	STANDARD
			021-040	STAGE
			041-060	TV
			061-080	ARCHITECTURAL
			081-100	THEATRE
			101-120	STAGE 2
			121-140	DIMMER SPEED FAST-SLOW (0.1-10S)
			141-255	DEFAULT TO UNIT SETTING
6	8	10	000-255	PAN/TILT MOVEMENT SPEED SLOW-FAST
				SPECIAL FUNCTIONS
		11	000-069	NO FUNCTION
			070-079	BLACKOUT WITH PAN/TILT MOVEMENT ENABLED
			080-089	BLACKOUT WITH PAN/TILT MOVEMENT DISABLED
			090-099	RESET ALL
			100-109	RESET ZOOM
			110-119	RESET PAN/TILT
			120-255	NO FUNCTION

MENU	SUBMENU	OPTIONS	DESCRIPTION
DMX Settings	DMX Address	001-512	DMX Addressing
	DMX CH Mode	7Ch / 9Ch / 11Ch	DMX Channel Mode Selection
	No DMX Status	Hold Last / Blackout / Manual	DMX Lost Status
Personality	Status Settings	Pan Invert: ON / OFF	Reverse Pan Motion
		Tilt Invert: ON / OFF	Reverse Tilt Motion
		P/T Feedback: ON / OFF	Pan/Tilt Movement Feedback
		P/T Speed: Speed 1 / Speed 2	Pan/Tilt Movement Speed
		Hibernation: Off / 01M~99M / 15M	Sleep Setting (No Activity)
	Fan Settings	Head: Auto / High / Silent (Low)	Fan Speed Setting
	Dim Modes	Standard/Stage/TV/Architectural/Theatre/Stage2 Dim Speed 0.1S~10S	Dimming Curve Modes Dimming Speed
	LED Refresh Rate	900Hz/1000Hz/1100Hz/1200Hz/1300Hz/ 1400Hz/1500Hz	LED Refresh Setting
	Gamma	1.0/2.0/2.2/2.4/2.6/2.8	Gamma Brightness
	Reset Motors	Reset All Motors: YES / NO	Reset All Motors
		Pan/Tilt Reset: YES / NO	Reset the Pan & Tilt Motors
		Zoom Reset: YES / NO	Reset the Zoom Motor
	Display	Intensity: 1~10 (Dimmest-Brightest)	Display Intensity Adjustment
		Display Invert: YES / NO	Display Inversion
		Screen Saver Delay: OFF~10M	Display Shutoff Time
		Display Lock: ON / OFF	Display Control Lock
	Service (Pass Code = 50)	Effect Adjust: Pan/Tilt/Zoom (-128~127)	Calibration
		USB Port Power: ON / OFF	USB Port Activation
		Update Software: YES / NO	Software Update
		Factory Restore: YES / NO	Restore Factory Settings
Manual Control	Pan	000~255	Manual Control Settings
	Pan Fine	000~255	
	Tilt	000~255	
	Tilt Fine	000~255	
	Shutter	000~255	
	Dimmer	000~255	
	Zoom	000~255	
	Special Functions	000~255	

NOTE: Shaded options represent the default settings.

MENU	SUBMENU	OPTIONS	DESCRIPTION
Information	Fixture Life Time	Power On Time - XXXXXX Hours	Total Running Time (Not Resettable)
		P-On Time-R - XXXXXX Hours	Total Running Time (Resettable)
		P-On Time Reset - YES/NO Pass Code = 50	Reset Total Running Time
	Total LED Time	LED On Time - XXXXXX Hours	Total LED On Running Time (Not Resettable)
		LED On Time-R - XXXXXX Hours	LED On Running Time (Resettable)
		LED Time Reset - YES/NO Pass Code = 50	Reset LED Running Time
	Fixture Temps	Current - XXX°	Current Temperature
		Max Resettable - XXX°	Maximum Temperature* Reached (Resettable)
		Max Not Resettable - XXX°	Maximum Temperature** Reached (Not Resettable)
		Rst Temp History Pass Code = 50	Reset Temperature
	Fan Info. (RPM)	Base_Fan - XXX	Base Fan Speed
		LED_Fan - XXX	LED Fan Speed
	DMX Values	Pan	Current DMX Values
		Tilt	
		Zoom	
	Error Logs	Fixture Errors	List of Errors (One by One)
		Reset Error Log - Pass Code = 50	Clear the Error Log
	Max Temp LED ON	32~167°F, 113°F*** / 0~75°C, 45°C***	Fixture Temp. (LED On)
	High Temp LED OFF	169~194°F, 169°F*** / 76~90°C, 76°C***	Fixture Temp. (LED Off)
Software Version	X.XX	Current Software Version	

*Current Maximum Temperature - Maximum fixture temp. that has been recorded, before reset and after reset.

**Maximum Temperature - Overall maximum fixture temp. that has been recorded. (Not Resettable)

***Normal Operating Temperature

ACCESS THE MAIN MENU BY PRESSING THE MENU BUTTON FOR AT LEAST 5 SECONDS.

DMX Address - DMX Address Setting.

1. Access the main menu and press the UP or DOWN buttons so that “**DMX Settings**” is highlighted and press ENTER.
2. Press the UP or DOWN buttons until “**DMX Address**” is highlighted and press ENTER.
3. The current DMX address will now be displayed. Press the UP or DOWN buttons to find your desired DMX address and press ENTER to confirm your setting. Press the MENU button to exit without any changes.

DMX CH Mode - This will let you select your desired DMX channel mode.

1. Access the main menu and press the UP or DOWN buttons so that “**DMX Settings**” is highlighted and press ENTER.
2. Press the UP or DOWN buttons until “**DMX CH Mode**” is highlighted and press ENTER.
3. The current DMX channel mode will now be displayed. Press the UP or DOWN buttons to find your desired DMX channel mode and press ENTER to confirm your setting. Press the MENU button to exit without any changes.

No DMX Status - This mode is used as a precaution mode. In case the DMX signal is lost or interrupted, the operating mode chosen in this setup is the running mode the fixture will revert to when the DMX signal is lost.

1. Access the main menu and press the UP or DOWN buttons so that “**DMX Settings**” is highlighted and press ENTER.
2. Press either the MENU, UP, or DOWN buttons until “**No DMX Status**” is highlighted and press ENTER.
3. Press the UP or DOWN buttons to find the operating mode you would like the unit to automatically revert to if the DMX signal is lost or interrupted.
 - **Hold Last** - If the DMX signal is lost or interrupted, the unit will stay in the last DMX setting.
 - **Blackout** - If the DMX signal is lost or interrupted, the unit will automatically go into standby mode.
 - **Manual** - If the DMX signal is lost or interrupted, the unit will default to the settings made under the “Manual Control” function. See “Manual Control” on page 20 for more information.
4. Once you have found your desired setting press ENTER to confirm. Press the MENU button to exit.

Pan Invert - With this function, you can reverse the Pan movement.

1. Access the main menu and press the UP or DOWN buttons so that “**Personality**” is highlighted and press ENTER.
2. Press the UP or DOWN buttons until “**Pan Invert**” is highlighted and press ENTER.
3. Use the UP or DOWN buttons to switch between “**YES**” and “**NO**”. Selecting “**YES**” will activate pan inverse, “**NO**” will deactivate the function.
4. Press the ENTER button to confirm your setting or press the MENU button to exit.

Tilt Invert - With this function, you can reverse the Tilt movement.

1. Access the main menu and press the UP or DOWN buttons so that “**Personality**” is highlighted and press ENTER.
2. Press the UP or DOWN buttons until “**Tilt Invert**” is highlighted and press ENTER.
3. Use the UP or DOWN buttons to switch between “**YES**” and “**NO**”. Selecting “**YES**” will activate tilt inverse, “**NO**” will deactivate the function.
4. Press the ENTER button to confirm your setting or press the MENU button to exit.

P./T. Feedback - With this function, you have the pan and tilts position feedback while out of step or not feedback while out of step.

1. Access the main menu and press the UP or DOWN buttons so that “**Personality**” is highlighted and press ENTER.
2. Press the UP or DOWN buttons until “**P/T Feedback**” is highlighted and press ENTER.
3. Use the UP or DOWN buttons to switch between “**YES**” and “**NO**”. Selecting “**YES**” will activate feedback, “**NO**” will deactivate the function.
4. Press the ENTER button to confirm your setting or press the MENU button to exit.

P./T. Speed - With this function, you are able adjust the speed of the pan and tilt movement.

1. Access the main menu and press the UP or DOWN buttons so that “**Personality**” is highlighted and press ENTER.
2. Press the UP or DOWN buttons until “**P/T Speed**” is highlighted and press ENTER.
3. Use the UP or DOWN buttons to adjust pan/tilt movement speed.
4. Press the ENTER button to confirm your setting or press the MENU button to exit.

Hibernation - With this function the LEDs and step motors will power off if there is no DMX signal within 15 mins (factory default). Once it receives a DMX signal, the fixture will reset itself.

1. Access the main menu and press the UP or DOWN buttons so that “**Personality**” is highlighted and press ENTER.
2. Press the UP or DOWN buttons until “**Hibernation**” is highlighted then press ENTER.
3. The current stand by setting will be displayed, use the LEFT or RIGHT buttons to adjust the hibernation period between “**01M-99M**” or “**Off**”.
4. Press the ENTER button to confirm your setting or press the MENU button to exit.

Fan Settings - With this function, you can select your desired fan speed.

1. Access the main menu and press the UP or DOWN buttons so that “**Personality**” is highlighted then press ENTER.
2. Press the UP or DOWN buttons until “**Fan Speed**” is highlighted and press ENTER. .
3. Use the UP or DOWN buttons to scroll through the settings.
4. Press the ENTER button to confirm your setting or press the MENU button to exit.

Dim Modes - This will let select your desired dimmer mode. In this mode the dimmer speed can also be adjusted. The dimmer speed adjustment will affect all dimmer modes.

1. Access the main menu and press the UP or DOWN buttons so that “**Personality**” is highlighted then press ENTER.
2. 1 of 6 dimmer curves or dim speed will be displayed. “**Standard**”, “**Stage**”, “**TV**”, “**Architectural**”, “**Theatre**”, or “**Stage 2**”. See the dimmer mode chart on page 25 for more info.
3. Press the UP or DOWN buttons to find your desired dimmer curve.
4. Press the ENTER button to confirm your setting or press the MENU button to exit.

LED Refresh Rate - With this function you can adjust the dimming frequency.

1. Access the main menu and press the UP or DOWN buttons so that “**Personality**” is highlighted then press ENTER.
2. Use the UP or DOWN buttons to adjust the dimming frequency between 900hz, 1000hz, 1100hz, 1200hz, 1300hz, 1400hz, 1500hz, 6000hz, or 25000hz.
3. Press the ENTER button to confirm your setting or press the MENU button to exit.

Gamma - In this menu you are able to make gamma corrections.

1. Access the main menu and press the UP or DOWN buttons so that “**Personality**” is highlighted then press ENTER.
2. Use the UP or DOWN buttons to adjust the gamma brightness.
3. Once you have found your desired setting press ENTER to confirm.

Reset Motors - This will allow you to reset the pan/tilt motor, zoom motor, or all motors.

1. Access the main menu and press the UP or DOWN buttons so that “**Personality**” is highlighted then press ENTER.
2. Press the UP or DOWN buttons until “**Reset.Motor**” is highlighted, then press ENTER.
3. Press the UP or DOWN buttons to find the motors you would like to reset.
4. Press the ENTER button to reset or press the MENU button to exit.

Display - This submenu has four functions: (1). Adjust the display intensity (2). Invert the display (3). Activate and adjust the display screen blackout time (4). Activate and deactivate the display control panel lock.

1. Access the main menu and press the UP or DOWN buttons so that “**Personality**” is highlighted then press ENTER.
2. Use the UP or DOWN buttons to switch between “**Intensity**”, “**Display Invert**”, and “**Screen Saver Delay**”. Press the ENTER button to select the setting you would like to adjust.
3. Use the UP or DOWN buttons to toggle between “**ON**” and “**OFF**” for each function.
 - **Intensity** - Use the UP or DOWN buttons to adjust the display intensity between “**1**” being the dimmest and “**10**” being the brightest. Press the ENTER button to confirm your adjustment.
 - **Display Invert** - “**YES**” will invert the display, and “**NO**” will keep the display the same . Press the ENTER button to confirm your adjustment.
 - **Screen Saver Delay** - Use the UP or DOWN buttons to adjust the display intensity between “**1**” being the dimmest and “**10**” being the brightest. Press the ENTER button to confirm your adjustment.
 - **Display Lock** - “**ON**” will lock the display control after 30 seconds, and “**OFF**” will leave the display control unlocked. To unlock the display press the MENU button for at least 5 seconds.
4. Once you have found your desired settings press the ENTER button to confirm.

Service - This submenu has four functions: (1). Unit calibration (2). Activate the USB port power (3). Update the unit software (4). Reset the unit to default settings.

NOTE: ONLY QUALIFIED TECHNICIANS SHOULD PERFORM THE CALIBRATION FUNCTION.

1. Access the main menu and press the UP or DOWN buttons so that **“Personality”** is highlighted then press ENTER.
2. Use the UP or DOWN buttons to switch between **“Effect Adjust”**, **“USB Port Power”** **“Update Software”**, and **“Factory Restore”**. Press the ENTER button to select the function you would like to adjust.
 - **Effect Adjust** - This is the calibration adjustment function. The calibration for Pan, Tilt, and Zoom can be adjusted. **NOTE: ONLY QUALIFIED TECHNICIANS SHOULD PERFORM THE CALIBRATION FUNCTION.**
 - **USB Port Power** - This is the power activation for the USB port. This function needs to be activated to use the **UPDATE SOFTWARE** function.
 - **Update Software** - This function is used for any future software updates. Check www.adj.com and this units webpage for any software updates. Download the software update to a flash stick and plug the flash stick into the Flash Drive slot located on the front of the unit. **Contact ADJ customer service for help when updating software.**
 - **Factory Restore** - This function will allow you to return the unit to its factory settings. Use the UP or DOWN buttons to switch between **“YES”** or **“NO”**. Selecting **“YES”** and pressing ENTER will reset the unit to its factory settings.
3. Press the MENU button to exit.

Manual Control - This function will allow you to manually adjust the pan, tilt, shutter, dimmer, zoom, and special functions. **NOTE: The “No DMX Status” setting MUST be set to “Manual” for this operational mode to work. Please see “No DMX Status” on page 16 for more information.**

1. Access the main menu and press the UP or DOWN buttons so that **“Personality”** is highlighted then press ENTER.
2. Use the UP and DOWN buttons to switch between the available adjustable functions. Press the ENTER button to select the function you would like to adjust.
3. Use the UP and DOWN buttons to adjust the values of the selected function. Press the ENTER button after you have made your desired adjustments.
4. Repeat steps 2 & 3 to continue to make adjustments. Press the MENU button to exit.

Power On Time - With this function you are able to check the total power ON running time of the unit. This time can NOT be reset.

NOTE: *The displayed time represents the total power ON running time.*

1. Access the main menu and press the UP or DOWN buttons so that “**Information**” is highlighted then press ENTER.
2. Press the UP or DOWN buttons until “**Fixture Life Time**” is highlighted and press ENTER.
3. Press the UP or DOWN buttons until “**Power On Time**” is highlighted and press ENTER.
4. The total power ON running time of the fixture will now be displayed. Press the MENU button to exit.

P-On Time-R - With this function you are able to check current power ON running time of the unit. This running time may not be the same as the total power ON running time displayed under “**POWER ON TIME**”. This time CAN be reset.

NOTE: *The displayed time represents the current power ON running time since the last reset.*

1. Access the main menu and press the UP or DOWN buttons so that “**Information**” is highlighted then press ENTER.
2. Press the UP or DOWN buttons until “**Fixture Life Time**” is highlighted and press ENTER.
3. Press the UP or DOWN buttons until “**P-On Time-R**” is highlighted and press ENTER.
4. The power ON running time of the fixture will now be displayed. Press the MENU button to exit.

P-On Time Reset - With this function you can reset the current power ON running time that is displayed under “**P-ON TIME-R**”.

1. Access the main menu and press the UP or DOWN buttons so that “**Information**” is highlighted then press ENTER.
2. Press the UP or DOWN buttons until “**Fixture Life Time**” is highlighted and press ENTER.
3. Press the UP or DOWN buttons until “**P-On Time Reset**” is highlighted and press ENTER.
4. Use the UP or DOWN buttons to set the pass code to “**50**” and press ENTER. The **P-ON TIME-R** will now be reset to “0”

LED On Time - With this function you are able to check the total LED ON time. This total LED On time can NOT be reset.

NOTE: *The displayed time represents the total LED ON time.*

1. Access the main menu and press the UP or DOWN buttons so that “**Information**” is highlighted then press ENTER.
2. Press the UP or DOWN buttons until “**Fixture Life Time**” is highlighted and press ENTER.
3. Press the UP or DOWN buttons until “**LED On Time**” is highlighted and press ENTER.
4. The total power ON running time of the fixture will now be displayed. Press the MENU button to exit.

LED On Time-R - With this function you are able to check current LED ON running time of the unit. This running time may not be the same as the total LED ON time displayed under "LED ON TIME". This total LED ON time CAN be reset.

NOTE: *The displayed time represents the current LED ON time since the last reset.*

1. Access the main menu and press the UP or DOWN buttons so that "Information" is highlighted then press ENTER.
2. Press the UP or DOWN buttons until "Fixture Life Time" is highlighted and press ENTER.
3. Press the UP or DOWN buttons until "LED On Time-R" is highlighted and press ENTER.
4. The power ON running time of the fixture will now be displayed. Press the MENU button to exit.

LED Time Reset - With this function you can reset the current LED ON time that is displayed under "LED ON TIME-R".

1. Access the main menu and press the UP or DOWN buttons so that "Information" is highlighted then press ENTER.
2. Press the UP or DOWN buttons until "Fixture Life Time" is highlighted and press ENTER.
3. Press the UP or DOWN buttons until "LED Time Reset" is highlighted and press ENTER.
4. Use the UP or DOWN buttons to set the pass code to "50" and press ENTER. The LED ON TIME-R will now be reset to "0"

Current - With this function you can check the current temperature of the LED.

1. Access the main menu and press the UP or DOWN buttons so that "Information" is highlighted then press ENTER.
2. Press the UP or DOWN buttons until "Fixture Temps" is highlighted and press ENTER.
3. Press the UP or DOWN buttons until "Current" is highlighted and press ENTER.
4. The current temperature of the LED will now be displayed. Press the UP or DOWN buttons to switch between farenheit and celsius. Press the MENU button to exit.

Max Resettable - With this function you are able to check the current highest temperature the LED has reached. This LED temperature may not be the same as the temperature displayed under "CURRENT" or "MAX NOT RESETTABLE". This LED temperature CAN be reset.

NOTE: *The displayed temperature represents the highest temperature the LED has reached since the last reset.*

1. Access the main menu and press the UP or DOWN buttons so that "Information" is highlighted then press ENTER.
2. Press the UP or DOWN buttons until "Fixture Temps" is highlighted and press ENTER.
3. Press the UP or DOWN buttons until "Max Resettable" is highlighted and press ENTER.
4. The highest LED temperature will now be displayed. Press the UP or DOWN buttons to switch between farenheit and celsius. Press the MENU button to exit.

Max Not Resettable - With this function you are able to check the highest temperature the LED has reached. This LED temperature can NOT be reset, and could continue rise.

1. Access the main menu and press the UP or DOWN buttons so that “**Information**” is highlighted then press ENTER.
2. Press the UP or DOWN buttons until “**Fixture Temps**” is highlighted and press ENTER.
3. Press the UP or DOWN buttons until “**Max Not Resettable**” is highlighted and press ENTER.
4. The fixtures highest temperature will now be displayed. Press the UP or DOWN buttons to switch between fahrenheit and celsius. Press the MENU button to exit.

Reset LED Temps - With this function you can reset the MAX RESETTABLE LED temperature. *NOTE: When the temperature is reset, the temperature will revert to the CURRENT LED temperature.*

1. Access the main menu and press the UP or DOWN buttons so that “**Information**” is highlighted then press ENTER.
2. Press the UP or DOWN buttons until “**Fixture Temps**” is highlighted and press ENTER.
3. Press the UP or DOWN buttons until “**Reset LED Temps**” is highlighted and press ENTER.
4. Use the UP or DOWN buttons to set the pass code to “**50**” and press ENTER. The **MAX RESETTABLE LED** temperature will now reset to the **CURRENT LED** temperature.

Fan Info. (RPM) - With this function you can check the speed of the base fan and LED fan.

1. Access the main menu and press the UP or DOWN buttons so that “**Information**” is highlighted then press ENTER.
2. Press the UP or DOWN buttons until “**Fan Info.**” is highlighted and press ENTER.
3. Use the UP or DOWN buttons to switch between “**Base_fan**” and “**LED_fan**”. Press the ENTER button to select the fan speed you would like check.
4. The current speed of the select fan will now be displayed. Press the MENU button to exit.

DMX Values - With this function you can check the DMX values of each DMX channel that is currently in use.

1. Access the main menu and press the UP or DOWN buttons so that “**Information**” is highlighted then press ENTER.
2. Press the UP or DOWN buttons until “**DMX Values**” is highlighted and press ENTER.
3. Use the UP or DOWN buttons to find the DMX channel you would like check and press ENTER. The current DMX value of that channel will now be displayed. Press the MENU button to exit.

Error Logs - With this function you can check any errors that might be affecting the unit and reset the error logTurn .

1. Access the main menu and press the UP or DOWN buttons so that “**Information**” is highlighted then press ENTER.
2. Press the UP or DOWN buttons until “**Error Logs**” is highlighted and press ENTER.
3. Use the UP or DOWN buttons to switch between “**Fixture Errors**” and “**Reset Error Log**”. Press the ENTER button to make your selection.
 - **Fixture Errors** - This will give you a rundown of any errors that the fixture might have encountered.
 - **Reset Error Log** - This will allow you to reset the Error Log. The pass code is “**50**”.
4. Press the MENU button to exit the menu.

Max Temp LED ON - With this function you can check the current temperature of the fixture. **Note: This reflects the temperature of the fixture when the LED is On.**

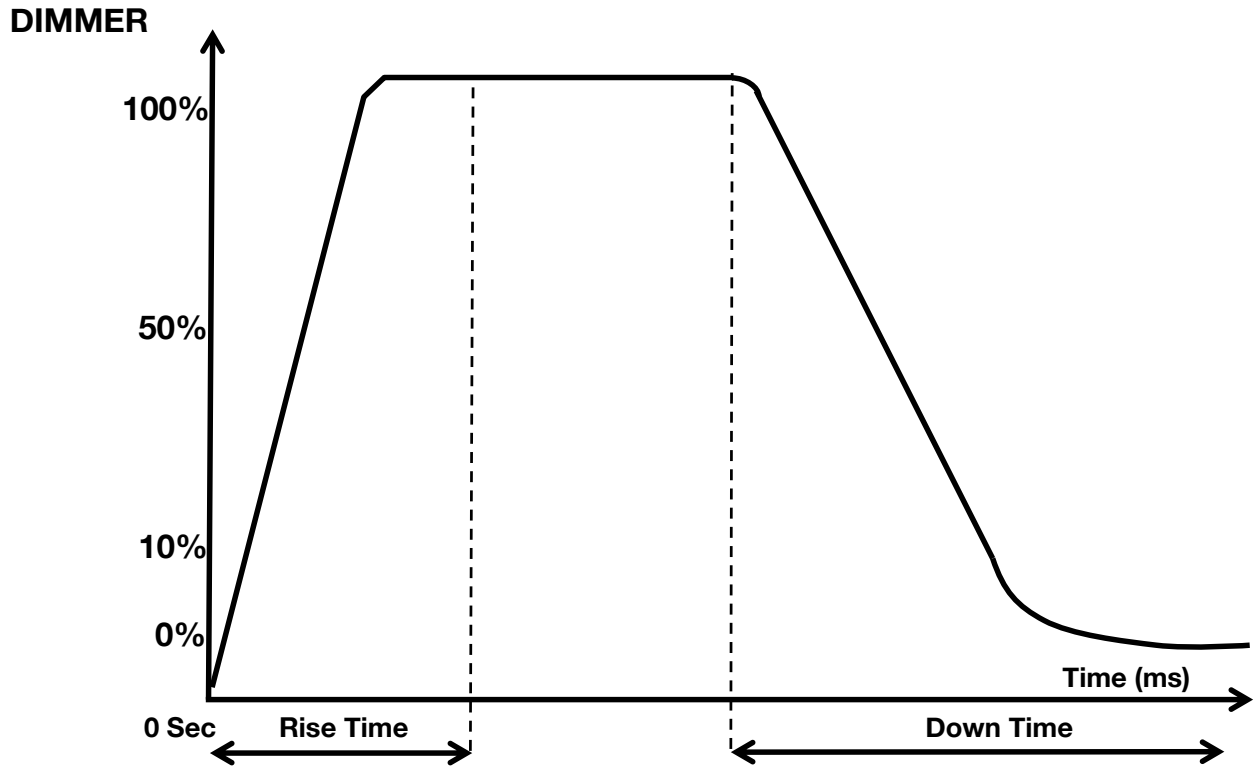
1. Access the main menu and press the UP or DOWN buttons so that “**Information**” is highlighted then press ENTER.
2. Press the UP or DOWN buttons until “**Max Temp LED ON**” is highlighted and press ENTER.
3. The fixtures current LED On temperature will now be displayed. Press the UP or DOWN buttons to switch between fahrenheit and celsius. Press the MENU button to exit.

Max Temp LED OFF - With this function you can check the current temperature of the fixture. **Note: This reflects the temperature of the fixture when the LED is Off.**

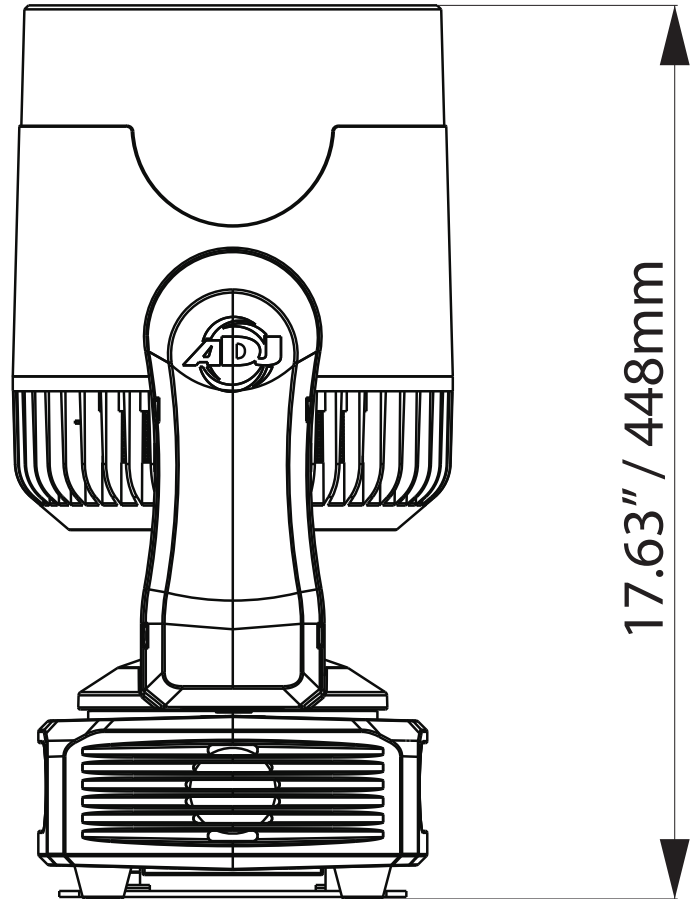
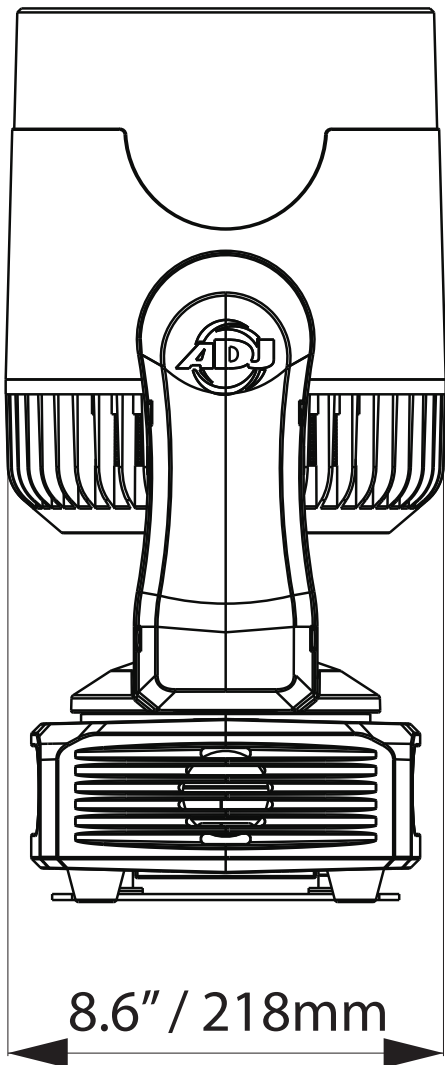
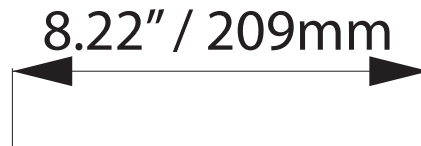
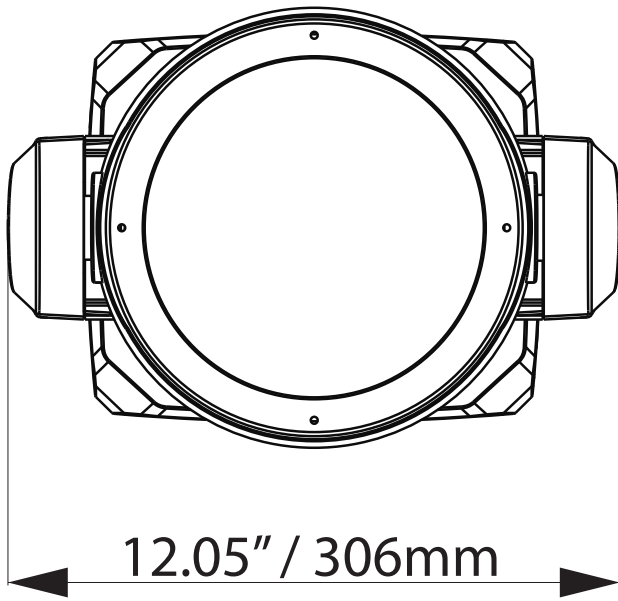
1. Access the main menu and press the UP or DOWN buttons so that “**Information**” is highlighted then press ENTER.
2. Press the UP or DOWN buttons until “**Max Temp LED OFF**” is highlighted and press ENTER.
3. The fixtures current LED Off temperature will now be displayed. Press the UP or DOWN buttons to switch between fahrenheit and celsius. Press the MENU button to exit.

Software Version - Use this function to display the Software version of the unit.

1. Access the main menu and press the UP or DOWN buttons so that “**Information**” is highlighted then press ENTER.
2. Press the UP or DOWN buttons until “**Software Version**” is highlighted and press ENTER.
3. The current software version will now be displayed.



Dimming Curve Ramp Effect	0 sec Fade Time		1 sec Fade Time	
	Rise Time (ms)	Down Time (ms)	Rise Time (ms)	Down Time (ms)
Standard (default)	0	0	0	0
Stage	780	1100	1540	1660
TV	1180	1520	1860	1940
Architectural	1380	1730	2040	2120
Theatre	1580	1940	2230	2280
Stage 2	0	1100	0	1660



With this feature you can connect the fixtures to one another using the power cable input and output sockets.

NOTE: USE CAUTION WHEN POWER LINKING OTHER FIXTURES AS THE POWER CONSUMPTION OF OTHER MODEL FIXTURES MAY EXCEED THE MAX POWER OUTPUT ON THIS FIXTURE! CHECK SILK SCREEN FOR MAX AMPS.

Listed below are a few common problems the user may encounter, with solutions.

Unit not responding to DMX:

1. Check that the DMX cables are connected properly and are wired correctly (pin 3 is “hot”; on some other DMX devices pin 2 may be ‘hot’). Also, check that all cables are connected to the right connectors; it does matter which way the inputs and outputs are connected.
2. Check the DMX address setting.
3. Try using another DMX controller.

One of the channels is not working:

1. The stepper motor might be damaged or the cable connected to the PCB is broken.

Due to fog residue, smoke, and dust cleaning the internal and external optical lenses must be carried out periodically to optimize light output.

1. Use normal glass cleaner and a soft cloth to wipe down the outside casing.
 2. Clean the external optics with glass cleaner and a soft cloth every 20 days.
 3. Always be sure to dry all parts completely before plugging the unit back in.
- Cleaning frequency depends on the environment in which the fixture operates (i.e. smoke, fog residue, dust, dew).

MANUFACTURER'S LIMITED WARRANTY

- A. ADJ Products, LLC hereby warrants, to the original purchaser, ADJ Products, LLC products to be free of manufacturing defects in material and workmanship for a prescribed period from the date of purchase (see specific warranty period on reverse). This warranty shall be valid only if the product is purchased within the United States of America, including possessions and territories. It is the owner's responsibility to establish the date and place of purchase by acceptable evidence, at the time service is sought.
- B. For warranty service you must obtain a Return Authorization number (RA#) before sending back the product—please contact ADJ Products, LLC Service Department at 800-322-6337. Send the product only to the ADJ Products, LLC factory. All shipping charges must be pre-paid. If the requested repairs or service (including parts replacement) are within the terms of this warranty, ADJ Products, LLC will pay return shipping charges only to a designated point within the United States. If the entire instrument is sent, it must be shipped in its original package. No accessories should be shipped with the product. If any accessories are shipped with the product, ADJ Products, LLC shall have no liability whatsoever for loss of or damage to any such accessories, nor for the safe return thereof.
- C. This warranty is void if the serial number has been altered or removed; if the product is modified in any manner which ADJ Products, LLC concludes, after inspection, affects the reliability of the product; if the product has been repaired or serviced by anyone other than the ADJ Products, LLC factory unless prior written authorization was issued to purchaser by ADJ Products, LLC; if the product is damaged because not properly maintained as set forth in the instruction manual.
- D. This is not a service contract, and this warranty does not include maintenance, cleaning or periodic check up. During the period specified above, ADJ Products, LLC will replace defective parts at its expense with new or refurbished parts, and will absorb all expenses for warranty service and repair labor by reason of defects in material or workmanship. The sole responsibility of ADJ Products, LLC under this warranty shall be limited to the repair of the product, or replacement thereof, including parts, at the sole discretion of ADJ Products, LLC. All products covered by this warranty were manufactured after August 15, 2012, and bear identifying marks to that effect.
- E. ADJ Products, LLC reserves the right to make changes in design and/or improvements upon its products without any obligation to include these changes in any products theretofore manufactured.

No warranty, whether expressed or implied, is given or made with respect to any accessory supplied with products described above. Except to the extent prohibited by applicable law, all implied warranties made by ADJ Products, LLC in connection with this product, including warranties of merchantability or fitness, are limited in duration to the warranty period set forth above. And no warranties, whether expressed or implied, including warranties of merchantability or fitness, shall apply to this product after said period has expired. The consumer's and/or Dealer's sole remedy shall be such repair or replacement as is expressly provided above; and under no circumstances shall ADJ Products, LLC be liable for any loss or damage, direct or consequential, arising out of the use of, or inability to use, this product.

This warranty is the only written warranty applicable to ADJ Products, LLC Products and supersedes all prior warranties and written descriptions of warranty terms and conditions heretofore published.

MANUFACTURER'S LIMITED WARRANTY PERIODS:

- **Non L.E.D. Lighting Products = 1-year (365 days) Limited Warranty** (Such as: Special Effect Lighting, Intelligent Lighting, UV lighting, Strobes, Fog Machines, Bubble Machines, Mirror Balls, Par Cans, Trussing, Lighting Stands etc. excluding LED and lamps)
- **Laser Products = 1 Year (365 Days) Limited Warranty** (excluding laser diodes which have a 6 month limited warranty)
- **L.E.D. Products = 2-year (730 days) Limited Warranty** (excluding batteries which have a 180 day limited warranty). **Note: 2 Year Warranty only applies to purchases within the United States.**
- **StarTec Series = 1 Year Limited Warranty** (excluding batteries which have a 180 day limited warranty).
- **ADJ DMX Controllers = 2 Year (730 Days) Limited Warranty**

Model: Par Z Move

Voltage:	100V ~ 240V/50~60Hz
LEDs:	1 x 200W Warm White COB LED
Working Position:	Any safe working position
Power Draw:	250W
Dimensions:	12.05" (L) x 8.6" (W) x 17.63" (H) 306 x 218 x 448mm
Weight:	25lbs. / 11.3 kgs
DMX Channels:	3 DMX Modes: 7/9/11
Control:	RDM (Remote Device Management)
Warranty:	2 Year (730 days)

Please Note: Specifications and improvements in the design of this unit and this manual are subject to change without any prior written notice.