



# ENTOUR HAZE PRO



**Caution: Haze Machines may set off Smoke Alarms!**

## User Instructions

©2017 ADJ Products, LLC all rights reserved. Information, specifications, diagrams, images, and instructions herein are subject to change without notice. ADJ Products, LLC logo and identifying product names and numbers herein are trademarks of ADJ Products, LLC. Copyright protection claimed includes all forms and matters of copyrightable materials and information now allowed by statutory or judicial law or hereinafter granted. Product names used in this document may be trademarks or registered trademarks of their respective companies and are hereby acknowledged. All non-ADJ Products, LLC brands and product names are trademarks or registered trademarks of their respective companies.

ADJ Products, LLC and all affiliated companies hereby disclaim any and all liabilities for property, equipment, building, and electrical damages, injuries to any persons, and direct or indirect economic loss associated with the use or reliance of any information contained within this document, and/or as a result of the improper, unsafe, insufficient and negligent assembly, installation, rigging, and operation of this product.

### DOCUMENT VERSION

Please check [www.adj.com](http://www.adj.com) for the latest revision/update of this guide.

Date	Document Version	Software Version ≥	DMX Channel Modes	Notes
10/24/17	1	1.01	1/2/4	Initial Release

### Europe Energy Saving Notice

Energy Saving Matters (EuP 2009/125/EC)

Saving electric energy is a key to help protecting the environment. Please turn off all electrical products when they are not in use. To avoid power consumption in idle mode, disconnect all electrical equipment from power when not in use. Thank you!

**Introduction:** Congratulations, you have just purchased one of the most reliable haze machines on the market today! The Entour Haze Pro haze machine have been designed to perform reliably for years when the guidelines in this booklet are followed. Please read and understand the instructions in this manual carefully and thoroughly before attempting to operate this unit. These instructions contain important information regarding safety during use and maintenance.

**Customer Support:** ADJ Products, LLC provides a toll free customer support line, to provide set up help and to answer any question should you encounter problems during your set up or initial operation. You may also visit us on the web at [www.adj.com](http://www.adj.com) for any comments or suggestions. For service related issue please contact ADJ Products, LLC. Service Hours are Monday through Friday 8:00 a.m. to 4:30 p.m. Pacific Standard Time.

Voice: (800) 322-6337

Fax: (323) 582-2941

E-mail: [support@americandj.com](mailto:support@americandj.com)

To purchase parts online visit <http://parts.americandj.com>

**Warning!** To prevent or reduce the risk of electrical shock or fire, do not expose this unit to rain or moisture.

**Caution!** There are no user serviceable parts inside this unit. Do not attempt any repairs yourself, doing so will void your manufactures warranty. In the unlikely event your unit may require service please contact ADJ Products, LLC.

Do not discard the shipping cartoon in the trash. Please recycle when ever possible.

### SAFETY ISSUES:

**NEVER POINT OR AIM A HAZE MACHINE TOWARDS PEOPLE OR THEIR CLOTHING. THIS UNIT EMITS HOT VAPOR AND SHOULD BE USED WITH THE SAME CARE THAT YOU WOULD OBSERVE WHEN USING AN ELECTRIC KETTLE OR IRON.**

**Please Note:** Specifications and improvements in the design of this unit and this manual are subject to change without any prior written notice.

- Be sure to save the packing carton in the unlikely event the unit may have to be returned for service
- Do not spill water or other liquids into or on to your hazer. Be sure that all the haze fluid is kept inside the fluid reservoir
- Be sure that the local power outlet match that or the required voltage for your haze machine
- Do not remove the top cover under any conditions. There are no user serviceable parts inside
- Disconnect the unit's main power when left unused for long periods of time
- Never connect this unit to a dimmer pack
- Do not attempt to operate this unit, if it becomes damaged in anyway
- Never operate this unit when it's cover is removed
- To reduce the risk of electrical shock or fire, do not expose this unit rain or moisture
- Do not attempt to operate this unit if the power cord has been frayed or broken. Do not attempt to remove or break off the ground prong from the electrical cord. This prong is used to reduce the risk of electrical shock and fire in case of an internal short
- Disconnect from main power before making any type of connection
- Never block the ventilation holes. Always be sure to mount this unit in an area that will allow proper ventilation. Allow about 6" (15cm) between this device and a wall
- This unit is intended for indoor use only, use of this product outdoors voids all warranties
- Always mount this unit in a safe and stable matter
- Please route your power cord out of the way of foot traffic. Power cords should be routed so they are not likely to be walked on, pinched by items placed upon or against them
- The unit should only be serviced by qualified service personnel when:
  - A. The power-supply cord or the plug has been damaged.
  - B. Objects have fallen, or liquid has been spilled into the unit.
  - C. The unit has been exposed to rain or water.
  - D. The appliance does not appear to operate normally or exhibits a marked change in performance.

**Power Supply:** Before plugging your unit in, be sure the source voltage in your area matches the required voltage for your ADJ Entour Haze Pro. The ADJ Entour Haze Pro is available in a 120v and 230v version. Because line voltage may vary from venue to venue, you should be sure your unit voltage matches the wall outlet voltage before attempting to operate you fixture.

**DMX-512:** DMX is short for Digital Multiplex. This is a universal protocol used as a form of communication between intelligent fixtures and controllers. A DMX controller sends DMX data instructions from the controller to the fixture. DMX data is sent as serial data that travels from fixture to fixture via the DATA “IN” and DATA “OUT” XLR terminals located on all DMX fixtures (most controllers only have a DATA “OUT” terminal).

**DMX Linking:** DMX is a language allowing all makes and models of different manufactures to be linked together and operate from a single controller, as long as all fixtures and the controller are DMX compliant. To ensure proper DMX data transmission, when using several DMX fixtures try to use the shortest cable path possible. The order in which fixtures are connected in a DMX line does not influence the DMX addressing. For example; a fixture assigned a DMX address of 1 may be placed anywhere in a DMX line, at the beginning, at the end, or anywhere in the middle. When a fixture is assigned a DMX address of 1, the DMX controller knows to send DATA assigned to address 1 to that unit, no matter where it is located in the DMX chain.

**Data Cable (DMX Cable) Requirements (For DMX Operation):**

The Entour Haze Pro can be controlled via DMX-512 protocol. The Entour Haze Pro has 3 DMX channel modes, 1 channel, 2 channel, and 4 channel. The DMX address is set on the back panel. Your unit and your DMX controller require a standard 3-pin XLR connector for data input and data output (Figure 1). We recommend Accu-Cable DMX cables. If you are making your own cables, be sure to use standard 110-120 Ohm shielded cable (This cable may be purchased at almost all pro lighting stores). Your cables should be made with a male and female XLR connector on either end of the cable. Also remember that DMX cable must be daisy chained and cannot be split.



Figure 1

**Notice:** Be sure to follow figures two and three when making your own cables. Do not use the ground lug on the XLR connector. Do not connect the cable’s shield conductor to the ground lug or allow the shield conductor to come in contact with the XLR’s outer casing. Grounding the shield could cause a short circuit and erratic behavior.

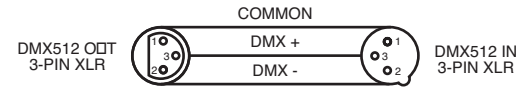


Figure 2

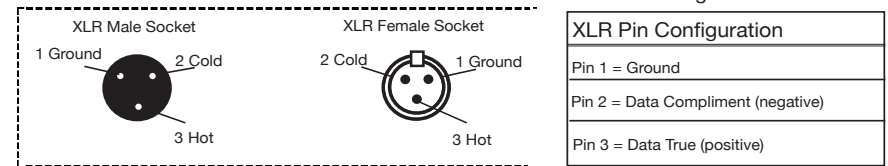


Figure 3

**Special Note: Line Termination.** When longer runs of cable are used, you may need to use a terminator on the last unit to avoid erratic behavior. A terminator is a 110-120 ohm 1/4 watt resistor which is connected between pins 2 and 3 of a male XLR connector (DATA + and DATA -). This unit is inserted in the female XLR connector of the last unit in your daisy chain to terminate the line. Using a cable terminator (ADJ part number Z-DMX/T) will decrease the possibilities of erratic behavior.



Termination reduces signal errors and avoids signal transmission problems and interference. It is always advisable to connect a DMX terminal. (Resistance 120 Ohm 1/4 W) between PIN 2 (DMX-) and PIN 3 (DMX +) of the last fixture.

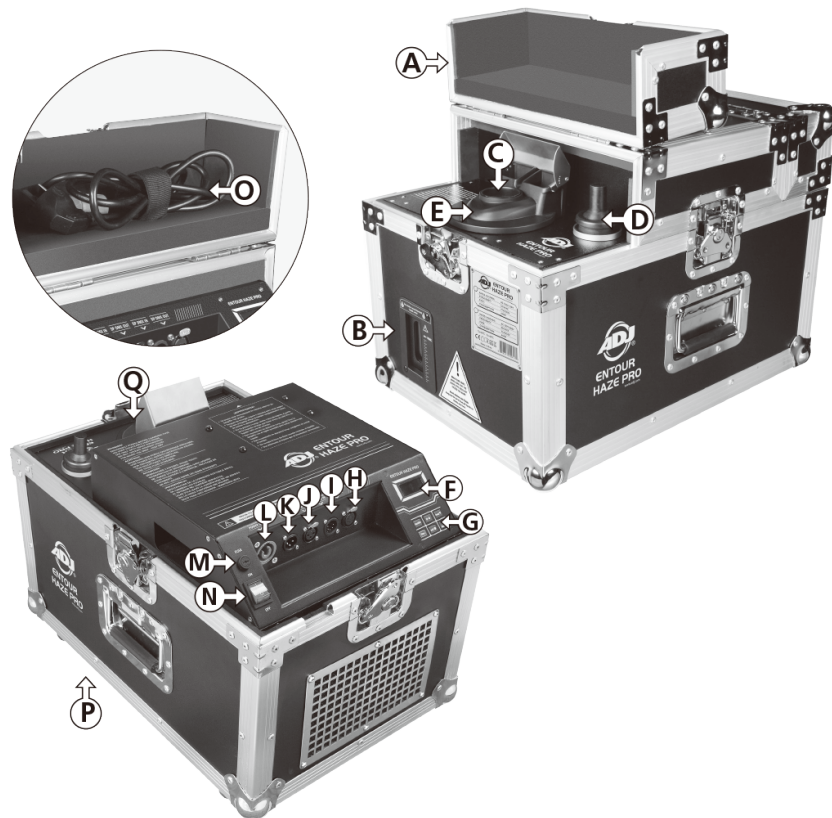
Figure 4

**5-Pin XLR DMX Connectors.** Some manufactures use 5-pin DMX-512 data cables for DATA transmission in place of 3-pin. 5-pin DMX fixtures may be implemented in a 3-pin DMX line. When inserting standard 5-pin data cables in to a 3-pin line a cable adaptor must be used, these adaptors are readily available at most electric stores. The chart below details a proper cable conversion.

3-Pin XLR to 5-Pin XLR Conversion		
Conductor	3-Pin XLR Female (Out)	5-Pin XLR Male (In)
Ground/Shield	Pin 1	Pin 1
Data Compliment (- signal)	Pin 2	Pin 2
Data True (+ signal)	Pin 3	Pin 3
Not Used		Do Not Use
Not Used		Do Not Use

## Entour Haze Pro

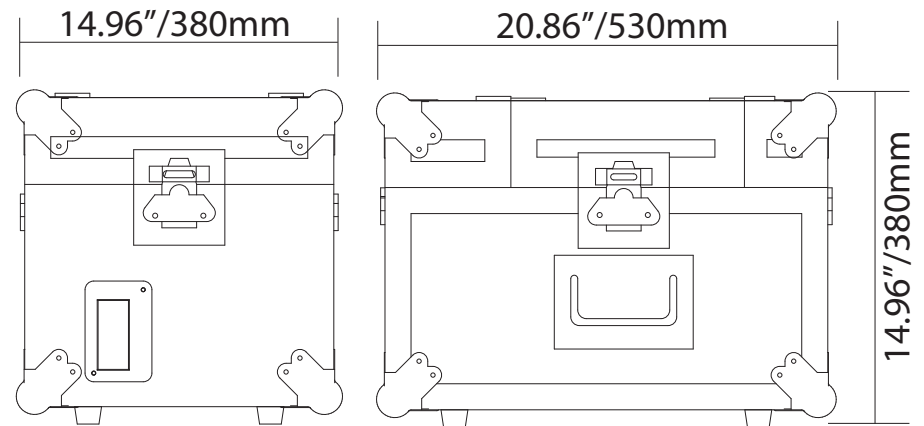
## Layout



- |  |                         |
|--|-------------------------|
| A. Flight case                               | I. DMX 5 pin XLR input  |
| B. Visible liquid level window with blue LED | J. DMX 3 pin XLR output |
| C. Smoke outlet (Liquid inlet)               | K. DMX 3 pin XLR input  |
| D. Stopper                                   | L. Power input          |
| E. Direction turntable with magnet           | M. Fuse Holder          |
| F. LCD display                               | N. Power Switch         |
| G. 6 Function Buttons                        | O. Wire storage belt    |
| H. DMX 5 pin XLR output                      | P. Drain valve          |
|  | Q. Sponge               |

## Entour Haze Pro

## Dimensional Drawing



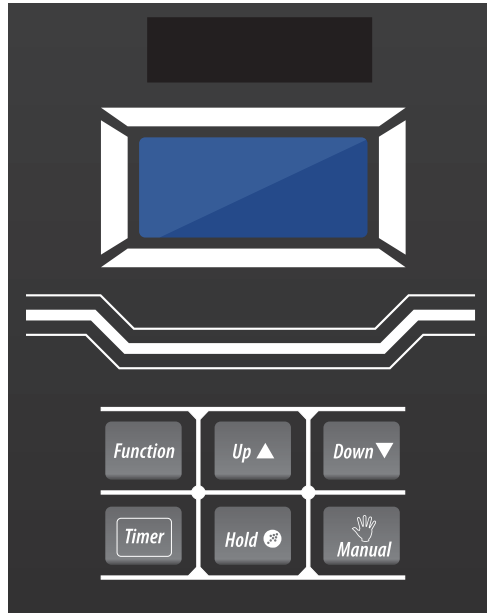
## Entour Haze Pro

## General Set-Up

1. Open the shipping carton and carefully remove the unit from the shipping carton.
2. Be sure to remove all the packing material especially around the nozzle.
3. Set the haze machine on a flat dry surface and fill the fluid reservoir through the haze outlet which also is the liquid inlet. Use American DJ brand HAZE/G juice. DO NOT OVERFILL. Make sure the liquid level does not exceed the maximum fluid level mark on the front of the haze.
4. Plug the unit in to a matching power supply.
5. Follow the operating instructions on the next pages for proper operation.

**NOTE:** When refilling, please wait 5 min. enabling all haze liquid to fill the tank entirely prior to switching on.'

**NOTE:** When making short-range movement, please apply the supplied stopper to prevent oil spill.



**FUNCTION BUTTON** - Press this button to cycle between DMX addressing, fan adjustment, duration adjustment, and interval adjustment. Use the UP and DOWN buttons to make your desired adjustments.

**UP BUTTON** - Use this button to make adjustments to DMX addressing, DMX channel mode, duration setting, and interval setting.

**DOWN BUTTON** - Use this button to make adjustments to DMX addressing, DMX channel mode, duration setting, and interval setting.

**TIMER ON/OFF BUTTON** - Press this button to activate/deactivate the timer function.

**HOLD BUTTON** - Press this button for continuous haze output.

**MANUAL BUTTON** - Press and hold this button manual haze output. Release the button to stop haze output. This function will override any state of operation that is currently running.

### START UP:

1. Connect the provided locking power cable to the haze machine input. Then plug the power cord into a matching power source. There is no ON/OFF switch.

2. 

Version: 1.0	Primary power is now "On".
-----------------	----------------------------

3. 

DMX set Addr - 1	2 Seconds after power is applied the display will show the following screen.
---------------------	--

**NOTE:** There is no warm up time. The unit can operate right away.

## TIMER OPERATION:

- DUR. xxx  
INT. xxx

Press the TIMER button to enter the haze timer operation.
- Press the FUNCTION button to enter the timer settings menu.
- > Dura xxx  
Intv xxx

Use the UP or DOWN buttons to adjust duration (output) time, 3s-250s.
- Press the FUNCTION button to switch to interval adjustment.
- Dura xxx  
--> Intv xxx

Use the UP or DOWN buttons to adjust interval (pause) time, 5s-250s.
- DUR. xxx  
INT. xxx

Press the TIMER button again to activate the timer function. Press the TIMER button again to deactivate the timer function.
- DMX set  
Addr- xxx

When the timer has been stopped, the DMX display will show.

**NOTE:** When using timer operation, you are able to press the “MANUAL” button to switch to continuous hazing.

When using the timer operation, you can press “MANUAL” to switch to manual hazing directly. Manual hazing can be started under any operation.

## CONTINUOUS HAZING:

- Haze On  
Fan xxx

Press the HOLD button to start continuous hazing. **NOTE:** Hazing will start right away.
- Haze On  
Fan xxx

Use the UP or DOWN buttons to adjust Fan speed, 5%-100%.
- Press the HOLD button again to stop continuous hazing.
- DMX set  
Addr - xxx

When continuous hazing is the stopped, the display will revert back to the DMX display.

**NOTE:** When using continuous hazing, you are able to press the “TIMER” button to switch to timed hazing directly.

## MANUAL HAZING:

- Manual  
Haze F100

Press the MANUAL button (without releasing). The machine will output at maximum level and maximum fan speed. Release the button to stop hazing.
- DMX set  
Addr- xxx

When manual hazing is stopped, the display will revert back to the DMX display.

## Entour Haze Pro

## DMX Mode

### DMX Mode:

The Entour Haze Pro has 3 DMX channel modes; 1 channel mode, 2 channel mode, and 4 channel mode. See page 13 for the DMX traits.

1. This function will allow you to control each individual fixture's traits with a standard DMX 512 controller.
2. When the display is showing the DMX setting screen, use the UP or DOWN buttons to find your desired DMX address.

DMX set  
 Addr- xxx

3. To run your fixture in DMX mode you must **FIRST** plug in the fixture via the XLR connections to any standard DMX controller.
4. Once you have the controller connected to the unit you will be able to select your desired DMX channel mode. Press the FUNCTION button to cycle through the DMX channel modes.

1ch.Axxx  
 VxxxFxxx

2ch.Axxx  
 VxxxFxxx

4ch.Axxx  
 VxxxFxxx

5. When 4 channel mode is selected, after about 5 seconds the screen will change to the display shown below.

VxxxFxxx  
 DxxxIxxx

- A = The current DMX address
- V = The current output volume
- F = The current fan speed
- D = The current duration setting
- I = The current interval setting

**NOTE:** Duration and Interval control is only available in 4 Channel mode.

## Entour Haze Pro

## 1 Channel Mode

Channel	Value	Function
1	0 - 4	OUTPUT VOLUME & FAN SPEED NO OUTPUT VOLUME 5% FAN SPEED
	5 - 255	100% OUTPUT VOLUME 100% FAN SPEED

## Entour Haze Pro

## 2 Channel Mode

Channel	Value	Function
1	0 - 4	OUTPUT VOLUME NO OUTPUT VOLUME
	5 - 255	100% OUTPUT VOLUME
2	0 - 15	FAN SPEED 5% FAN SPEED
	16 - 255	6%-100% FAN SPEED

Note: In 2 channel mode, when using channel 1 only, the default fan speed is 30%.

## Entour Haze Pro

## 4 Channel Mode

Channel	Value	Function
1	0 - 4	OUTPUT VOLUME NO OUTPUT VOLUME
	5 - 255	100% OUTPUT VOLUME
2	0 - 15	FAN SPEED 5% FAN SPEED
	16 - 255	6%-100% FAN SPEED
3	0 - 7	DURATION 3 SECONDS
	8 - 255	3-250 SECONDS
4	0 - 9	INTERVAL 0 SECONDS
	10 - 255	5-250 SECONDS

Note: In 4 channel mode, when using channel 1 only, the default fan speed is 30%.

## Entour Haze Pro

## Maintenance

Before doing maintenance, please make sure that the power is off, and the power cord is unplugged.

The maintenance should be done by a qualified person.

1. Avoid heavy output.
2. Do not let the fluid get dirty.
3. Prolonged use, flight case side air filter can accumulate dust, periodically remove the flight case side cover and remove the air filter to do the cleaning, after cleaning, be sure to dry the air filter after replacing the flight case again.
4. Clean the directional fan blower regularly.
5. Prolonged use, sponge under the turntable of smoke outlet may accumulate oil, periodically cleaned out or replaced with a new sponge.
6. Never operate the unit upside down. Do not store the unit upside down.
7. Never mix oil based haze fluid and water based fog fluid.

## Entour Haze Pro

## Trouble Shooting

Power Connected but no haze is emitted:

1. Check the power supply. Plug the unit into grounded power supply socket with proper voltage.
2. Disconnect haze machine from power supply. Replace fuse with one of the same type.
3. Make sure there is sufficient fluid in the tank
4. Make sure the atomization head is not blocked or damaged.
5. Make sure your controller is connected correctly.
6. Check your DMX address setting.

## Entour Haze Pro

## Fuse Replacement

Unplug the unit from any power source it may be connected to. Once the power has been disconnected, use a flat head screw driver to unscrew the fuse holder located above the power switch. Remove the bad fuse and replace with a new one, and screw the fuse holder back in.

## Entour Haze Pro

## Warranty Registration

The Entour Haze Pro carries a one year (365 days) limited warranty. Please fill out the enclosed warranty card to validate your purchase. All returned service items whether under warranty or not, must be freight pre-paid and accompany a return authorization (R.A.) number. The R.A. number must be clearly written on the outside of the return package. A brief description of the problem as well as the R.A. number must also be written down on a piece of paper and included in the shipping container. If the unit is under warranty, you must provide a copy of your proof of purchase invoice. You may obtain a R.A. number by contacting customer support at (800) 322-6337.

## Entour Haze Pro

## Storage

When storing your machine be sure to store it in a cool area. Cover the machine so that dust does not build up on the unit. Only run oil based Haze juice through your machine. Never run plain water, vinegar, or any other liquid solution through your machine. Running anything other than oil based Haze juice will severely damage your machine.



## MANUFACTURER'S LIMITED WARRANTY

- A. ADJ Products, LLC hereby warrants, to the original purchaser, ADJ Products, LLC products to be free of manufacturing defects in material and workmanship for a prescribed period from the date of purchase (see specific warranty period on reverse). This warranty shall be valid only if the product is purchased within the United States of America, including possessions and territories. It is the owner's responsibility to establish the date and place of purchase by acceptable evidence, at the time service is sought.
- B. For warranty service you must obtain a Return Authorization number (RA#) before sending back the product—please contact ADJ Products, LLC Service Department at 800-322-6337. Send the product only to the ADJ Products, LLC factory. All shipping charges must be pre-paid. If the requested repairs or service (including parts replacement) are within the terms of this warranty, ADJ Products, LLC will pay return shipping charges only to a designated point within the United States. If the entire instrument is sent, it must be shipped in its original package. No accessories should be shipped with the product. If any accessories are shipped with the product, ADJ Products, LLC shall have no liability whatsoever for loss of or damage to any such accessories, nor for the safe return thereof.
- C. This warranty is void if the serial number has been altered or removed; if the product is modified in any manner which ADJ Products, LLC concludes, after inspection, affects the reliability of the product; if the product has been repaired or serviced by anyone other than the ADJ Products, LLC factory unless prior written authorization was issued to purchaser by ADJ Products, LLC; if the product is damaged because not properly maintained as set forth in the instruction manual.
- D. This is not a service contract, and this warranty does not include maintenance, cleaning or periodic check up. During the period specified above, ADJ Products, LLC will replace defective parts at its expense with new or refurbished parts, and will absorb all expenses for warranty service and repair labor by reason of defects in material or workmanship. The sole responsibility of ADJ Products, LLC under this warranty shall be limited to the repair of the product, or replacement thereof, including parts, at the sole discretion of ADJ Products, LLC. All products covered by this warranty were manufactured after August 15, 2012, and bear indentifying marks to that effect.
- E. ADJ Products, LLC reserves the right to make changes in design and/or improvements upon its products without any obligation to include these changes in any products theretofore manufactured.

No warranty, whether expressed or implied, is given or made with respect to any accessory supplied with products described above. Except to the extent prohibited by applicable law, all implied warranties made by ADJ Products, LLC in connection with this product, including warranties of merchantability or fitness, are limited in duration to the warranty period set forth above. And no warranties, whether expressed or implied, including warranties of merchantability or fitness, shall apply to this product after said period has expired. The consumer's and/or Dealer's sole remedy shall be such repair or replacement as is expressly provided above; and under no circumstances shall ADJ Products, LLC be liable for any loss or damage, direct or consequential, arising out of the use of, or inability to use, this product.

This warranty is the only written warranty applicable to ADJ Products, LLC Products and supersedes all prior warranties and written descriptions of warranty terms and conditions heretofore published.

## MANUFACTURER'S LIMITED WARRANTY PERIODS:

- **Non L.E.D. Lighting Products = 1-year (365 days) Limited Warranty** (Such as: Special Effect Lighting, Intelligent Lighting, UV lighting, Strobes, Fog Machines, Bubble Machines, Mirror Balls, Par Cans, Trussing, Lighting Stands etc. excluding LED and lamps)
- **Laser Products = 1 Year (365 Days) Limited Warranty** (excluding laser diodes which have a 6 month limited warranty)
- **L.E.D. Products = 2-year (730 days) Limited Warranty** (excluding batteries which have a 180 day limited warranty). **Note: 2 Year Warranty only applies to purchases within the United States.**
- **StarTec Series = 1 Year Limited Warranty** (excluding batteries which have a 180 day limited warranty).
- **ADJ DMX Controllers = 2 Year (730 Days) Limited Warranty**

**Entour Haze Pro****Specifications****MODEL - Entour Haze Pro**

<b>VOLTAGE*:</b>	120V/60Hz or 230V/50Hz
<b>POWER CONSUMPTION:</b>	420W (Min.) 660W (Max.)
<b>WEIGHT:</b>	68 Lbs. / 31 Kgs
<b>DIMENSIONS:</b>	14.96" x 20.86" x 14.96" 380 x 530 x 380mm
<b>FUSE:</b>	10A (120V) 5A (230V, 240V)
<b>TANK CAPACITY:</b>	2.5 Liter
<b>OUTPUT:</b>	3,000 cubic feet per minute (With Fan and Volume Full On)
<b>FLUID CONSUMPTION:</b>	50 (ml/h)
<b>FLUID TYPE:</b>	Oil Based American DJ Haze Juice
<b>DMX CHANNELS:</b>	3 DMX Channel Modes: 1/2/4
<b>DUTY CYCLE:</b>	Not to exceed 6 hours turned on.

*\*Voltage is preset at the factory and may not be changed*

ADJ Products, LLC  
6122 S. Eastern Ave. Los Angeles, CA 90040 USA  
Tel: 323-582-2650 / Fax: 323-725-6100  
Web: [www.adj.com](http://www.adj.com) / E-mail: [info@americandj.com](mailto:info@americandj.com)

A.D.J. Supply Europe B.V.  
Junostraat 2  
6468 EW Kerkrade  
Netherlands

Follow Us On:



[facebook.com/americandj](https://facebook.com/americandj)  
[twitter.com/americandj](https://twitter.com/americandj)  
[youtube.com/adjlighting](https://youtube.com/adjlighting)

[support@adjgroup.eu](mailto:support@adjgroup.eu) / [www.adj.eu](http://www.adj.eu)  
Tel: +31 45 546 85 00 / Fax: +31 45 546 85 99