

**i**CON



# U<sub>24</sub>

USB large diaphragm condenser  
recording microphone

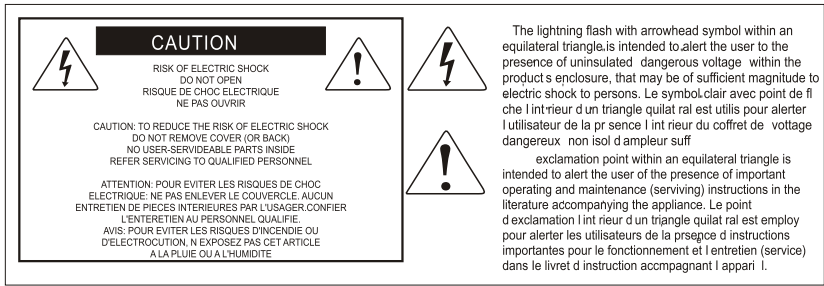
User manual



CE FC



N1630



## ***Important Safety Instructions***

1. Read this manual thoroughly before using this unit.
2. Keep this manual for future reference.
3. Take notice of and comply with all warnings included in the user's manual or indicated on the appliance.
4. Follow all instructions included in this manual.
5. Do not expose this unit to rain or moisture. Avoid having water or other liquids spilled on this unit.
6. When cleaning the cabinet or other parts of this appliance, use only a dry or slightly damp soft cloth.
7. Do not block any ventilation openings or interfere with the proper ventilation of this unit. Install in accordance with the manufacturer's instructions.
8. Do not use or store near any heat sources such as radiators, heat registers, stoves, or other heat producing appliances.
9. Do not interfere with the safety purpose of the polarized or grounding-type plug. A polarized plug has two blades with one wider than the other. A grounding-type plug has two blades and a third grounding prong. These are designated for your safety. If the provided plug does not fit into your outlet, consult an electrician.
10. Protect the power cord from being walked on or otherwise damaged by items placed on or against them. Particular attention should be given to the plugs, receptacles, and the point where the cord exits the appliance.
11. To avoid the risk of electrical shock, do not touch any exposed wiring while the unit is in operation.
12. Only use attachments/accessories specified by the manufacturer.
13. Unplug this unit and all connected electrical equipment during lightning storms or when left unused a long period of time.
14. Refer all servicing to qualified service personnel. Servicing is required when the appliance has been damaged in any way or fails to operate normally.

**WARNING: To reduce the risk of fire or electric shock, do not expose this unit to rain or moisture**

# Contents

Introduction.....	4
What's in the package? .....	4
Register your ICON ProAudio product to your personal account .....	5
Features .....	6
Operating the U24 .....	7
Specifications .....	10
Services.....	11

# ***Introduction***

Thank you for purchasing the ICON ProAudio U24 USB large-diaphragm condenser recording microphone. We sincerely trust this product will provide years of satisfactory service, but if anything is not to your complete satisfaction, we will endeavor to make things right.

In these pages, you'll find a detailed description of the features of the U24, step-by-step instructions for its setup and use, and full specifications.

Please register the product on our website at the below link **[www.iconproaudio.com/registration](http://www.iconproaudio.com/registration)**:

Please follow the step by step procedures starting from input the device's serial number to your personal information etc. By registering your product online, you will entitle to several different services and after-sales supporting at our ACS help center by visiting our website at [www.iconproaudio.com](http://www.iconproaudio.com). Also, all the registered products under your account will be listed on your personal product page where you could get update information such as firmware/driver upgrade, software bundle and user manual download etc for your device.

With proper care, your U24 will operate without any trouble for many years.

## ***What's in the package?***

- U24 USB large-diaphragm condenser recording microphone
- Quick Start Guide
- USB cable
- 1.4m stereo cable for line input (3.5mm stereo jack to two 6.35mm mono jacks)
- 2.8m mono cable for guitar/Inst input (3.5mm stereo jack to 6.35mm mono jack)
- 2.8m stereo extension cable for headphone output

# ***Register your ICON ProAudio product to your personal account***

## **1. Check serial number of your device**

Please go to [http:// iconproaudio.com/registration](http://iconproaudio.com/registration) or scan the QR code below.



Input your device's serial number and the other information on the screen. Click "Submit".

A message will pop up showing your device information such as model name and its serial number - Click "Register this device to my account" or if you see any other message, please contact our after-sales service team

## **2. Log in to your personal account page for existing user or sign up for new user**

Existing user:                      Please log into your personal user page by inputing your user name and password.

New user:                              Please click "Sign Up" and fill in all the information.

## **3. Download all useful materials**

All your registered devices under your account will show on the page. Each product will be listed along with all its available files such as drivers, firmware, user manual in different languages and bundled software etc. for download. Please make sure you have download the necessary files such as driver before you begin device installation.

# Features



- High-quality AD convertor with 16-bit, 44.1/48kHz sampling rate
- Low-mass and large, 19mm diaphragm provides excellent frequency response for recording
- Ideal for podcasting, home studio recording, field recording, and voiceover use
- Plug & play into any PC/Mac USB port, no drivers required
- Cardioid polar pattern reduces pickup of unwanted sounds from the sides and rear, improving isolation of desired sound source
- “Clipping” LED ring is well integrated inside the mic capsule unit for aesthetic as well as practical (instant notice) reason
- Built-in 3.5mm headphone jack allows you to directly monitor with no latency
- Built-in 3.5mm stereo input jack for mono instruments (guitar, bass, etc.) and stereo line level devices (MP3 players, keyboards, etc.)
- Input selector for Line and Mic/Inst
- Direct monitoring selector for Stereo, Mono and PC
- Headphone volume control knob on front panel for easy control
- Individual Inst/Line and Mic gain control knobs on front panel for easy control
- USB2.0 compatible and USB bus-powered
- Compatible with Mac OS (Intel-Mac) and Windows XP, Vista (32-bit/64-bit), Windows 7 (32-bit/64-bit) & Windows 8 (32-bit/64-bit)
- Full duplex, simultaneous record/playback
- Metal pop filter included
- Stable tabletop stand for mounting included
- Complete cable set (guitar cable, headphone extension, stereo line with RCA adapters and USB cable) included
- Solid, die-cast construction with heavy gauge mesh grill
- Bundled with Samplitude (Windows version only) production software

# Operating the U24

## 1. Powering the U24

The U24 is a USB bus powered microphone and no external power supply is needed. When it is plugged into your Mac/PC USB port via the provided USB cable, the power LED ring inside the mic capsule unit will light up (green), indicating that the U24 is powered properly and ready for use.

## 2. Setting up the signal level

To set a good level on the MIC, set the U24 up in front of the desired sound source and slowly raise the MIC gain control until you see the Peak LED (orange) light up. Then, turn the gain control down until the LED does not light any more.

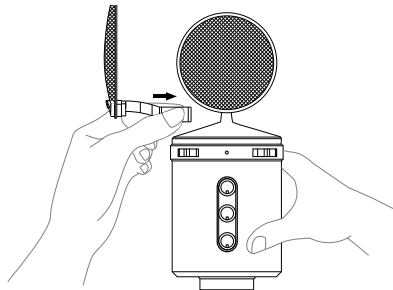
## 3. Microphone Placement

In order to maximize the sound quality, you must pay careful attention to the placement of your "U24" and how it is positioned for the instrument or vocalist that you are miking. All microphones, especially unidirectional or cardioid microphones, exhibit a phenomenon know as the "proximity effect". Very simply put, proximity effect is a resulting change in the frequency response of a microphone based on the position of the MIC capsule relative to the sound source. Specifically, when you point a cardioid MIC directly at the sound source (on-axis) you will get the best frequency response, however, when you start pointing the microphone slightly away (off-axis) you will notice the low frequency dropping off and the microphone will start to sound thinner.

For most vocal applications you'll want to position the microphone directly in front of the artist. The same may be true for miking instruments. However, you can make some pretty amazing equalization adjustments by slightly changing the angle of the capsule to the sound source. This can be a very useful technique in capturing the optimum sound of drum set, acoustic guitar, piano or other instruments in a live room or sound stage. Experimentation and experience are the best teachers in getting good sounds, so plug in!

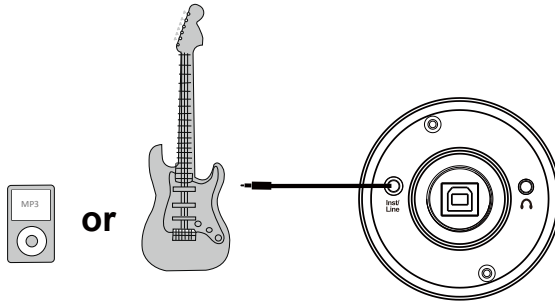
## 4. P-Poping

P-Poping is that annoying pop that you can get when the microphone diaphragm gets a blast of air from a vocalist pronouncing words with the letter "P" included. The U24 is provided with a metal pop filter, which eliminates the popping problem mostly. Install the provided pop filter as per illustration below.



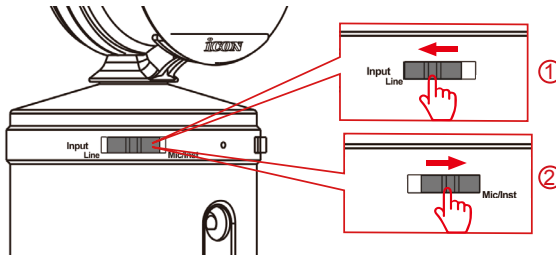
## 5. Line/Inst input

The U24 is equipped a 3.5mm stereo input jack that allows you to input a guitar or line level device for recording. Different cables are provided for different input devices.



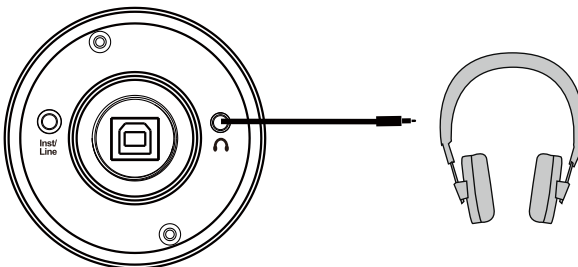
### Input switch (Line & Mic/Inst)

- ① For Line input – Slide the switch to the left “Line” position.
- ② For Mic/Inst input – Slide the switch to the right “Mic/Inst” position.



## 6. Headphone out and Direct monitoring

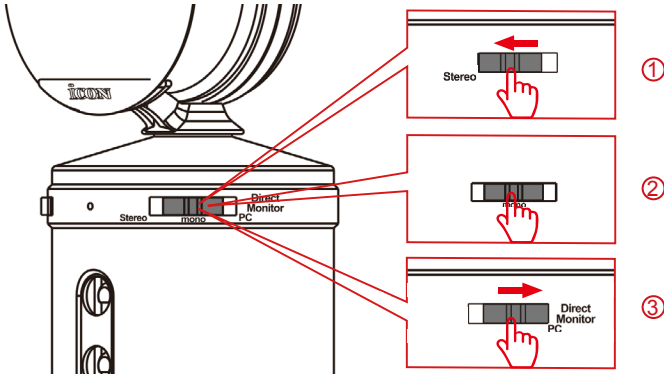
The U24 is equipped with a 3.5mm stereo output jack that allows you to plug in a stereo headphone for monitoring. A 2.8m extension cable is provided.





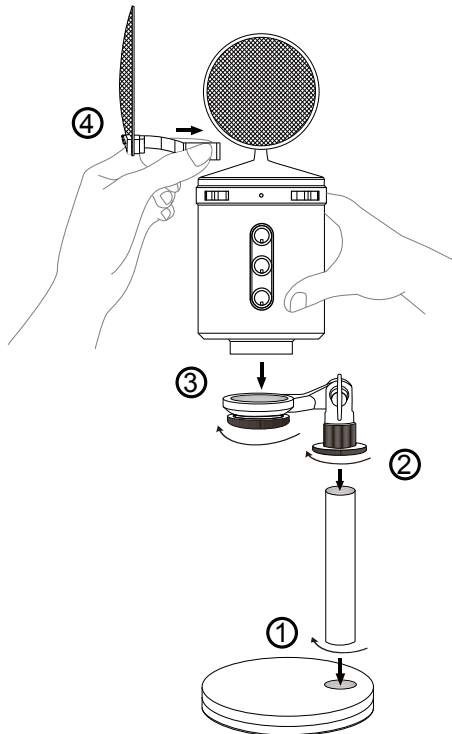
## 7. Direct monitoring switch

- ① Stereo – For using the Line input signal. Left and right channel signal will be sent to the headphone's left and right speaker unit correspondingly.
- ② Mono – For Mic/Inst input signal. Signal from Mic and Inst will be mixed and sent together to the headphone.
- ③ PC – Only signal from the PC will be monitored.



## 8. Mounting the U24

Mount your U24 into the provided table stand as the diagrams illustrated below.



# Specifications

Element Type .....	19mm Electret condenser type
Sample Rate.....	16bit/48KHz
Acoustical operating principle.....	Pressure gradient transducer
Directional pattern .....	Cardioid
Frequency range .....	20Hz – 18KHz
Sensitivity .....	-42 ± 2 dB/Pa
SPL.....	126dB
S/N ratio.....	More than 66dB
Power consumption .....	100mA
Weight (Microphone only).....	0.51Kg (1.12lb)
Dimensions.....	65mm (dia.) x 163mm (L)
.....	2.6" (dia.) x 6.4" (L)

# Services

If your U24 needs servicing, follow these instructions.

Check our online Help Center at <http://support.iconproaudio.com/hc/en-us>, for information, knowledge, and downloads such as:

1. FAQ
2. Download
3. Learn More
4. Forum

Very often you will find solutions on these pages. If you don't find a solution, create a support ticket at our online Help Center at the link below, and our technical support team will assist you as soon as we can.

Navigate to <http://support.iconproaudio.com/hc/en-us> and then sign in to submit a ticket.

As soon as you have submitted an inquiry ticket, our support team will assist you to resolve the problem with your ICON ProAudio device as soon as possible.

To send defective products for service:

1. Ensure the problem is not related to operation error or external system devices.
2. Keep this owner's manual. We don't need it to repair the unit.
3. Pack the unit in its original packaging including end card and box. This is very important. If you have lost the packaging, please make sure you have packed the unit properly. ICON is not responsible for any damage that occurs due to non-factory packing.
4. Ship to the ICON tech support center or the local return authorization. See our service centers and distributor service points at the link below:

If you are located in US

Send the product to:

**North America**

**Mixware, LLC – U.S. Distributor  
11070 Fleetwood Street – Unit F.**

**Sun Valley, CA 91352; USA**

**Tel.: (818) 578 4030**

**Contact: [www.mixware.net/help](http://www.mixware.net/help)**

If you are located in Hong Kong

Send the product to:

**ASIA OFFICE:**

**Unit F, 15/F., Fu Cheung Centre,  
No. 5-7 Wong Chuk Yueng**

**Street, Fotan,**

**Sha Tin, N.T., Hong Kong.**

If you are located in Europe

Send the product to:

**Sound Service**

**GmbH European**

**Headquarter Moriz-Seeler-Straße**

**3D-12489 Berlin**

**Telephone: +49 (0)30 707 130-0**

**Fax: +49 (0)30 707 130-189**

**E-Mail: [info@sound-service.eu](mailto:info@sound-service.eu)**

5. For additional update information please visit our website at:

**[www.iconproaudio.com](http://www.iconproaudio.com)**



天猫官方旗舰店



天猫店iconproaudio旗舰店

抖音号



抖音iCON艾肯

哔哩哔哩



B站iCONProAudio

微信公众号



微信号iCON-PRO

官方售后QQ



4006311312.114.qq.com

中国地区用户

Twitter



[www.twitter.com/iconproaudio](http://www.twitter.com/iconproaudio)

Instagram



[www.instagram.com/iconproaudio](http://www.instagram.com/iconproaudio)

Facebook



[www.facebook.com/iconproaudio](http://www.facebook.com/iconproaudio)

Youtube



[www.youtube.com/iconproaudio](http://www.youtube.com/iconproaudio)

Website



[www.iconproaudio.com](http://www.iconproaudio.com)

Support



[support.iconproaudio.com](http://support.iconproaudio.com)

Dashboard



[iconproaudio.com/dashboard/](http://iconproaudio.com/dashboard/)

[www.iconproaudio.com](http://www.iconproaudio.com)