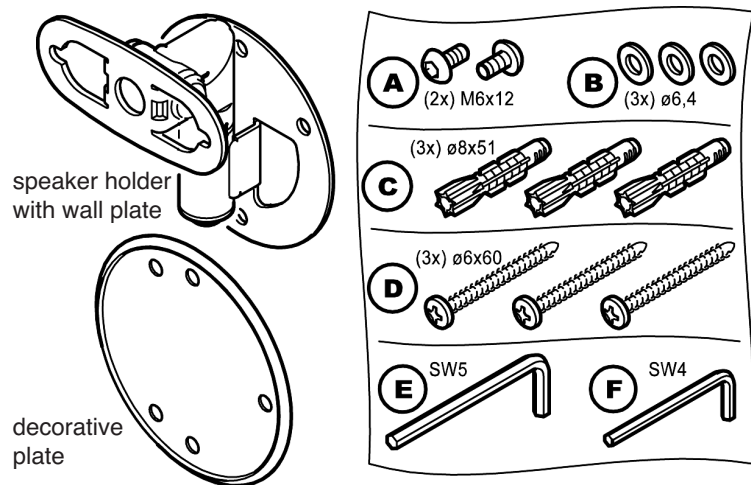


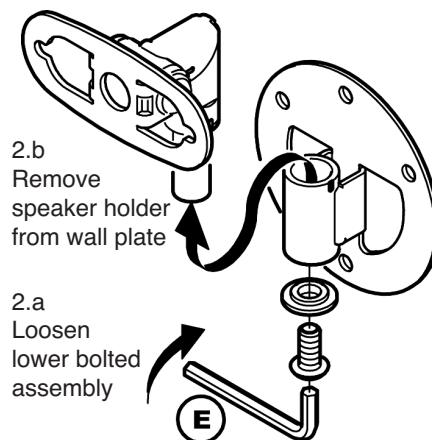
# 8000-422B/W WALL MOUNT for GENELEC 6010A, 8020B, 8030A black/white

## Instruction Manual

### 1. Equipment



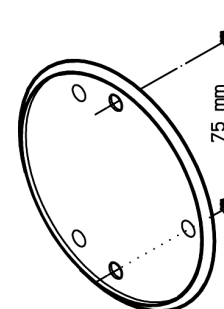
### 2. Separate speaker holder from wall plate



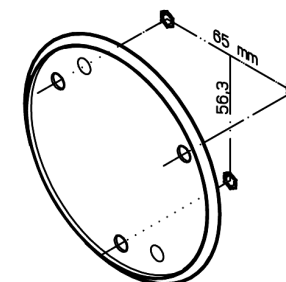
### 4. Wall mount fastening

4.a Adjust decorative plate according to the drilled two-or-three-hole-pattern

4.a.1 Two-hole-pattern



4.a.2 Three-hole-pattern



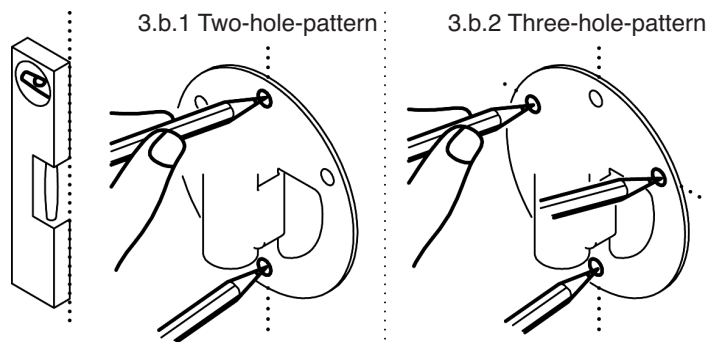
### 3. Wall mount preparation

3.a Determine wall fastening

3.a.1 Provided screw/dowel set is suitable for:  
concrete, full brick, perforated brick & drywall

3.a.2 For other walls like wood, adobe etc. use adequate anchors

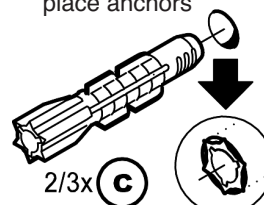
3.b Adjust wall plate vertically and mark drilling holes (two options):



3.c Anchor holes drilling for two or three hole pattern: - dia. 8 mm



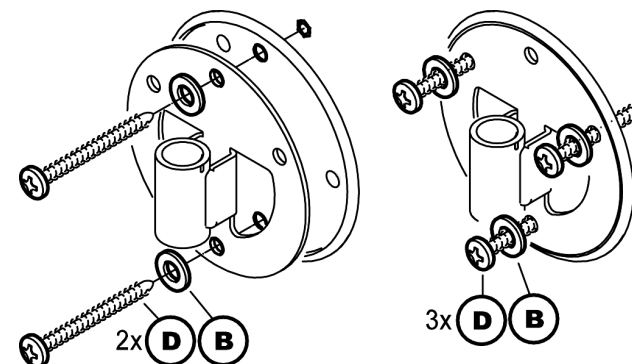
3.d Blow out holes and place anchors



4.b

Bolt down the wall plate along with the decorative plate onto the wall

Use two or three screws depending on the prepared hole pattern

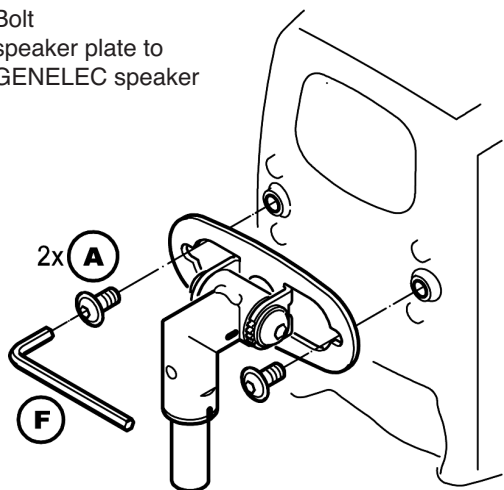


# 8000-422B/W WALL MOUNT for GENELEC 6010A, 8020B, 8030A black/white

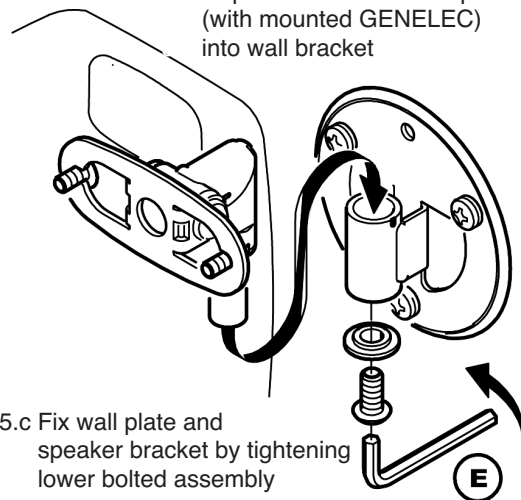
## Instruction Manual

### 5. Speaker installation

5.a  
Bolt  
speaker plate to  
GENELEC speaker



5.b Replace the bolt of the speaker plate  
(with mounted GENELEC)  
into wall bracket

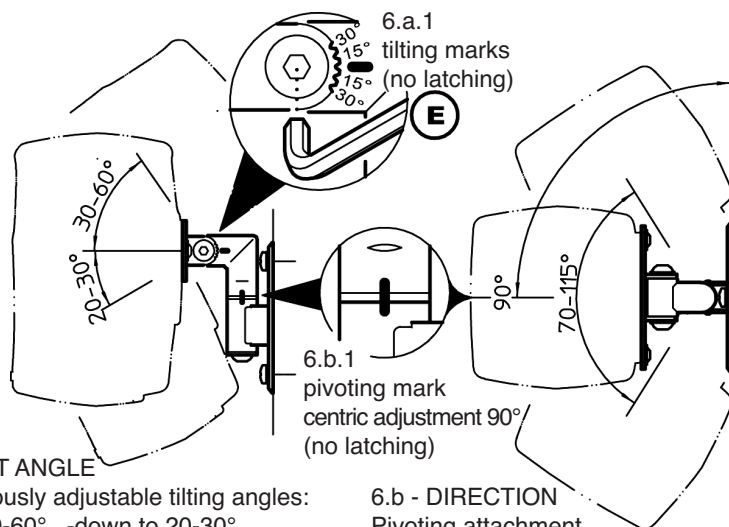


5.c Fix wall plate and  
speaker bracket by tightening  
lower bolted assembly

### Safety Instructions

- Choose a position and mounting method compliant with local building codes and regulations
- For use only by trained installers
- For use only at proper walls with adequate anchors
- Not suitable for fragile walls. Beware of power supply lines and water conduits. In case ask an expert.
- Inspect bolted assemblies periodically
- For indoor use only

### 6. Settings (speaker-based)

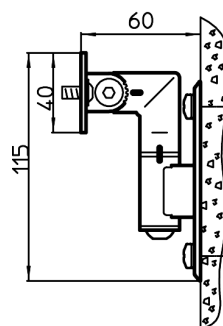


6.a - TILT ANGLE

Continuously adjustable tilting angles:  
-up to 30-60° -down to 20-30°,  
Fix both lateral allen screws (AF5 mm)

6.b - DIRECTION  
Pivoting attachment  
around vertical axis

### 7. Dimensions (in mm)



Weight: 0,5 kg

