

HD1521

The HD1521 2-Way High-Definition Powered Loudspeaker delivers 1600W of peak system power via Class-D Fast Recovery™ amplification. Class-D amp design delivers up to 95% efficiency and, along with the lightweight switch-mode power supply, drastically reduces loudspeaker weight.

Mackie High-Definition Audio Processing provides unmatched sonic accuracy and clarity. Mackie Active technology includes a precision 2-way crossover, transducer time alignment, and phase correction. Plus, patented acoustic correction algorithms harness the power of proprietary measurement tools that identify sonic anomalies that are inherent to all horn-loaded systems. Extremely complex algorithms are then applied to the HD1521 to counter these anomalies; this improves vocal intelligibility while removing high frequency discord.

EAW custom-designed HD Series transducers maximize efficiency and performance when matched with the system's internal amps. The 15-inch woofer uses a neodymium magnet for reduced weight, and the 3-inch voice coil dissipates heat extremely well. The 1.75-inch compression driver utilizes heat-treated titanium, which provides increased diaphragm rigidity, eliminating distortion that can occur due to surface inconsistencies.

The integrated 3-band contour EQ with a sweepable mid allows the user to custom-tailor system tone for their application or correct for common room anomalies. A bypass switch provides easy implementation of a pre-set EQ.

The 15mm birch plywood enclosure is rugged and ready for install using the 12 integral fly points. Standard M-10 eyebolts allow the HD1521 to be flown both vertically and horizontally, and its 80° x 50° horn can be rotated 90° if desired. The look of the HD1521 is understated and the front LED can be defeated for maximum stealth. The lightweight design of the HD1521 allows for pole-mounting on a tripod stand or atop a subwoofer.

APPLICATIONS

Small to mid-size club/band PA systems, houses of worship, DJs, rehearsal spaces, gymnasiums, banquet halls, A/V rentals and many, many more.



FEATURES:

- 15" 2-way High-Definition Powered Loudspeaker System
- 1600W of efficient Class-D Fast Recovery™ amplification
 - LF amp: 700W RMS / 1400W peak
 - HF amp: 100W RMS / 200W peak
- Custom designed transducers by EAW
 - 15" neodymium woofer with 3" voice coil
 - 1.75" compression driver with heat-treated titanium diaphragm
- High-definition audio processing includes:
 - Revolutionary patented acoustic correction
 - Transducer time alignment and phase correction
 - Precision 2-way crossover
- User-adjustable 3-band contour EQ with sweepable mid-frequency
- Ultra-compact and lightweight
- Integrated limiting and protection circuitry
- Rugged all wood cabinet (15mm birch plywood)
- 12 integrated fly points for horizontal and vertical rigging using M10 threaded eyebolts
- Stand / pole mountable

HDI521 SPECIFICATIONS

Acoustic Performance

Frequency Response (-3 dB)	50 Hz - 18 kHz
Frequency Range (-10 dB)	40 Hz - 20 kHz
Horizontal Coverage (-6 dB) ¹	80° averaged 2 kHz to 10 kHz
Vertical Coverage (-6 dB) ¹	50° averaged 2 kHz to 10 kHz
Directivity Factor; Q (DI)	14.0 (11.4), averaged 2 kHz to 10 kHz
Max SPL peak (calculated) ²	135 dB @ 1 m
Max SPL peak (measured) ³	125 dB @ 1 m
Crossover Point	1200 Hz

¹ HF horn can be rotated 90° if desired.

² Calculated from driver sensitivity and amplifier power.

³ Measured with pink noise, free field at 1 meter, before limiting.

Input / Output

Input Type	Female XLR, balanced differential
Input Impedance	11 kΩ balanced
Loop Out Type	Male XLR, balanced differential

Equalization

Low Shelving	±3 dB @ 80 Hz (6 dB / octave)
Mid Peaking	±3 dB, 100 Hz to 8 kHz, Q=1.5
High Shelving	±3 dB @ 12 kHz (6 dB / octave)

Low-Frequency Power Amplifier

Rated Power	700 watts rms 1400 watts peak
Rated THD	< 0.03%
Cooling	Convection Extrusion
Design	Class D

High-Frequency Power Amplifier

Rated Power	100 watts rms 200 watts peak
Rated THD	< 0.03%
Cooling	Convection Extrusion
Design	Class D

Low-Frequency Transducer

Diameter	15 in / 381 mm
Voice Coil Diameter	3 in / 76 mm
Diaphragm Material	Paper
Magnet Material	Neodymium

High-Frequency Transducer

Voice Coil Diameter	1.75 in / 44 mm
Horn Entry Diameter	1 in / 25 mm
Diaphragm Material	Heat treated titanium

Line Input Power

US	100 - 120 VAC, 50 - 60 Hz, 1050W
Recommended amperage service	9 amps
EU, CN	200 - 240 VAC, 50 - 60 Hz, 1050W
Recommended amperage service	5 amps
AC Connector	3-pin IEC 250 VAC

Safety Features

RMS limiting, power supply and amplifier thermal protection

Construction Features

Basic Design	Trapezoidal, 20° included angle
Material	15 mm exterior grade premium birch plywood
Finish	High durability black paint
Handles	One on each side
Grille	Powder coated galvanized steel
Display LEDs	Power ON, EQ ON, Sig/Limit, Thermal protection, Front Power Light ON
Fly Points	Twelve M10 x 1.5 mm
Operating Temperature	0° - 40°C 32° - 104°F

Physical Properties (packaged product)

Height	33.0 in / 838 mm
Width	21.0 in / 533 mm
Depth	22.0 in / 559 mm
Shipping Weight	89.0 lb / 40.4 kg

Physical Properties (product)

Height	30.0 in / 762 mm
Front Width	18.3 in / 464 mm
Rear Width	11.8 in / 300 mm
Depth	18.8 in / 478 mm
Net Weight	80.0 lb / 36.3 kg

Mounting Methods

Floor mount, pole mount, or fly via 12 integrated threaded inserts using M10 x 1.5 x 37 mm forged shoulder eyebolts.

Options

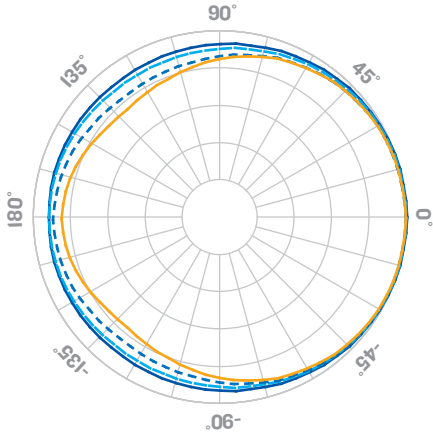
PA-A2 Forged Shoulder Eyebolt Kit (4 x M10 x 1.5 mm x 37 mm)	P/N 0028272
SPM200 Loudspeaker Pole Mount	P/N 2035170-01

Ordering Information

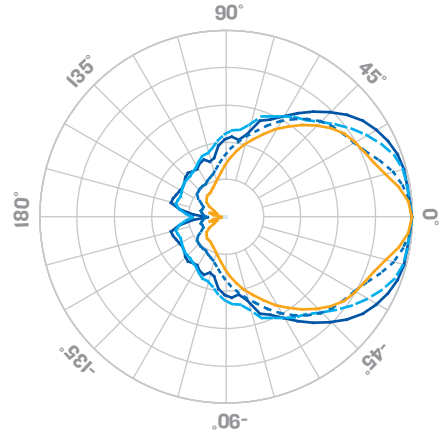
HD1521 15" 2-Way High Definition Powered Loudspeaker, US	P/N 0032628-00
HD1521 15" 2-Way High Definition Powered Loudspeaker, EU	P/N 0032628-01
HD1521 15" 2-Way High Definition Powered Loudspeaker, CN	P/N 0032628-05

HDI521 HORIZONTAL POLARS

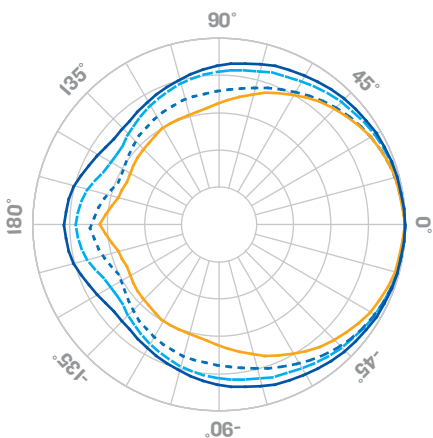
Gridlines: 6 dB axial / 15 degrees radial



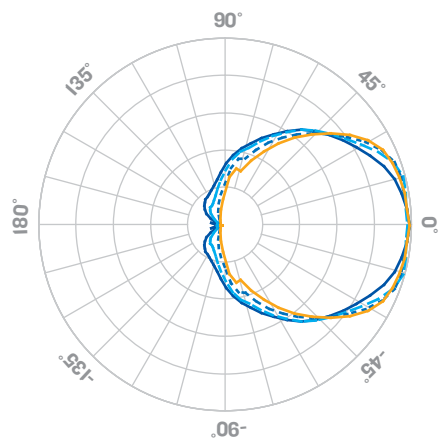
- 100Hz
- - - 125Hz
- · · 160Hz
- 200Hz



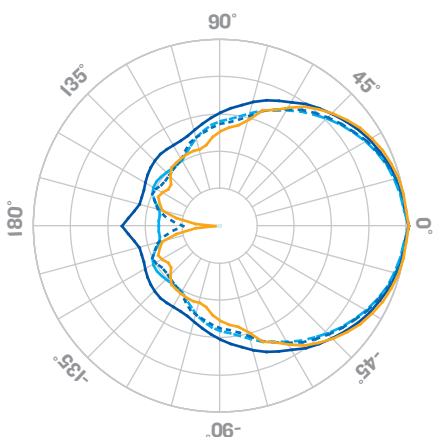
- 1600Hz
- - - 2000Hz
- · · 2500Hz
- 3150Hz



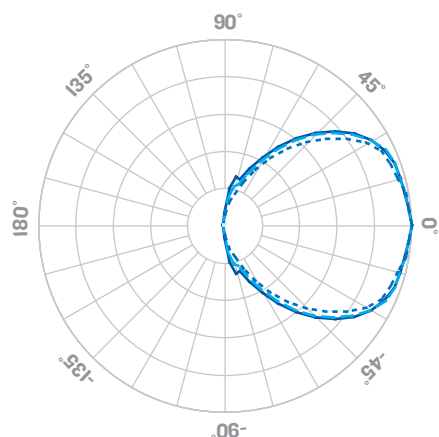
- 250Hz
- - - 315Hz
- · · 400Hz
- 500Hz



- 4000Hz
- - - 5000Hz
- · · 6300Hz
- 8000Hz



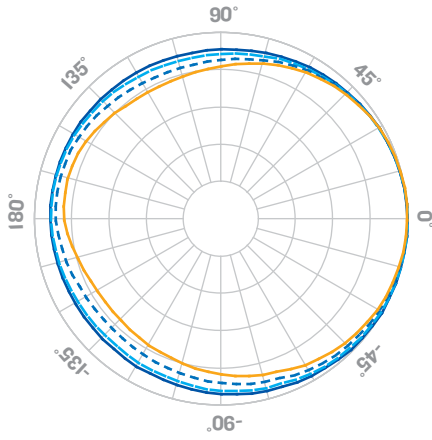
- 630Hz
- - - 800Hz
- · · 1000Hz
- 1250Hz



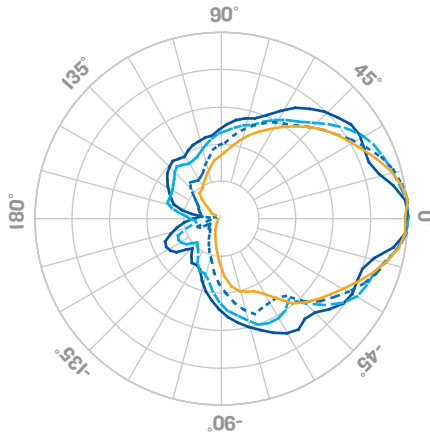
- 10000Hz
- - - 12000Hz
- · · 16000Hz

HDI521 VERTICAL POLARS

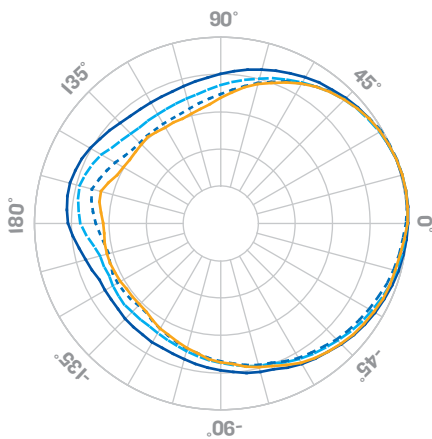
Gridlines: 6 dB axial / 15 degrees radial



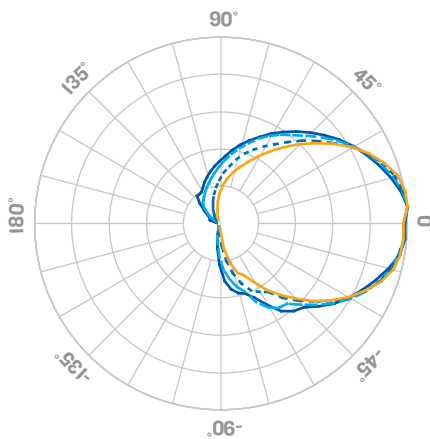
- 100Hz
- 125Hz
- 160Hz
- 200Hz



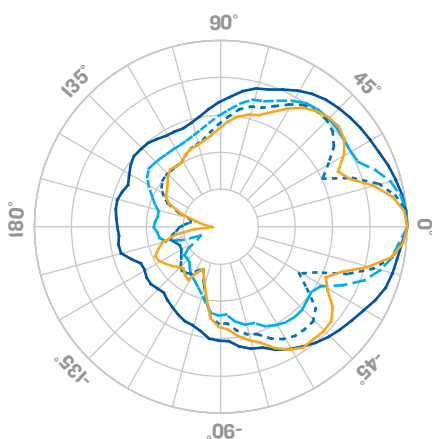
- 1600Hz
- 2000Hz
- 2500Hz
- 3150Hz



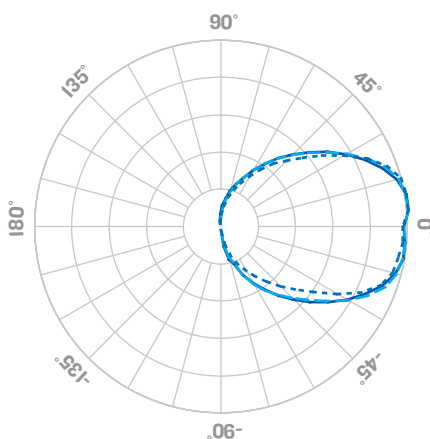
- 250Hz
- 315Hz
- 400Hz
- 500Hz



- 4000Hz
- 5000Hz
- 6300Hz
- 8000Hz

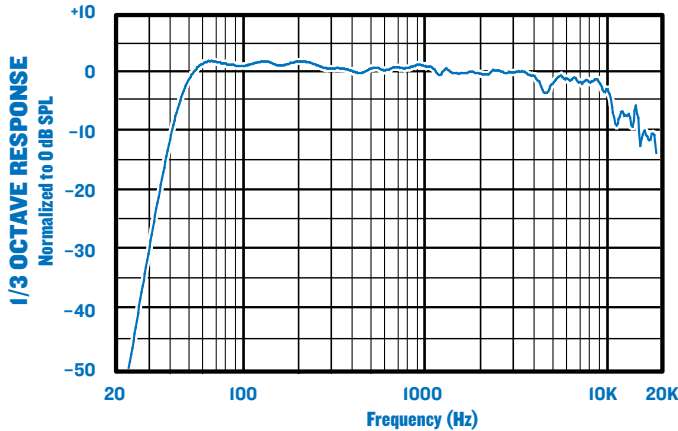


- 630Hz
- 800Hz
- 1000Hz
- 1250Hz

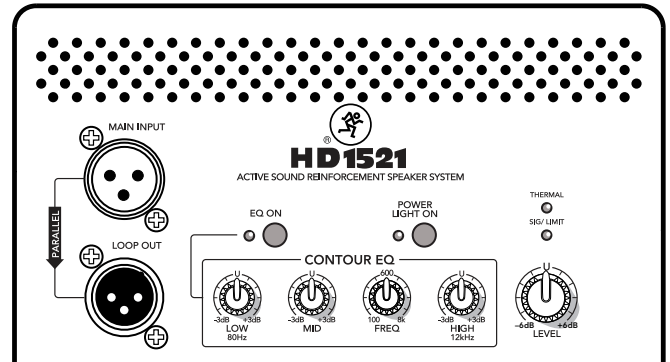


- 10000Hz
- 12000Hz
- 16000Hz

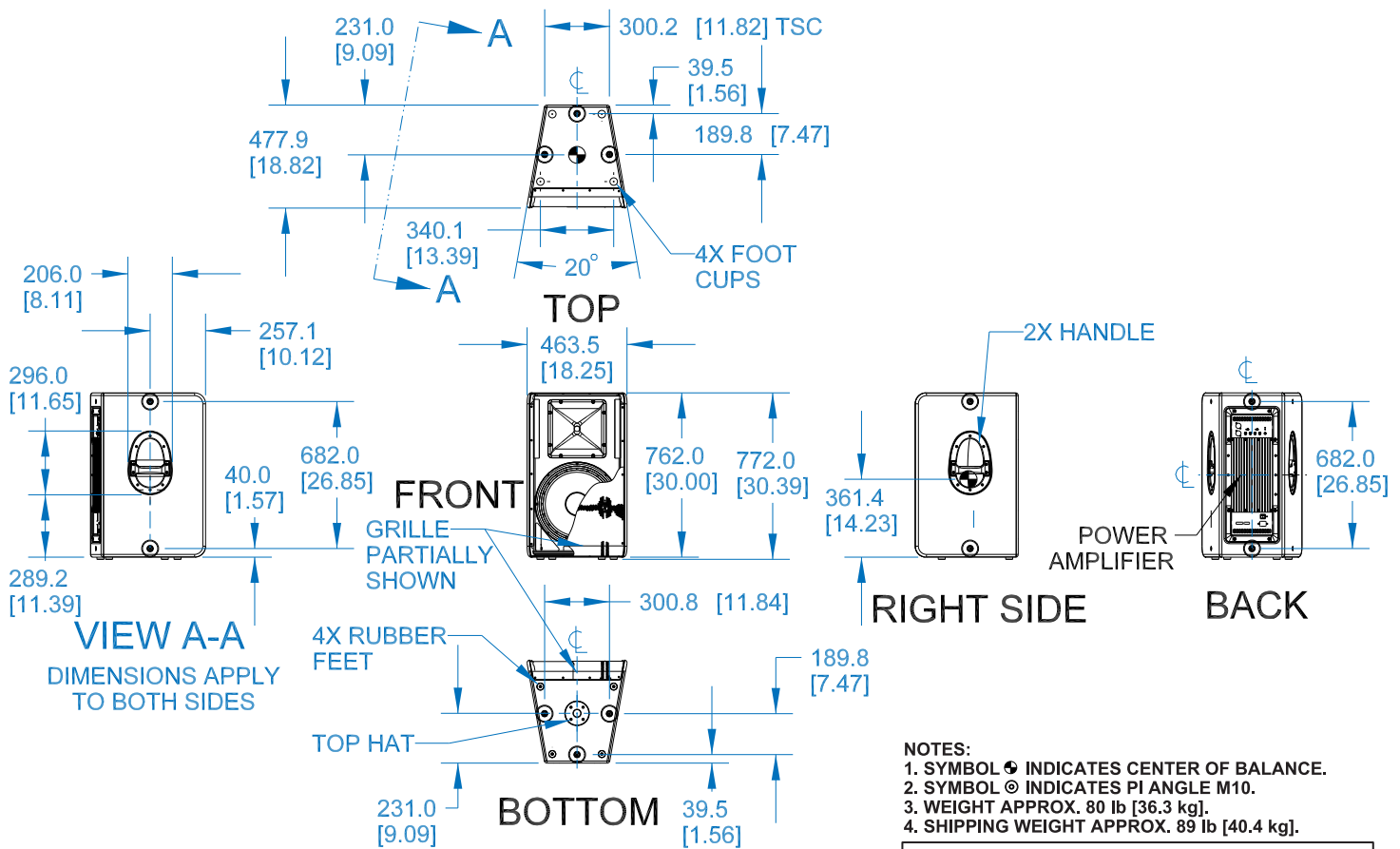
HDI521 FREQUENCY RESPONSE



HDI521 INPUT PANEL



HDI521 DIMENSIONS



- NOTES:
1. SYMBOL ⊕ INDICATES CENTER OF BALANCE.
 2. SYMBOL ⊙ INDICATES PI ANGLE M10.
 3. WEIGHT APPROX. 80 lb [36.3 kg].
 4. SHIPPING WEIGHT APPROX. 89 lb [40.4 kg].

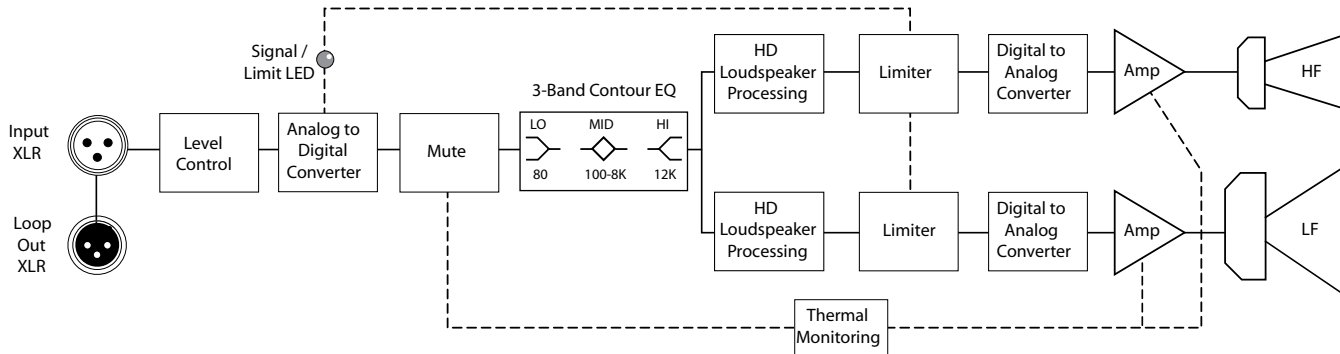
UNLESS OTHERWISE SPECIFIED: ALL DIMENSIONS ARE IN MILLIMETERS. DUAL [INCHES] DIMENSIONS FOR REF ONLY.

TOLERANCES
LINEAR ± 3.3 mm / ± 0.13 in; ANGLES ± 1°

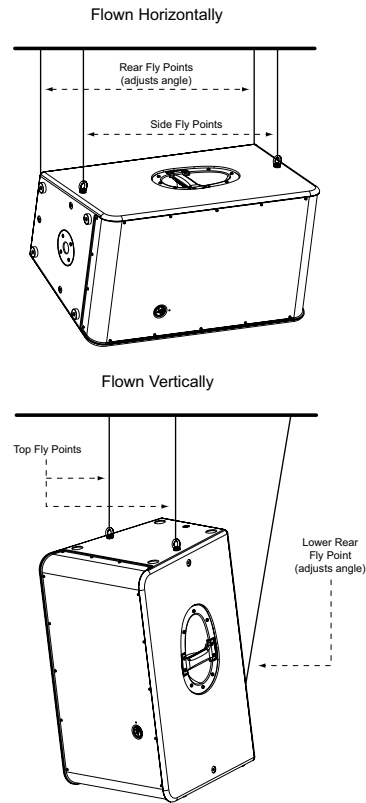
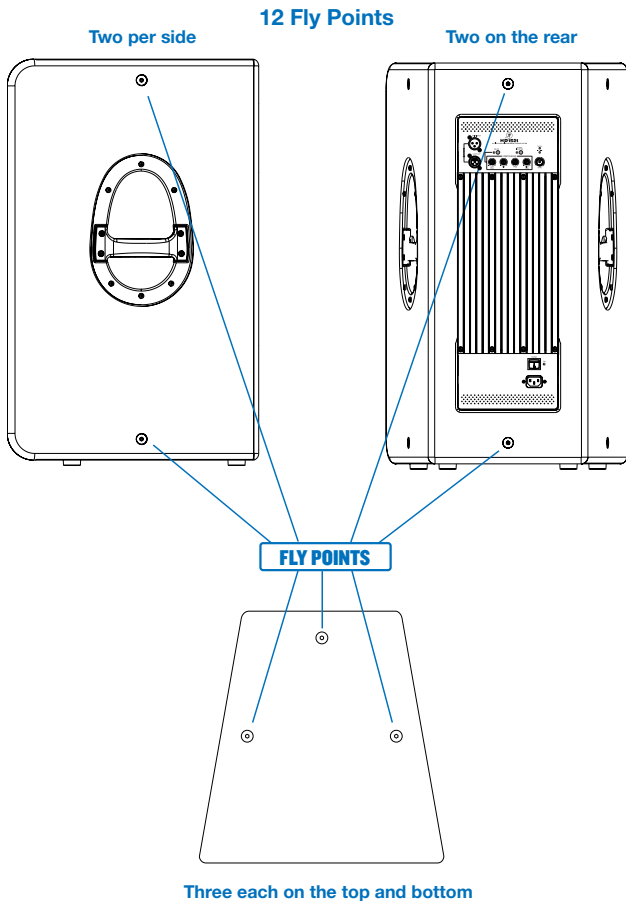
(X.XX) = REF DIMS
NO TOLERANCE IMPLIED

TSC=THEORETICAL SHARP CORNER
DIMENSIONS ACROSS CENTERLINES
TO BE SYMMETRICAL

HD1521 BLOCK DIAGRAM



HD1521 FLY POINTS



Electronic files for this product are available at:
www.mackie.com

Specification Sheet	HD1521_SS.PDF
Owner's Manual	HD1521_OM.PDF
EASE Data	HD1521_EASE_DATA.zip

Since we are always striving to make our products better by incorporating new and improved materials, components, and manufacturing methods, we reserve the right to change these specifications at any time without notice. "Mackie" and the "Running Man" figure are registered trademarks of LOUD Technologies Inc. All other brand names mentioned are trademarks or registered trademarks of their respective holders, and are hereby acknowledged.

MACKIE®

www.mackie.com
 16220 Wood-Red Road NE
 Woodinville, WA 98072 USA
 800-898-3211, Fax 425-487-4337, sales@mackie.com

Part No. SW0765 Rev. B 06/10

©2010 LOUD Technologies Inc. All Rights Reserved.