



MICPAT-2



This APart paging microphone is a sturdy high quality paging microphone. It is specially designed for desk-top use. The special design of the microphone capsule reduces the risk of feedback drastically.

The MICPAT2 can be used for selective paging to 2 individual zones or 2 groups of zones.

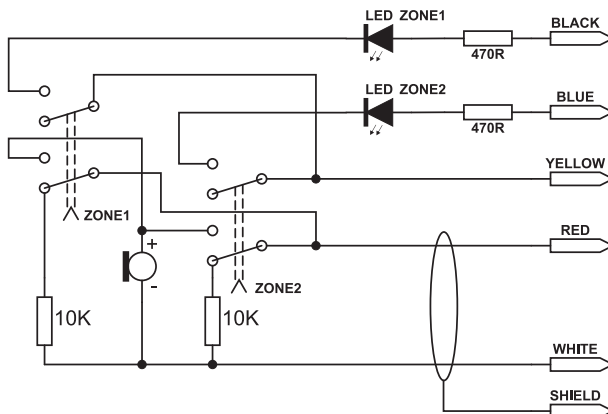
The APart amplifier range has several models which can be operated by this MICPAT2.

Usually a direct connection to the 5-way EURO-block on these amplifiers will bring your system into operation, without any batteries or DC-power needed. In such set-up, the green light above the switch will light up when the Push-To-Talk switch is pushed and the selected zone is free to accept your paging via this microphone.

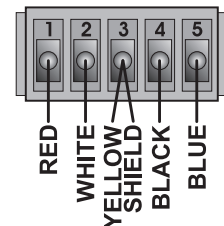
Technical Specifications

- Type : Table type
- Polar pattern : Directional, low feedback
- Frequency range : 80 Hz - 12 kHz
- Sensitivity : 2.5 mV/PA @ 1 kHz
- Rated output impedance : 600 Ohm, dynamic capsule
- Paging : 2 zone, PTT switches + remote control
- Cable Type : 5 wire + screen
- Cable length : 5 m
- Colour : black
- Material : One piece diacast mold
- Weight (incl. cable) : 0.850 kg
- Dimensions 300 (h) X 170 (w) mm

Schematic MICPAT-2



- Connection to a APart amplifier with Euroblock 5-Way



(connector not included)