



# PIXIE DRIVER 2000



## User Manual

**US SKU#:** PIX142  
**EU SKU#:** 1226200064  
**UPC#:** 818651027860  
**ITF-14#:** 10818651027867

©2020 ADJ Products, LLC all rights reserved. Information, specifications, diagrams, images, and instructions herein are subject to change without notice. ADJ Products, LLC logo and identifying product names and numbers herein are trademarks of ADJ Products, LLC. Copyright protection claimed includes all forms and matters of copyrightable materials and information now allowed by statutory or judicial law or hereinafter granted. Product names used in this document may be trademarks or registered trademarks of their respective companies and are hereby acknowledged. All non-ADJ Products, LLC brands and product names are trademarks or registered trademarks of their respective companies.

**ADJ Products, LLC** and all affiliated companies hereby disclaim any and all liabilities for property, equipment, building, and electrical damages, injuries to any persons, and direct or indirect economic loss associated with the use or reliance of any information contained within this document, and/or as a result of the improper, unsafe, insufficient and negligent assembly, installation, rigging, and operation of this product.



## DOCUMENT VERSION

Due to additional product features and/or enhancements, an updated version of this document may be available online.

Please check [www.adj.com](http://www.adj.com) for the latest revision/update of this manual before beginning installation and/or programming.

Date	Document Version	Software Version	DMX Channel Mode	Notes
08/06/20	1	1.0	Not Applicable	Initial Release
11/18/20	2	1.0	Not Applicable	Update Dimensional Drawings
12/01/20	3	2.0	Not Applicable	Update System Menu
12/08/20	4	2.0	Not Applicable	Update Specifications

Europe Energy Saving Notice

Energy Saving Matters (EuP 2009/125/EC)

Saving electric energy is a key to help protecting the environment. Please turn off all electrical products when they are not in use. To avoid power consumption in idle mode, disconnect all electrical equipment from power when not in use. Thank you!

Introduction	4
Features   Warranty Registration	5
Safety Guidelines	6
Overview	7
Installation	8
Driver Output Limitations	11
RGB Pixel Control	13
System Menu	14
Limited Warranty	21
Dimensional Drawings	22
Specifications	23
Accessories	24

**Introduction:** Congratulations on your purchase of the ADJ Pixie Driver 2000! This device has been designed to provide easy and versatile control options specifically for the ADJ Pixie Strip 30, 60, and 120 series, and to perform reliably for years when the guidelines in this booklet are followed. Please read and understand the instructions in this manual carefully and thoroughly before attempting to operate this device. These instructions contain important information regarding safety during use and maintenance.

These instructions contain important safety information regarding the use and maintenance of this unit. Please keep this manual with the unit for future reference.

**Customer Support:** Contact ADJ Service for any product related service and support needs. Also visit [forums.adj.com](http://forums.adj.com) with questions, comments or suggestions.

**Parts:** To purchase parts online visit:

<http://parts.adj.com> (US)

<http://www.adjparts.eu> (EU)

**ADJ SERVICE USA - Monday - Friday 8:00am to 4:30pm PST**

**Voice: 800-322-6337 | Fax: 323-582-2941 | [support@adj.com](mailto:support@adj.com)**

**ADJ SERVICE EUROPE - Monday - Friday 08:30 to 17:00 CET**

**Voice: +31 45 546 85 60 | Fax: +31 45 546 85 96 | [support@adj.eu](mailto:support@adj.eu)**

#### **ADJ PRODUCTS LLC USA**

6122 S. Eastern Ave. Los Angeles, CA. 90040

323-582-2650 | Fax 323-532-2941 | [www.adj.com](http://www.adj.com) | [info@adj.com](mailto:info@adj.com)

#### **ADJ SUPPLY Europe B.V**

Junostraat 2 6468 EW Kerkrade, The Netherlands

+31 (0)45 546 85 00 | Fax +31 45 546 85 99

[www.adj.eu](http://www.adj.eu) | [info@adj.eu](mailto:info@adj.eu)

#### **ADJ PRODUCTS GROUP Mexico**

AV Santa Ana 30 Parque Industrial Lerma, Lerma, Mexico 52000

+52 (728) 282-7070

**WARNING!** To prevent or reduce the risk of electrical shock or fire, do not expose this unit to rain or moisture.

**CAUTION!** There are no user serviceable parts inside this unit. Do not attempt any repairs yourself, doing so will void your manufacturer's warranty. In the unlikely event your unit may require service, please contact ADJ Products, LLC.

Do not discard the shipping carton in the trash. Please recycle when ever possible.

- Power & data supply for ADJ Pixie Strip 30, 60, & 120
- Manual RGB mode
- Internal programs
- Manual dimming and strobe control
- Full pixel mapping control
- 2,040 pixels via Kling-Net
- 340 pixels via Art-Net and sACN (streaming ACN)
- OLED screen with 4-button menu

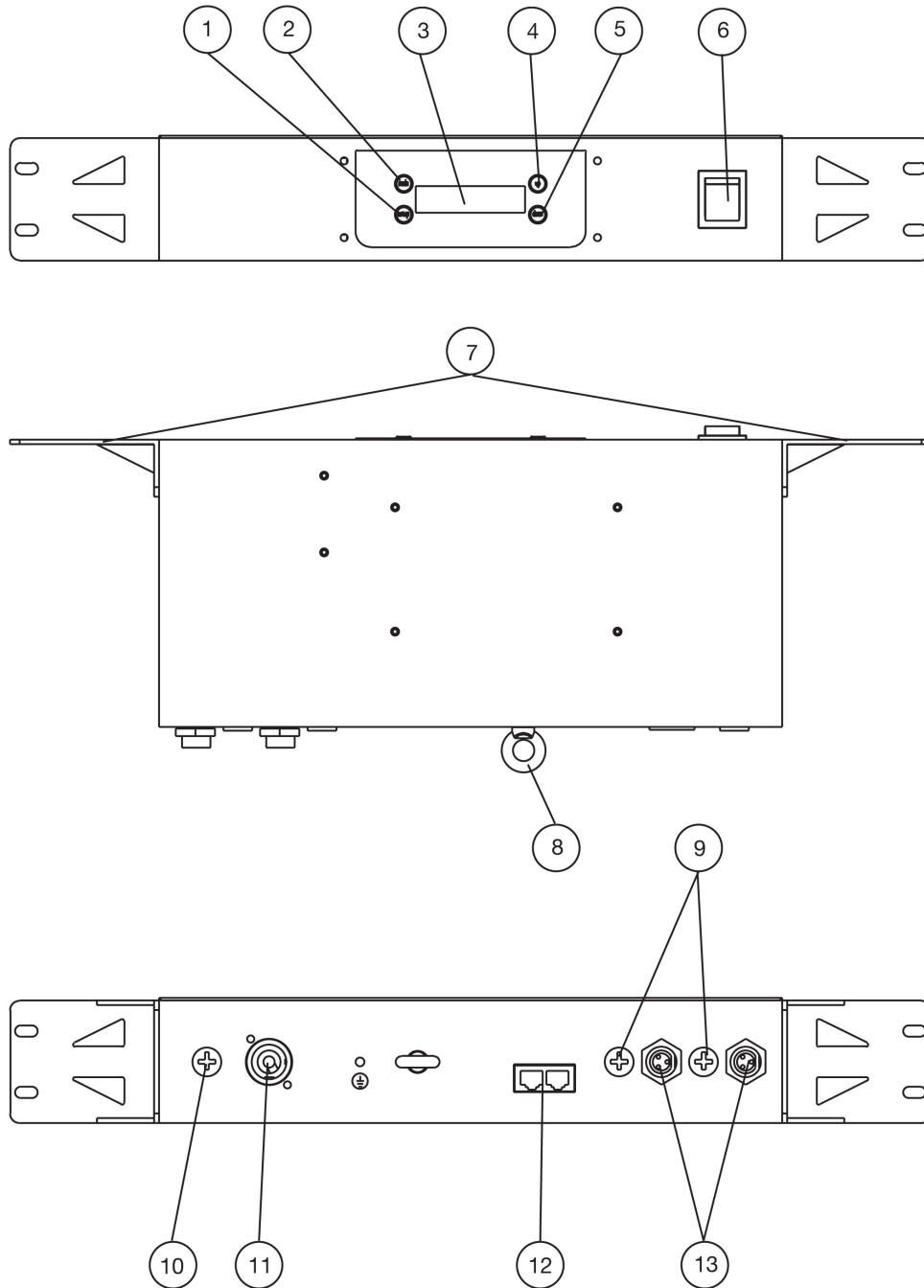
**Included Items:**

1 x 10-foot (3m) 4-pin power / data cable

The Pixie Driver 2000 carries a 2 year limited warranty. Please fill out the enclosed warranty card to validate your purchase. All returned service items, whether under warranty or not, must be freight pre-paid and accompanied by a return authorization (R.A.) number. The R.A. number must be clearly written on the outside of the return package. A brief description of the problem as well as the R.A. number must also be written down on a piece of paper included in the shipping carton. If the unit is under warranty, you must provide a copy of your proof of purchase invoice. You may obtain a R.A. number by contacting our customer support team. All packages returned to the service department not displaying a R.A. number on the outside of the package will be returned to the shipper.

***For Your Own Personal Safety, Please Read and Understand This Manual Completely Before You Attempt To Install Or Operate This Unit!***

- Be sure to save the packing carton in the unlikely event the device may have to be returned for service
- Do not spill water or other liquids into or on to the device.
- Be sure that the local power outlet matches the required voltage for the device
- Do not open up the device under any conditions. There are no user serviceable parts inside
- Disconnect the device's main power when left unused for long periods of time
- Never connect this device to a dimmer pack
- Do not attempt to operate this device if it has been damaged in any way
- Never operate this device with the cover removed
- To reduce the risk of electrical shock or fire, do not expose this device to rain or moisture
- Do not attempt to operate this device if the power cord has been frayed or broken. Do not attempt to remove or break off the ground prong from the electrical cord. This prong is used to reduce the risk of electrical shock and fire in case of an internal short
- Disconnect from main power before making any type of connection
- Never block the ventilation holes. Always be sure to mount this device in an area that will allow proper ventilation. Allow about 6" (15cm) between this device and a wall
- This unit is intended for indoor use only. Use of this product outdoors voids all warranties
- Always mount this unit in a safe and stable matter
- Please route your power cord out of the way of foot traffic. Power cords should be routed so they are not likely to be walked on, or pinched by items placed upon or against them
  
- **Ambient operating temperature ranges is from -4°F to 113°F (-20°C to 45°C). Do not operate this device when ambient temperature falls outside of this range!**
  
- **Keep flammable materials away from this fixture!**
  
- **IP20 Rating: Fixture is protected against solids approximately the size of an adult finger, or larger. FIXTURE IS NOT PROTECTED AGAINST LIQUID INTRUSION OF ANY KIND!**
  
- The device should be serviced by qualified service personnel when:
  - A. The power-supply cord or the plug has been damaged.
  - B. Objects have fallen on, or liquid has been spilled into, the device.
  - C. The device has been exposed to rain or water.
  - D. The appliance does not appear to operate normally or exhibits a marked change in performance.



- |                      |                                  |
|----------------------|----------------------------------|
| 1. Setup Button      | 8. Safety Cable Attachment Point |
| 2. Mode Button       | 9. 10A Output Fuses              |
| 3. LCD Screen        | 10. 3A Input Fuse                |
| 4. Up Button         | 11. Power In                     |
| 5. Down Button       | 12. Kling-Net/Art-Net Ports      |
| 6. Main Power Switch | 13. 4-pin Outlet Sockets         |
| 7. Mounting Brackets |                                  |

**FLAMMABLE MATERIAL WARNING!**

Keep drive a minimum of 5.0 feet (1.5m) away from flammable material and/or pyrotechnics.

**ELECTRICAL CONNECTIONS**

A qualified electrician should be used for all electrical connections and/or installations.

**DO NOT INSTALL THE DEVICE IF YOU ARE NOT QUALIFIED TO DO SO!**

The driver **MUST** be installed following all local, national, and country commercial electrical and construction codes and regulations.

Before installing or mounting any device, a professional equipment installer **MUST** be consulted to determine whether the mounting structure or surface is properly certified to safely support the combined weight of the device and any relevant accessories.

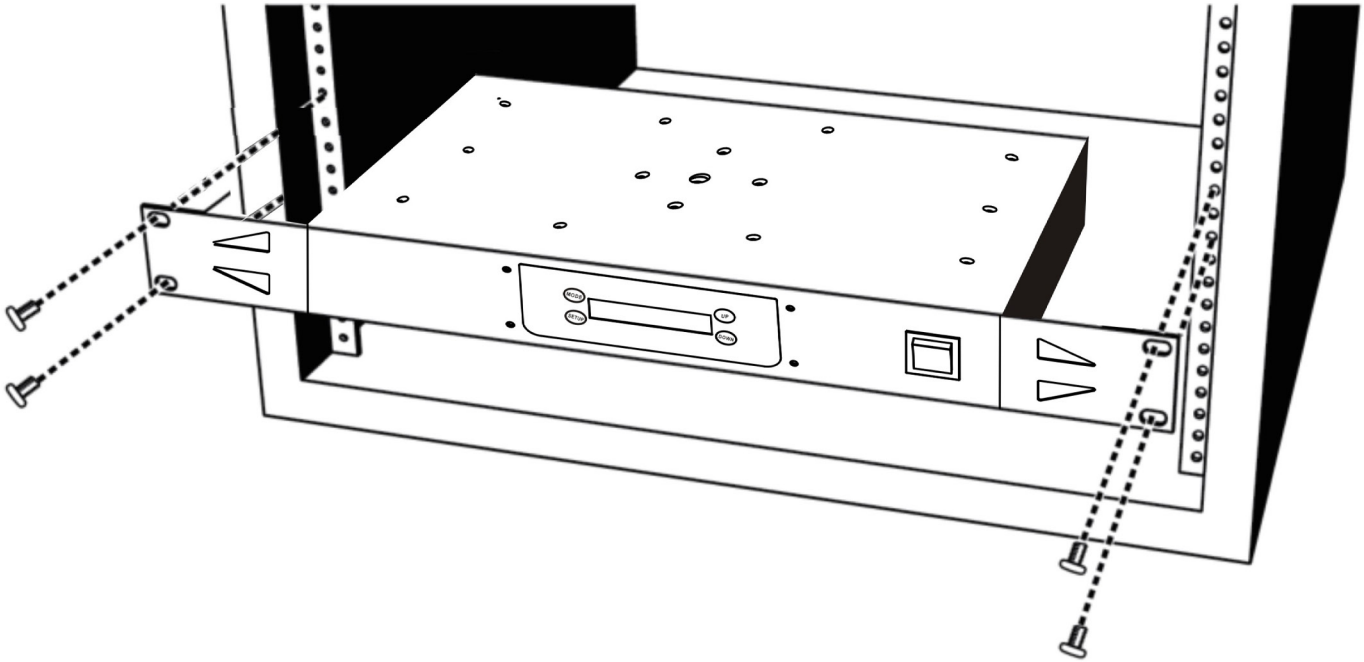
Ambient operating temperature range is from **-4°F to 113°F (-20°C to 45°C)**. Do not operate this device when ambient temperature falls outside this range.

The device should be installed in areas outside walking paths, seating areas, or away from areas where unauthorized personnel might be able to reach the device by hand.



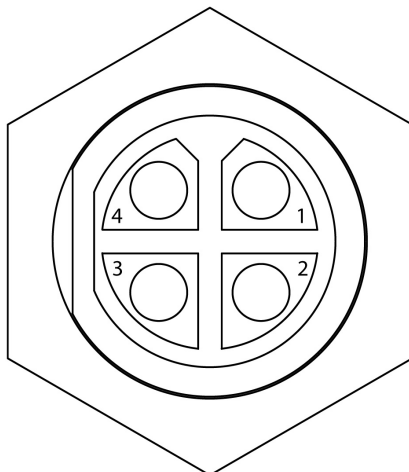
## RACK MOUNTING

This device can be mounted in a standard 19-inch rack using the mounting brackets located on each side of the device. Make sure to use mounting hardware that fits the mounting holes on the device as well as the rack itself. Use all four (4) points on the mounting brackets to ensure that the device is mounted securely. Please see the illustration above for reference.



## OUTLET SOCKET PIN CONFIGURATION

This device features two (2) output sockets on the back side, which may be used to connect the device to the desired lighting fixtures. The pins for each output socket are configured as shown in the image below. **Please consult a qualified electrician for all electrical connections and/or installations.**



- Pin 1: Power (+)
- Pin 2: Data
- Pin 3: CLK (clock pin)
- Pin 4: Power (-)

## MULTIPLE DRIVERS

Up to five (5) Pixie Driver 2000 devices may be daisy-chained directly together and linked to a single controller. See the image below for reference. **Do NOT daisy-chain more than five (5) devices directly together.**



If more than five (5) devices are required, a one-gigabit ethernet switch may be used to expand the size of the network. However, even in this case, no more than ten (10) branches from the ethernet switch are allowable, with each branch containing up to five (5) daisy-chained devices. This permits a maximum of fifty (50) devices to be linked to a single controller, as shown in the image below. **Do NOT exceed this number of devices!**



## ALLOWABLE CABLE LENGTHS

12-AWG 4-pin extension cable or 16-AWG 4-pin extension cable may be used to link multiple devices. However, please take note of maximum allowable cable lengths, as listed below:

- Max length of cable connecting a controller and a device: **59 feet (18m)**
- Max length of cable connecting two devices: **32 feet (10m)**
- Max total cable length in a single chain: **213 feet (65m) for 12-AWG / 98 feet (30m) for 16-AWG**

There is a limitation to how many pixels can be controlled by each driver output port, which in turn determines the maximum number of lighting fixtures that can be controlled by a single output or driver.

MODEL	TOTAL PIXELS	TOTAL CONTROL CHAN.	KLING-NET MAX PIXELS PER PORT = 1020 MAX PIXELS PER DRIVER = 2040			
			MAX FIXTURES per DRIVER PORT	MAX PIXELS per DRIVER PORT	MAX FIXTURES per DRIVER UNIT	MAX PIXELS per DRIVER UNIT
Pixie Strip 30	30	90	34	1020	68	2040
Pixie Strip 60	60	180	17	1020	34	2040
Pixie Strip 120	120	360	8	960	16	1920

MODEL	TOTAL PIXELS	TOTAL CONTROL CHAN.	ARTNET / sACN MAX PIXELS PER PORT = 170 MAX PIXELS PER DRIVER = 340			
			MAX FIXTURES per DRIVER PORT	MAX PIXELS per DRIVER PORT	MAX FIXTURES per DRIVER UNIT	MAX PIXELS per DRIVER UNIT
Pixie Strip 30	30	90	5	150	10	300
Pixie Strip 60	60	180	2	120	4	240
Pixie Strip 120	120	360	1	120	2	240

The values listed in the table above for number of fixtures per driver port/driver unit are representative of the maximum number of Pixie Strip fixtures that can be connected if the Pixie Strip fixtures used are all of the same model type, with individual pixel control.

For example, if you connect only Pixie Strip 30s to the driver, and operate the driver in Kling-Net mode, you can connect up to 34 units of that model type to each driver port. This is defined by the fact that each driver port can handle a maximum of 1020 pixels, and each Pixie Strip 30 fixture is made up of 30 pixels. Therefore, you have 1020 pixels per driver port, divided by 30 pixels per fixture, which equals 34 fixtures per driver port.

It is possible to mix and match Pixie Strip model types that are attached to a single driver port. In this case, the important thing to keep in mind is the maximum number of pixels per driver port. As long as this value is not exceeded, any combination of Pixie Strip 30s, 60s, and 120s may be used.

Your Pixie Driver 2000 is programmed not to allow Pixie Strip fixtures to be added in such a way that the maximum number of pixels per port would be exceeded. This is done by limiting the number of Pixie Strip units that can be selected in the System Menu based on what has already been set up on the unit.

If we look at the example from the previous page, where 34 Pixie Strip 30s have been set up on a single port in Kling-Net mode, the System Menu will not allow any further fixtures to be set up on that port, regardless of model. This is because 34 fixtures, times 30 pixels per fixture, uses up the port's entire capacity of 1020 pixels. If we then tried to set up an additional Pixie Strip 60, the System Menu would not allow any values other than "0" to be selected, because the port does not have the capacity to support the additional 60 pixels that would be required.

PIXELS IN USE		PIXELS FREE
34 x Pixie Strip 30	1020 pixels	1020 pixel capacity - 1020 pixels in use <hr/> <b>0 pixels free</b>
0 x Pixie Strip 60	0 pixels	
0 x Pixie Strip 120	0 pixels	
1020 total pixels in use		

In this case, we would first need to "make room" on this driver port by reducing the number of Pixie Strip 30s that are set up. If we reduce the number of Pixie Strip 30s by two units, we then free up 60 pixels on this driver port.

PIXELS IN USE		PIXELS FREE
32 x Pixie Strip 30	960 pixels	1020 pixel capacity - 960 pixels in use <hr/> <b>60 pixels free</b>
0 x Pixie Strip 60	0 pixels	
0 x Pixie Strip 120	0 pixels	
960 total pixels in use		

Now that we have freed up 60 pixels on this driver port, we are able to add the Pixie Strip 60, as desired. The System Menu now allows you to increase the number of Pixie Strip 60s on this driver port to 1, *but it will not allow you to increase the number any higher* because there are not enough pixels free to add more than 1 Pixie Strip 60. Notice, too, that the only selectable value for Pixie Strip 120s is "0" due to the fact that 60 free pixels is not enough to run a single Pixie Strip 120.

PIXELS IN USE		PIXELS FREE
32 x Pixie Strip 30	960 pixels	1020 pixel capacity - 1020 pixels in use <hr/> <b>0 pixels free</b>
1 x Pixie Strip 60	60 pixels	
0 x Pixie Strip 120	0 pixels	
1020 total pixels in use		

If you are having trouble adding the desired number of fixtures to a driver port, double check the number of fixtures of other Pixie Strip models that have been set up to see if they are using up all of the available pixel space on that port.

This feature gives the user the ability to adjust the RGB Pixel Control configuration of the device. Individual pixels may be controlled independently for finer control over the resolution of the device’s lighting display. Alternately, multiple individual pixels may be grouped together under a common set of control channels in order to reduce the number of required control channels. This also reduces the effective pixel count for each fixture, thereby allowing an increased number of fixtures to be operated off of the same driver port (see the **Driver Output Limitations** section). The downside to this is the reduced resolution of the lighting display.

For example, if the user is setting up a Pixie Strip 30 containing thirty (30) individual pixels, the finest level of control would be 30x1, which signifies 30 groups of 1 pixel each. In a 30x1 pixel control configuration, each of the 30 pixels is controlled independently, giving the lighting display a fine degree of resolution. However, each individual pixel requires 3 control channels (Red, Green, and Blue), and therefore 90 control channels are required to operate the device in this configuration, in addition to the need for the driver port to have free capacity to control at least 30 pixels.

If using fewer control channels or less driver port pixel capacity is desired, the user may opt for a different pixel control configuration, such as 15x2. This configuration separates the lighting display into 15 groups, each containing 2 individual pixels, with each group being controlled by a single set of control channels. Thus, the requirement for number of control channels is reduced to 45 (15 groups each requiring 3 control channels for Red, Green, and Blue). Moreover, each group of 2 pixels can now be treated effectively as a single large pixel, reducing the required driver port free pixel capacity to just 15 pixels. **This is particularly useful when operating in Art-Net or sACN mode, where each driver port can accommodate a relatively limited number of pixels**

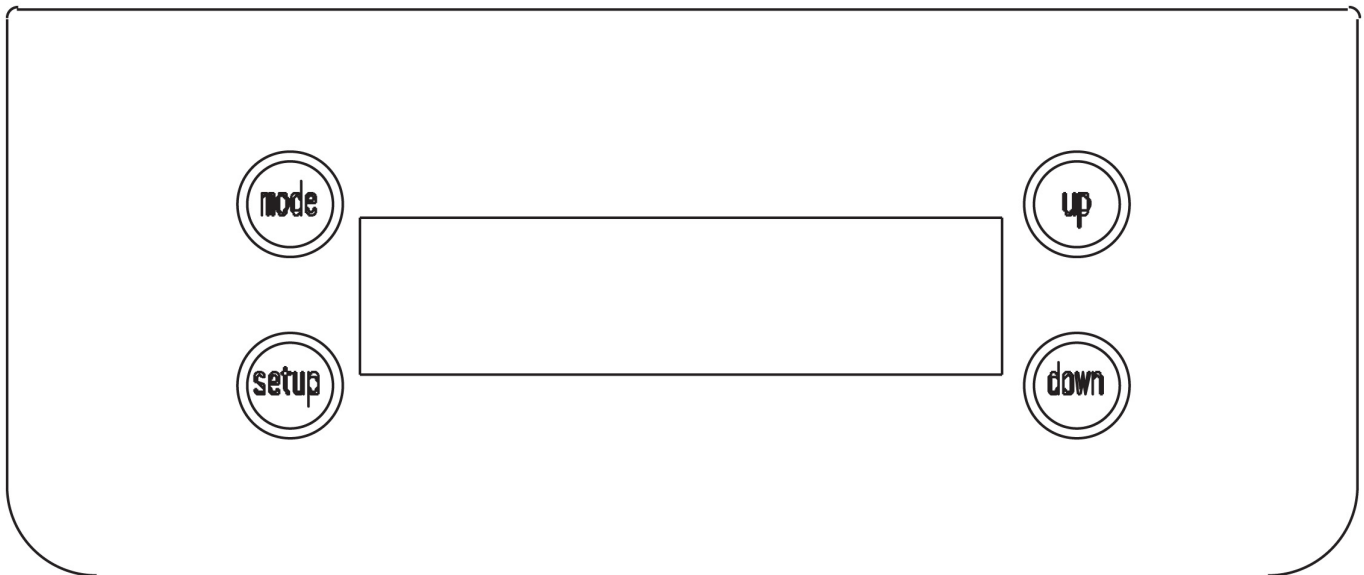
The available RGB pixel control configuration options for each Pixie Strip model are shown below:

<b>Pixie Strip 30</b>	<b>Pixie Strip 60</b>	<b>Pixie Strip 120</b>
2 x 15	2 x 30	2 x 60
3 x 10	3 x 20	3 x 40
5 x 6	4 x 15	4 x 30
6 x 5	5 x 12	5 x 24
10 x 3	6 x 10	6 x 20
15 x 2	10 x 6	8 x 15
30 x 1	12 x 5	10 x 12
	15 x 4	15 x 8
	20 x 3	20 x 6
	30 x 2	24 x 5
	60 x 1	30 x 4
		40 x 3
		60 x 2
		120 x 1

**SYSTEM MENU**

The device includes an easy to navigate system menu control panel display where all necessary settings and adjustments are made (see image below).

- The **MODE** button is used to cycle through main menu options, or to return to the previous menu.
- The **SETUP** button is used to select an option in either the main menu or the sub-menu of any main menu item, and to cycle through the sub-menu options.
- The **UP** and **DOWN** buttons are used to adjust the values of the sub-menu options.



<b>MANUAL MODE</b>	Red Dimmer		
	Green Dimmer		
	Blue Dimmer		
	Output Enable / Disable	Out1 Out2	Enable / Disable Enable / Disable
<b>KLINGNET MODE</b>	Pixie Strip Setup	Klingnet OutX Pixie Strip XXX	Out1 Pixie Strip 30
			Out1 Pixie Strip 60
			Out1 Pixie Strip 120
			Out2 Pixie Strip 30
			Out2 Pixie Strip 60
			Out2 Pixie Strip 120
	XX Number XXX	Pixie Strip 30: 0 - 34	
		Pixie Strip 60: 0 - 17	
		Pixie Strip 120: 0 - 8	
	RGB Pixel Control	<i>see section on <b>RGB Pixel Control</b> for details</i>	
<b>ARTNET MODE</b>	IP Address Set	IP Address Out 1	
		IP Address Out 2	
	Universe Set	Artnet Out 1	
		Artnet Out 2	
	Pixie Strip Setup	Artnet OutX Pixie Strip XXX	Out1 Pixie Strip 30
			Out1 Pixie Strip 60
			Out1 Pixie Strip 120
			Out2 Pixie Strip 30
Out2 Pixie Strip 60			
Out2 Pixie Strip 120			

CONTINUED ON NEXT PAGE

<b>ARTNET MODE</b> <i>(continued from prev page)</i>	Pixie Strip Setup <i>(continued from prev page)</i>	XX Number XXX	Pixie Strip 30: 0 - 34	
			Pixie Strip 60: 0 - 17	
			Pixie Strip 120: 0 - 8	
		RGB Pixel Control	<i>see section on <b>RGB Pixel Control</b> for details</i>	
<b>sACN CONTROL MODE</b>	Universe Output	sACN Universe 1		
		sACN Universe 2		
	Pixie Strip Setup	sACN OutX Pixie Strip XXX	Out1 Pixie Strip 30	
			Out1 Pixie Strip 60	
			Out1 Pixie Strip 120	
			Out2 Pixie Strip 30	
			Out2 Pixie Strip 60	
			Out2 Pixie Strip 120	
		XX Number XXX	Pixie Strip 30: 0 - 34	
			Pixie Strip 60: 0 - 17	
			Pixie Strip 120: 0 - 8	
		RGB Pixel Control	<i>see section on <b>RGB Pixel Control</b> for details</i>	
	<b>PROGRAMS</b>	Program Play	Program	
Speed				
Fade				
Phase Time				
Pixie Strip Setup		Program OutX Pixie Strip XXX	Out1 Pixie Strip 30	
			Out1 Pixie Strip 60	
			Out1 Pixie Strip 120	
			Out2 Pixie Strip 30	
			Out2 Pixie Strip 60	
			Out2 Pixie Strip 120	
<i>CONTINUED ON NEXT PAGE</i>				



<b>PROGRAMS</b> <i>(continued from prev page)</i>	Pixie Strip Setup (continued from prev page)	XX Number XXX	Pixie Strip 30: 0 - 34
			Pixie Strip 60: 0 - 17
			Pixie Strip 120: 0 - 8
		RGB Pixel Control	<i>see section on <b>RGB Pixel Control</b> for details</i>
<b>KLINGNET AND ARTNET MODE</b>	Enable / Disable		
	Klingnet Pixie Strip Setup	Klingnet OutX Pixie Strip XXX	Out1 Pixie Strip 30
			Out1 Pixie Strip 60
			Out1 Pixie Strip 120
			Out2 Pixie Strip 30
			Out2 Pixie Strip 60
			Out2 Pixie Strip 120
		XX Number XXX	Pixie Strip 30: 0 - 34
			Pixie Strip 60: 0 - 17
			Pixie Strip 120: 0 - 8
		RGB Pixel Control	<i>see section on <b>RGB Pixel Control</b> for details</i>
	Artnet IP Address Set	IP Address Output 1	
		IP Address Output 2	
	Artnet Universe Set	Artnet Out 1	
Artnet Out 2			
<b>SETUP OPTIONS</b>	LED Backlight	BLGT On	
		BLGT Off	
	LED Display Orientation	Display STD	
		Display REV	
System Reset			
<b>SOFTWARE VERSION</b>	Port1 V2.0		
	Port2 V2.0		

**MANUAL MODE**

1. Press the **MODE** button to cycle through the main menu until “Manual” is displayed on the screen.
2. Press the **SETUP** button to cycle through the Manual Mode sub-menu.
3. To adjust the color settings, use the **UP** and **DOWN** buttons to change the value of the color settings displayed on the screen.
4. To enable or disable one of the output ports, press the **SETUP** button again when “Out Enable/Disable” is displayed on the screen. Use the **UP** and **DOWN** buttons to toggle between the two options.

**KLINGNET MODE**

1. Press the **MODE** button to cycle through the main menu until “Klingnet” is displayed on the screen.
2. Press the **SETUP** button once to enter the Klingnet Mode sub-menu. The only available option is “Pixie Strip Setup.” Press the **SETUP** button again to proceed.
3. To configure the Pixie Strip type and number, press the **SETUP** button when “Pixie Strip Setup” is displayed on the screen. “Klingnet OutX Pixie Strip XXX” will now be displayed on the screen, with OutX denoting which output (1 or 2) is selected and Pixie Strip XXX denoting which Pixie Strip model is assigned to each output. Use the **UP** and **DOWN** buttons to define which Pixie Strip model (30, 60, or 120) will be assigned to each output channel. Press the **SETUP** button to proceed.
4. “Klingnet OutX Number: XX” will now be displayed on the screen. Use the **UP** and **DOWN** buttons to define the number of Pixie Strip units that will be connected to the selected output. Press the **SETUP** button to proceed.
5. Use the **UP** and **DOWN** buttons to toggle through the available RGB Pixel Control configurations. Press the **SETUP** button to accept. Repeat steps 3 through 5 to define these values for the other output, if desired.

**ARTNET MODE**

1. Press the **MODE** button to cycle through the main menu until “Artnet” is displayed on the screen.
2. Press the **SETUP** button once to enter the Artnet Mode sub-menu. Cycle through the available options in this sub-menu with the **UP** and **DOWN** buttons.
3. To set up the IP address, press the **SETUP** button when “Artnet IP Address Setup” is displayed on the screen. Toggle to the desired output (1 or 2) using the **UP** and **DOWN** buttons, and press **SETUP** to select the desired output.
4. Use the **UP** and **DOWN** buttons to define each segment of the IP address, and press the **SETUP** button to confirm and continue to the next IP address segment.
5. To set up the Artnet universe, press the **SETUP** button when “Artnet Universe Setup” is displayed on the screen. Toggle to the desired output (1 or 2) using the **UP** and **DOWN** buttons, and press the **SETUP** button to select the desired output.
6. Use the **UP** and **DOWN** buttons to define the universe for selected output, and press the **SETUP** button to confirm. Repeat the process for both outputs, if desired.
7. To configure the Pixie Strip type and number, press the **SETUP** button when “Pixie Strip Setup” is displayed on the screen. “Artnet OutX Pixie Strip XXX” will now be displayed on the screen, with OutX denoting which output (1 or 2) is selected and Pixie Strip XXX denoting which Pixie Strip model is assigned to each output. Use the **UP** and **DOWN** buttons to define which Pixie Strip model (30, 60, or 120) will be assigned to each output channel. Press the **SETUP** button to proceed.
8. “Artnet OutX Number: XX” will now be displayed on the screen. Use the **UP** and **DOWN** buttons to define the number of Pixie Strip units that will be connected to the selected output. Press the **SETUP** button to proceed.
9. Use the **UP** and **DOWN** buttons to toggle through the available RGB Pixel Control configurations. Press the **SETUP** button to accept. Repeat steps 7 through 9 to define these values for the other output, if desired.

**sACN CONTROL MODE**

1. Press the **MODE** button to cycle through the main menu until “sACN” is displayed on the screen.
2. Press the **SETUP** button to enter the sACN Control sub-menu. Cycle through the available options in the sub-menu using the **UP** and **DOWN** buttons.
3. To set up the sACN Universe, press the **SETUP** button when “sACN Universe Setup” is displayed on the screen. Toggle to the desired output (1 or 2) using the **UP** and **DOWN** buttons, and press the **SETUP** button to select the desired output.
4. Use the **UP** and **DOWN** buttons to define the universe for the selected output, then press the **SETUP** button to confirm. Repeat the process for both outputs, if desired.
5. To configure the Pixie Strip type and number, press the **SETUP** button when “Pixie Strip Setup” is displayed on the screen. “sACN OutX Pixie Strip XXX” will now be displayed on the screen, with OutX denoting which output (1 or 2) is selected and Pixie Strip XXX denoting which Pixie Strip model is assigned to each output. Use the **UP** and **DOWN** buttons to define which Pixie Strip model (30, 60, or 120) will be assigned to each output channel. Press the **SETUP** button to proceed.
6. “sACN OutX Number: XX” will now be displayed on the screen. Use the **UP** and **DOWN** buttons to define the number of Pixie Strip units that will be connected to the selected output. Press the **SETUP** button to proceed.
7. Use the **UP** and **DOWN** buttons to toggle through the available RGB Pixel Control configurations. Press the **SETUP** button to accept. Repeat steps 5 through 7 to define these values for the other output, if desired.

**PROGRAMS MODE**

1. Press the **MODE** button to cycle through the main menu until “Programs” is displayed on the screen.
2. Press the **SETUP** button to enter the Programs sub-menu. Cycle through the available options in the sub-menu using the **UP** and **DOWN** buttons.
3. To configure the Pixie Strip type and number, press the **SETUP** button when “Pixie Strip Setup” is displayed on the screen. “Programs Out1 Pixie Strip XXX” or “Programs Out2 Pixie Strip XXX” will now be displayed on the screen, depending on which output is selected. Use the **UP** and **DOWN** buttons to define which Pixie Strip model (30, 60, or 120) will be assigned to output channel 1. Press the **SETUP** button to proceed.
4. “Programs OutX Number: XX” will now be displayed on the screen. Use the **UP** and **DOWN** buttons to define the number of Pixie Strip units that will be connected to the selected output. Press the **SETUP** button to proceed.
5. Use the **UP** and **DOWN** buttons to toggle through the available RGB Pixel Control configurations. Press the **SETUP** button to accept. Repeat steps 5 through 7 to define these values for the other output, if desired.
6. To set up the program configurations, return to the Programs sub-menu and press the **UP** and **DOWN** buttons until “Programs Program Play” is displayed on the screen. Press the **SETUP** button to select this option from the sub-menu.
7. Use the **UP** and **DOWN** buttons to scroll through the following options:
  - *Program*: Allows the user to select from a number of built-in programs.
  - *Speed*: Allows the user to adjust the program speed.
  - *Fade*: Allows the user to adjust the fade time speed. In this mode, the display changes gradually from one color to the next.
  - *Phase*: Allows the user to adjust the phase speed. In this mode, the display changes more sharply from one color to the next.
8. Press the **SETUP** button to select the option shown on the screen, and then use the **UP** and **DOWN** buttons to adjust the value.

**KLINGNET & ARTNET MODE**

1. Press the **MODE** button to cycle through the main menu until “Klingnet & Artnet” is displayed on the screen.
2. Press the **SETUP** button to enter the Klingnet & Artnet Mode sub-menu. Cycle through the available options in the sub-menu using the **UP** and **DOWN** buttons.
3. To enable or disable this operation mode, press the **SETUP** button when “Klingnet & Artnet: Enable/Disable” is shown on the screen. Use the **UP** and **DOWN** buttons to toggle between the two options.
4. To configure the Pixie Strip type and number, press the **SETUP** button when “Pixie Strip Setup” is displayed on the screen. “Klingnet OutX Pixie Strip XXX” will now be displayed on the screen, with OutX denoting which output (1 or 2) is selected and Pixie Strip XXX denoting which Pixie Strip model is assigned to each output. Use the **UP** and **DOWN** buttons to define which Pixie Strip model (30, 60, or 120) will be assigned to each output channel. Press the **SETUP** button to proceed.
5. “Klingnet OutX Number: XX” will now be displayed on the screen. Use the **UP** and **DOWN** buttons to define the number of Pixie Strip units that will be connected to the selected output. Press the **SETUP** button to proceed.
6. Use the **UP** and **DOWN** buttons to toggle through the available RGB Pixel Control configurations. Press the **SETUP** button to accept. Repeat steps 4 through 6 to define these values for the other output, if desired.
7. To set up the IP address, return to the Klingnet & Artnet Mode sub-menu and use the **UP** and **DOWN** buttons to scroll through the available options. Press the **SETUP** button when “Artnet IP Address Setup” is displayed on the screen.
8. Toggle to the desired output (1 or 2) using the **UP** and **DOWN** buttons, and press **SETUP** to select the desired output.
9. Use the **UP** and **DOWN** buttons to define each segment of the IP address, and press the **SETUP** button to confirm and continue to the next IP address segment.
10. To set up the Artnet universe, return to the Klingnet & Artnet Mode sub-menu and use the **UP** and **DOWN** buttons to scroll through the available options. Press the **SETUP** button when “Artnet Universe Setup” is displayed on the screen.
11. Toggle to the desired output (1 or 2) using the **UP** and **DOWN** buttons, and press the **SETUP** button to select the desired output.
12. Use the **UP** and **DOWN** buttons to define the universe for selected output. Repeat the process for both outputs, if desired.

**SETUP OPTIONS**

1. Press the **MODE** button to cycle through the main menu until “Setup Options” is displayed on the screen.
2. Press the **SETUP** button to enter the Setup Options sub-menu. Cycle through the available options in the sub-menu using the **UP** and **DOWN** buttons.
3. Use the **UP** and **DOWN** buttons to scroll through the following options:
  - *Backlight:* Use the **UP** and **DOWN** buttons to toggle between ON and OFF. ON keeps the display screen backlight on at all times, while OFF turns the display screen backlight off after 20 seconds of inactivity.
  - *Display Reverse:* Use the **UP** and **DOWN** buttons to toggle between STD and REV. STD keeps the display screen readout in the default position, while REV inverts the display screen readout.
  - *System Reset:* When the display screen flickers, press and hold both the **UP** and **DOWN** buttons.

**SOFTWARE VERSION**

1. Press the **MODE** button to cycle through the main menu until “Software Version” is displayed on the screen.
2. Use the **UP** and **DOWN** menu to toggle between Port1 and Port2 to see the software revision number that is used for each outlet port.

**MANUFACTURER'S LIMITED WARRANTY**

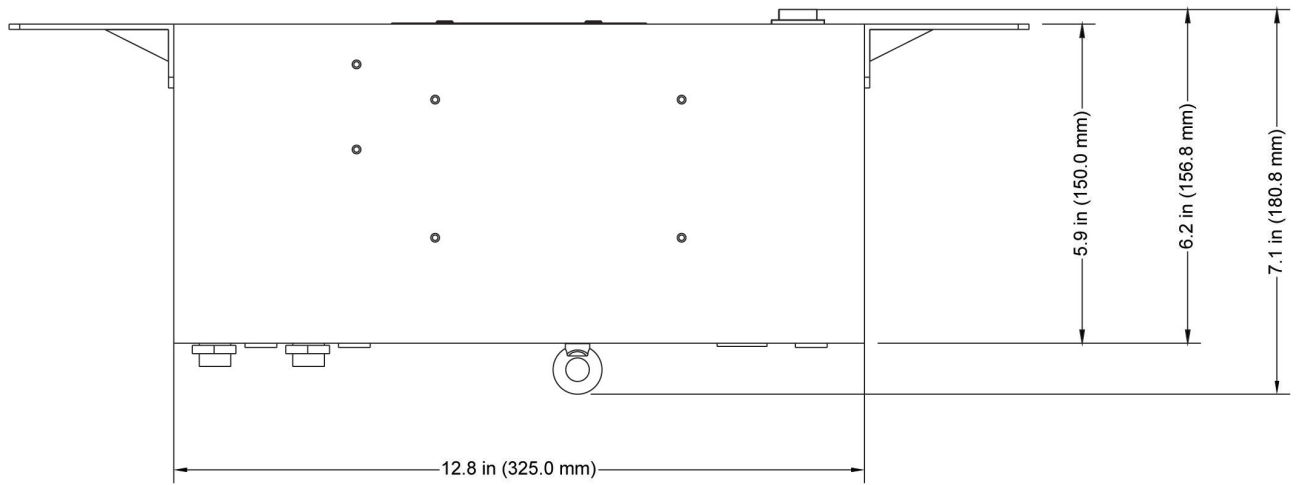
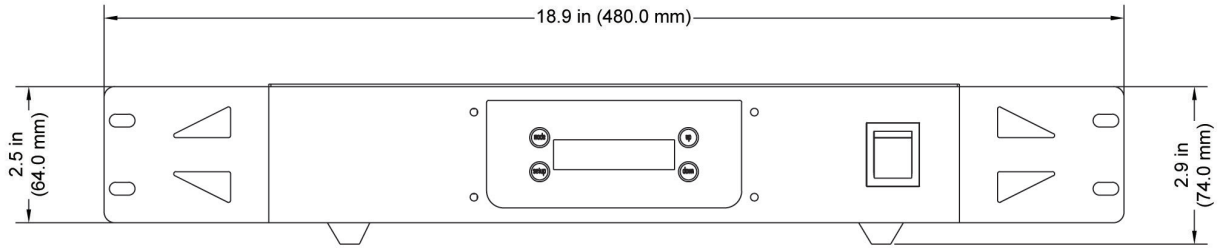
- A. ADJ Products, LLC hereby warrants, to the original purchaser, ADJ Products, LLC products to be free of manufacturing defects in material and workmanship for a prescribed period from the date of purchase (see specific warranty period on reverse). This warranty shall be valid only if the product is purchased within the United States of America, including possessions and territories. It is the owner's responsibility to establish the date and place of purchase by acceptable evidence, at the time service is sought.
- B. For warranty service you must obtain a Return Authorization number (RA#) before sending back the product—please contact ADJ Products, LLC Service Department at 800-322-6337. Send the product only to the ADJ Products, LLC factory. All shipping charges must be pre-paid. If the requested repairs or service (including parts replacement) are within the terms of this warranty, ADJ Products, LLC will pay return shipping charges only to a designated point within the United States. If the entire instrument is sent, it must be shipped in its original package. No accessories should be shipped with the product. If any accessories are shipped with the product, ADJ Products, LLC shall have no liability whatsoever for loss of or damage to any such accessories, nor for the safe return thereof.
- C. This warranty is void if the serial number has been altered or removed; if the product is modified in any manner which ADJ Products, LLC concludes, after inspection, affects the reliability of the product; if the product has been repaired or serviced by anyone other than the ADJ Products, LLC factory unless prior written authorization was issued to purchaser by ADJ Products, LLC; if the product is damaged because not properly maintained as set forth in the instruction manual.
- D. This is not a service contract, and this warranty does not include maintenance, cleaning or periodic check up. During the period specified above, ADJ Products, LLC will replace defective parts at its expense with new or refurbished parts, and will absorb all expenses for warranty service and repair labor by reason of defects in material or workmanship. The sole responsibility of ADJ Products, LLC under this warranty shall be limited to the repair of the product, or replacement thereof, including parts, at the sole discretion of ADJ Products, LLC. All products covered by this warranty were manufactured after August 15, 2012, and bear indentifying marks to that effect.
- E. ADJ Products, LLC reserves the right to make changes in design and/or improvements upon its products without any obligation to include these changes in any products theretofore manufactured.

No warranty, whether expressed or implied, is given or made with respect to any accessory supplied with products described above. Except to the extent prohibited by applicable law, all implied warranties made by ADJ Products, LLC in connection with this product, including warranties of merchantability or fitness, are limited in duration to the warranty period set forth above. And no warranties, whether expressed or implied, including warranties of merchantability or fitness, shall apply to this product after said period has expired. The consumer's and/or Dealer's sole remedy shall be such repair or replacement as is expressly provided above; and under no circumstances shall ADJ Products, LLC be liable for any loss or damage, direct or consequential, arising out of the use of, or inability to use, this product.

This warranty is the only written warranty applicable to ADJ Products, LLC Products and supersedes all prior warranties and written descriptions of warranty terms and conditions heretofore published.

**MANUFACTURER'S LIMITED WARRANTY PERIODS:**

- **Non L.E.D. Lighting Products = 1-year (365 days) Limited Warranty** (Such as: Special Effect Lighting, Intelligent Lighting, UV lighting, Strobes, Fog Machines, Bubble Machines, Mirror Balls, Par Cans, Trussing, Lighting Stands etc. excluding LED and lamps)
- **Laser Products = 1 Year (365 Days) Limited Warranty** (excluding laser diodes which have a 6 month limited warranty)
- **L.E.D. Products = 2-year (730 days) Limited Warranty** (excluding batteries which have a 180 day limited warranty).  
**Note: 2 Year Warranty only applies to purchases within the United States.**
- **StarTec Series = 1 Year Limited Warranty** (excluding batteries which have a 180 day limited warranty).
- **ADJ DMX Controllers = 2 Year (730 Days) Limited Warranty**



**Dimensions may not be drawn to scale.**



**Control Features:**

- Power/data supply for ADJ Lighting Pixie Strip 30, Pixie Strip 60, and Pixie Strip 120
- Manual RGB mode
- Internal programs
- Manual dimming and strobe control
- Full pixel mapping control
- 2,040 pixels via Kling-Net
- 340 pixels via Art-Net and sACN (streaming ACN)
- OLED screen with 4-button menu

**Control Quantity:**

- KlingNet: 34 Pixie Strip 30; 17 Pixie Strip 60; 8 Pixie Strip 120
- ArtNet: 170 pixels max each port
- sACN: 170 pixels max each port

**Connections:**

- Power: PowerLock Input
- Two KlingNet / ArtNet ethernet ports
- Two 4-pin DC24V power/data outputs to Pixie Strips

**Mounting Options:**

- Bolt to add a clamp to hang from truss (clamp and truss not included)
- Includes 19-inch rack mount ears
- Safety eye

**Electrical:**

- Multi-voltage operation: AC 110-240V, 50/60 Hz
- Power consumption: 400W max
- -4 degrees F to 113 degrees F (-20 degrees C to 45 degrees C)

**Dimensions / Weight:**

- Dimensions (LxWxH): 18.9" x 7.11" x 2.91" / 480mm x 180.8mm x 74mm
- Weight: 5.6 lbs / 2.5 kg

**What's Included:**

- PowerLock power cable
- 19-inch rack mount ears
- 4-pin data cable

**Approvals:**

CE | cETLus

**Accessories:**

- PSLC1 (PIX158): 1-foot Pixie Strip Link Cable
- PSLC3 (PIX174): 3-foot Pixie Strip Link Cable
- PSLC5 (PIX188): 5-foot Pixie Strip Link Cable
- PSLC10 (PIX200): 10-foot Pixie Strip Link Cable
- PSLC15 (PIX213): 15-foot Pixie Strip Link Cable
- PSLC25 (PIX229): 25-foot Pixie Strip Link Cable
- PSLC50 (PIX242): 50-foot Pixie Strip Link Cable

**Please Note:** Specifications and improvements in the design of this unit and this manual are subject to change without any prior written notice.

<b>Order Code</b>	<b>Description</b>
PIX158	1-foot Pixie Strip Link Cable
PIX174	3-foot Pixie Strip Link Cable
PIX188	5-foot Pixie Strip Link Cable
PIX200	10-foot Pixie Strip Link Cable
PIX213	15-foot Pixie Strip Link Cable
PIX229	25-foot Pixie Strip Link Cable
PIX242	50-foot Pixie Strip Link Cable





