

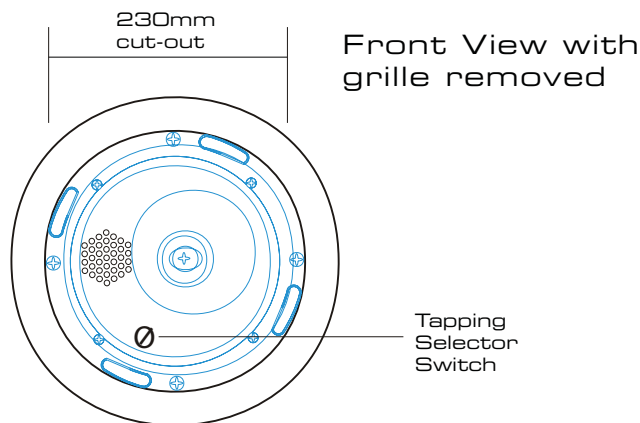
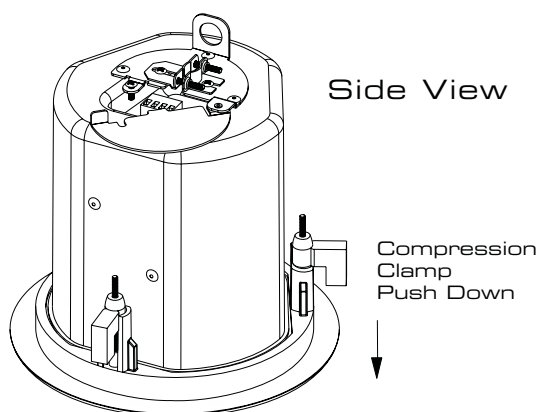
PRO-SOUND CEILING LOUDSPEAKERS

- **CCS6**
- **CCS6/T**

INSTALLATION INSTRUCTIONS

➤ STEP 1

Cut a hole in the ceiling 230mm diameter.



➤ STEP 2

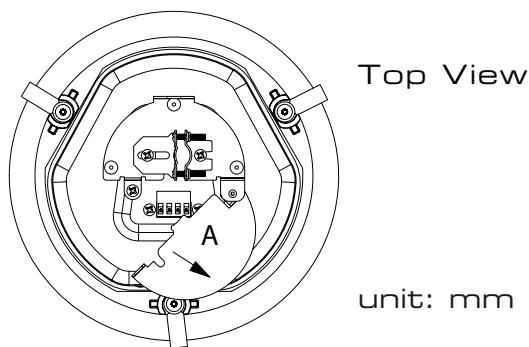
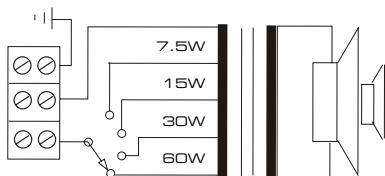
Remove back lid of the unit (cable gland end) and connect input cable to the ceramic terminal block through the cable gland provided.

➤ STEP 3

Once the grille has been removed connect the 100 volt line input cable via the terminal block secured under the rotating cover shown below "A". To select the required wattage output use the tapping selector switch shown in the above drawing.

This unit is also available in low impedance (16 ohms) Model CCS6 and will be connected as above (the unit will be manufactured minus the 100 volt line transformer).

CCS6/T Circuit diagram 100V Common



➤ STEP 4

The loudspeaker is ready to be pushed up into the cutout prepared earlier.

Ensure that all compression clamps are fully extended to allow for the ceiling thickness.

Once the loudspeaker is in position use a cross headed screwdriver and turning it in a clockwise motion you will observe that the clamps will pull down and lock the loudspeaker into position.

➤ STEP 5

On mounting the speaker replace the snap fit grille.



Penton UK Ltd

Unit 2 Teville Industrials | Dominion Way | Worthing | West Sussex | BN14 8NW
T: +44 (0)1903 215315 | F: +44(0)1903 215415 | E: sales@pentonuk.co.uk

www.pentonuk.co.uk

NOVEMBER 2011



RoHS

