

Technical Manual



JBL C65P/T-WH

SPECIFICATIONS

ACOUSTIC & ELECTRICAL SPECIFICATIONS:

- Rated Impedance: 8 Ohms
- Power Capacity: 150W Continuous Program Power
75 W Continuous Pink Noise
(with 300W peaks)
- Frequency Response: 55 Hz - 20 kHz (-10 dB)
- Frequency Range: 78 Hz - 18 kHz (±3 dB)
- Rated Maximum SPL: 105 dB continuous pink noise, 116 dB peak
- Nominal Sensitivity: 86 dB
- Crossover Frequency: 1.8 kHz

SYSTEM COMPONENTS:

- Cabinet: (Enclosure) Not for Sale
- Grille: 444996-001, 444996-002
- Low Frequency Driver: 130 mm (5 1/4 in) with polypropylene-coated paper with pure butyl rubber surround, 25 mm (1 in) copper voice coil, vented fiberglass resin voice coil former
- DC Resistance: ?? ohms ?? 5%
- High Frequency Driver: 20 mm (3/4 in) textile soft-dome, neodymium magnet assembly, ferro-fulid

SYSTEM COMPONENTS: (CONT'D)

- former
- DC Resistance: 6.0 ohms
- Crossover Network Assembly: 445018-001

AURAL SWEEP TEST SPECIFICATIONS:

- A. System Aural Sweep Test: 5V Input, 60 Hz - 20 kHz
- B. L.F. Aural Sweep Test: 8V Input, 20 Hz - 20 kHz
- C. HF Aural Sweep Test: 8V Input, 100 Hz - 20 kHz

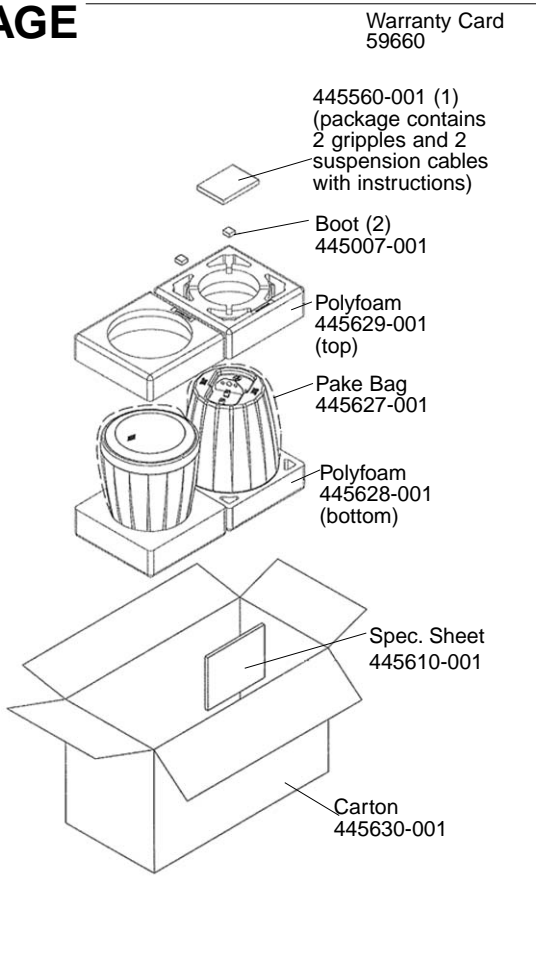
PHYSICAL SPECIFICATIONS:

- Enclosure Dimensions: 234 mm (9.3 in) diameter x 259 mm (10.2 in) height to top of cabinet.
279 mm (11.0 in) to top of suspension bracket
- Net Weight: 8 lb (3.7 kg)

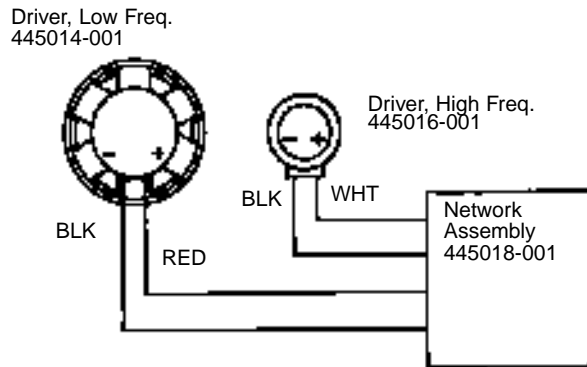
WARRANTY INFORMATION:

- Refer to Warranty Statement packed with each product.
- Transformer Taps: 70V: 60W, 30W, 15W, & 7.5W
100V: 60W, 30W, 15W

PACKAGE



WIRING DIAGRAM



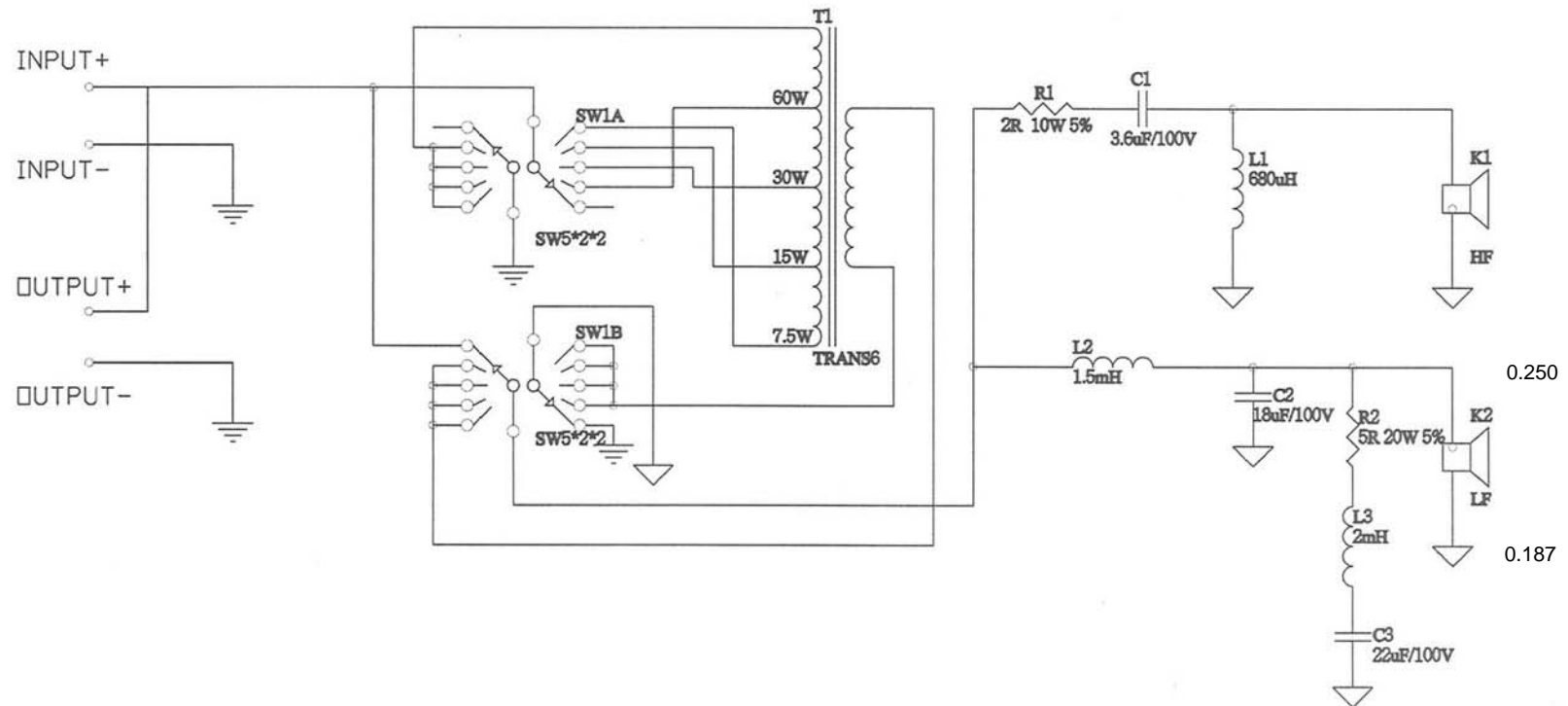
SEE NETWORK SCHEMATIC PAGE

NOTE: INDIVIDUAL PARTS FOR THE ABOVE CROSSOVER ARE NOT AVAILABLE. A COMPLETE REPLACEMENT ASSEMBLY SHOULD BE ORDERED.

JBL C65P/T-WH REV D

JBL C65P/T-WH

SCHEMATIC (445018-001)

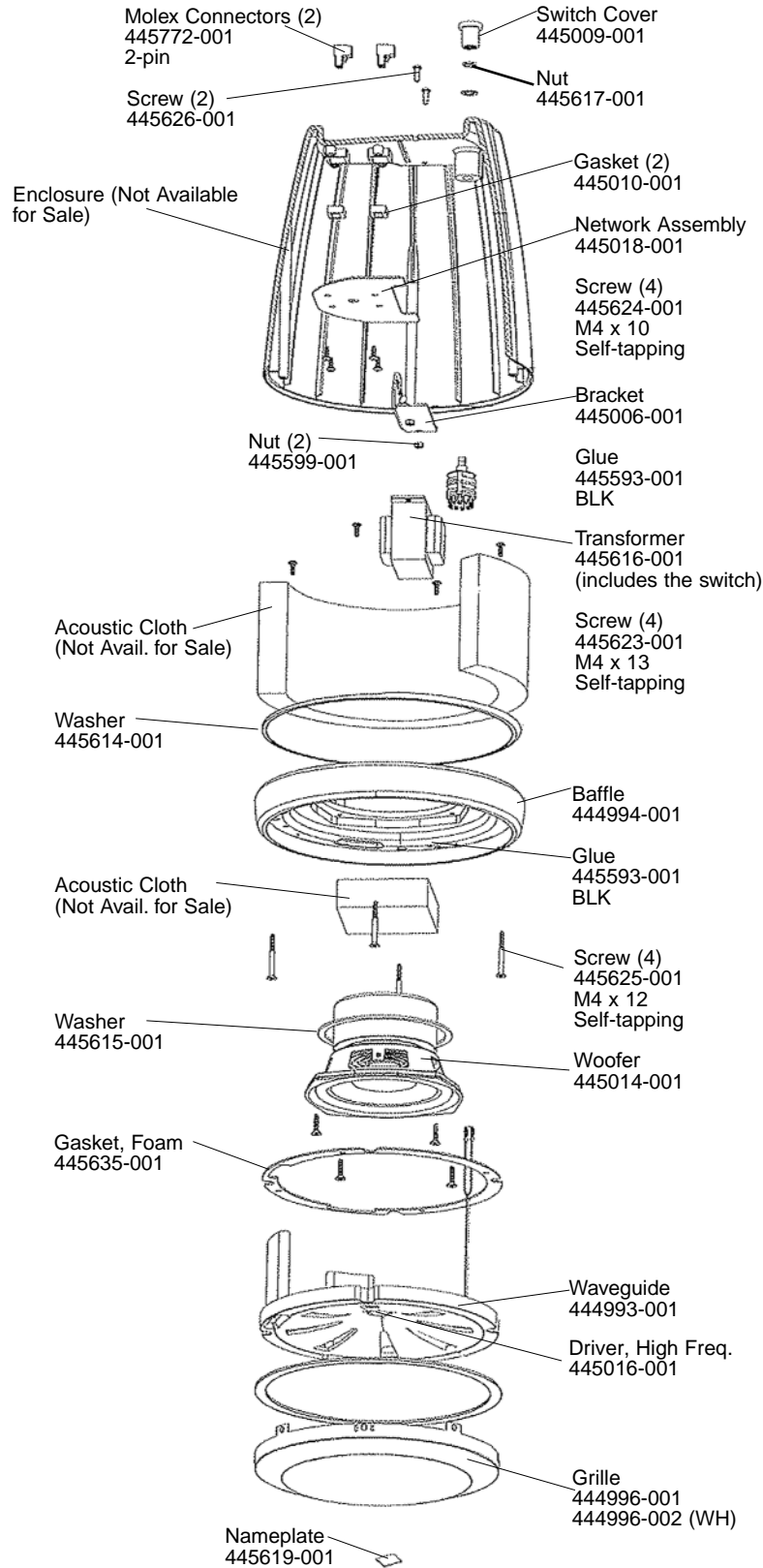


Individual Parts for the above crossover are not available.
A complete replacement assembly should be ordered.

JBL C65P/T-WH

JBL C65P/T-WH

COMPONENT EXPLODED VIEW



JBL C65P/T-WH