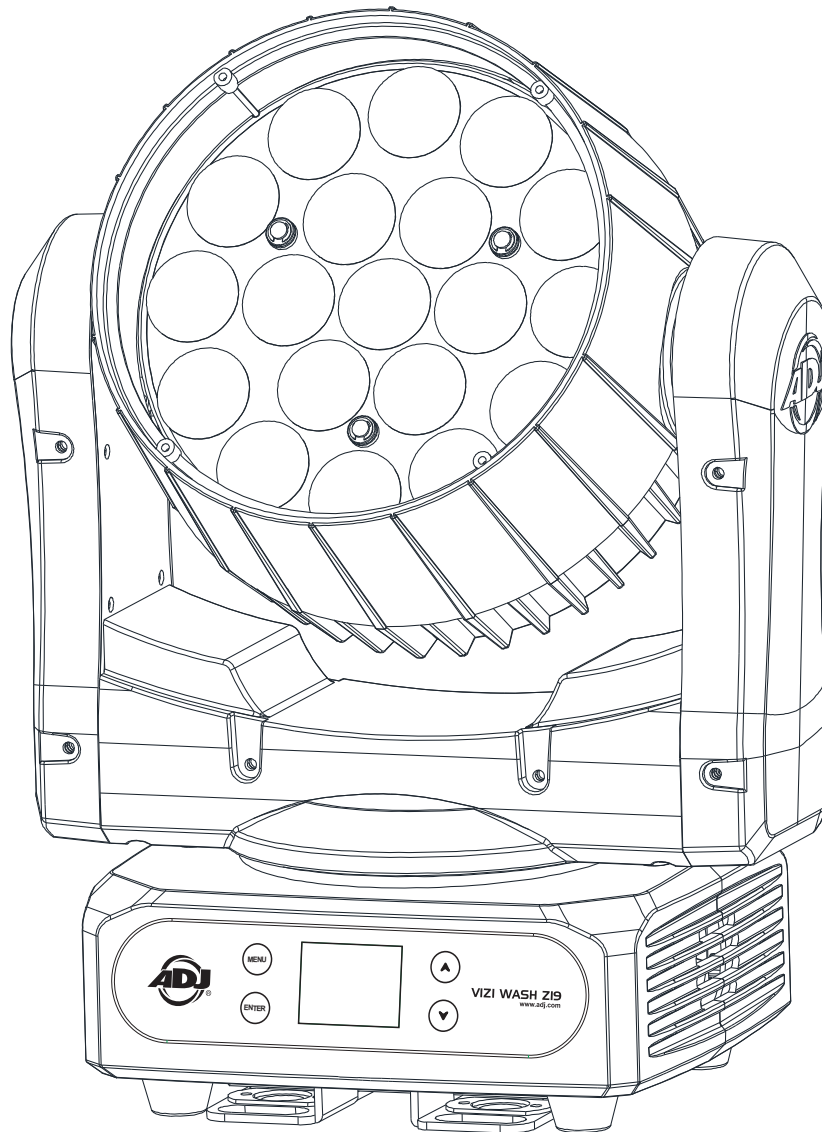




VIZI WASH Z19



User Instructions

©2020 ADJ Products, LLC all rights reserved. Information, specifications, diagrams, images, and instructions herein are subject to change without notice. ADJ Products, LLC logo and identifying product names and numbers herein are trademarks of ADJ Products, LLC. Copyright protection claimed includes all forms and matters of copyrightable materials and information now allowed by statutory or judicial law or hereinafter granted. Product names used in this document may be trademarks or registered trademarks of their respective companies and are hereby acknowledged. All non-ADJ Products, LLC brands and product names are trademarks or registered trademarks of their respective companies.

ADJ Products, LLC and all affiliated companies hereby disclaim any and all liabilities for property, equipment, building, and electrical damages, injuries to any persons, and direct or indirect economic loss associated with the use or reliance of any information contained within this document, and/or as a result of the improper, unsafe, insufficient and negligent assembly, installation, rigging, and operation of this product.

FCC STATEMENT

This device complies with Part 15 of the FCC Rules. Operation is subject to the following two conditions: (1) this device may not cause harmful interference, and (2) this device must accept any interference received, including interference that may cause undesired operation.

FCC RADIO FREQUENCY INTERFERENCE WARNINGS & INSTRUCTIONS

This product has been tested and found to comply with the limits as per Part 15 of the FCC Rules. These limits are designed to provide reasonable protection against harmful interference in a residential installation. This device uses and can radiate radio frequency energy and, if not installed and used in accordance with the included instructions, may cause harmful interference to radio communications. However, there is no guarantee that interference will not occur in a particular installation. If this device does cause harmful interference to radio or television reception, which can be determined by turning the device off and on, the user is encouraged to try to correct the interference by one or more of the following methods:

- Reorient or relocate the device.
- Increase the separation between the device and the receiver.
- Connect the device to an electrical outlet on a circuit different from which the radio receiver is connected.
- Consult the dealer or an experienced radio/TV technician for help.

DOCUMENT VERSION

Due to additional product features and/or enhancements, an updated version of this document may be available online.

Please check www.adj.com for the latest revision/update of this manual before beginning installation and/or programming.

Date	Document Version	Software Version \geq	DMX Channel Mode	Notes
07/23/19	1	1.2	12/16/28/44	Initial Version
01/15/20	1.2	1.6	13/14/17/29/45	DMX Channel Modes Updated

Europe Energy Saving Notice

Energy Saving Matters (EuP 2009/125/EC)

Saving electric energy is a key to help protecting the environment. Please turn off all electrical products when they are not in use. To avoid power consumption in idle mode, disconnect all electrical equipment from power when not in use. Thank you!

Introduction	3
Features Warranty Registration	4
Safety Guidelines	5
External Light Exposure	6
Installation	7
Overview	10
DMX Set Up	11
DMX Addressing	12
DMX Channel Modes (Software Version 1.2)	13
DMX Channel Modes (Software Version 1.6)	16
Color Macro Chart	20
System Menu	22
Pixel Zone Layout	29
Target Modes	30
Error Codes	31
Dimmer Curve Chart	32
Dimensional Drawings	33
Power Linking Trouble Shooting Cleaning	34
Limited Warranty (USA Only)	35
Technical Specifications	36

Unpacking: Thank you for purchasing the Vizi Wash Z19 by ADJ Products, LLC. Every Vizi Wash Z19 has been thoroughly tested and has been shipped in perfect operating condition. Carefully check the shipping carton for damage that may have occurred during shipping. If the carton appears to be damaged, carefully inspect your fixture for any damage and be sure all accessories necessary to operate the unit has arrived intact. In the case damage has been found or parts are missing, please contact our toll free customer support number for further instructions. Do not return this unit to your dealer without first contacting customer support.

Introduction: The ADJ Vizi Wash Z19 is a DMX intelligent, high powered, moving head fixture. To optimize the performance of this product, please read these operating instructions carefully to familiarize yourself with the basic operations of this unit. ***This product is intended to be used by professionally trained personnel only and is not suitable for private use.***

These instructions contain important safety information regarding the use and maintenance of this unit. Please keep this manual with the unit, for future reference.

Customer Support: Contact ADJ Service for any product related service and support needs. Also visit forums.adj.com with questions, comments or suggestions.

Parts: To purchase parts online visit:
<http://parts.americandj.com> (US)
<http://www.adjparts.eu> (EU)

ADJ SERVICE USA - Monday - Friday 8:00am to 4:30pm PST
Voice: 800-322-6337 | Fax: 323-582-2941 | support@adj.com

ADJ SERVICE EUROPE - Monday - Friday 08:30 to 17:00 CET
Voice: +31 45 546 85 60 | Fax: +31 45 546 85 96 | support@adj.eu

ADJ PRODUCTS LLC USA

6122 S. Eastern Ave. Los Angeles, CA. 90040
323-582-2650 | Fax 323-532-2941 | www.adj.com | info@adj.com

ADJ SUPPLY Europe B.V

Junostraat 2 6468 EW Kerkrade, The Netherlands
+31 (0)45 546 85 00 | Fax +31 45 546 85 99
www.adj.eu | info@adj.eu

ADJ PRODUCTS GROUP Mexico

AV Santa Ana 30 Parque Industrial Lerma, Lerma, Mexico 52000
+52 (728) 282-7070

Caution! There are no user serviceable parts inside this unit. Do not attempt any repairs yourself, doing so will void your manufactures warranty. In the unlikely event your unit may require service please contact ADJ Products, LLC.

PLEASE recycle the shipping carton when ever possible.

- Electronic Dimming 0-100%
- DMX-512 protocol
- Multiple DMX Channel Modes
- Locking 3-Pin and 5-Pin XLR Connectors In/Out
- 3 and 7 Pixel Zone Ring Control (28 Channel Mode & 44 Channel Mode V1.2)
(29 Channel Mode & 45 Channel Mode V1.6)
- Gamma Brightness Adjustment
- Pan/Tilt Target Mode
- Zoom
- 6 Dimmer Curves With Dimmer Adjustment Speed
- Multiple Unit Power Linking (See page 34)

Included:

1 x Locking Power Cable

2 x Omega Brackets

The Vizi Wash Z19 carries a 2 year limited warranty. Please fill out the enclosed warranty card to validate your purchase. All returned service items whether under warranty or not, must be freight pre-paid and accompany a return authorization (R.A.) number. The R.A. number must be clearly written on the outside of the return package. A brief description of the problem as well as the R.A. number must also be written down on a piece of paper included in the shipping carton. If the unit is under warranty, you must provide a copy of your proof of purchase invoice. You may obtain a R.A. number by contacting our customer support team on our customer support number. All packages returned to the service department not displaying a R.A. number on the outside of the package will be returned to the shipper.

- **DO NOT TOUCH** the fixture housing during operation. Turn OFF the power and allow approximately 15 minutes for the fixture to cool down before servicing.
- **DO NOT** shake the fixture, avoid brute force when installing and/or operating the fixture.
- **DO NOT** operate the fixture if the power cord has become frayed, crimped and/or damaged. If the power cord is damaged, replace immediately with a new one of similar power rating.
- **DO NOT** Do not attempt to remove or break off the ground prong from the electrical cord. This prong is used to reduce the risk of electrical shock and fire in case of an internal short.
- **DO NOT** attempt to operate this unit, if it becomes damaged.
- **DO NOT** spill water or other liquids into or on to your unit.
- This unit is intended for indoor use only, use of this product outdoors voids all warranties.
- To reduce the risk of electrical shock or fire, do not expose this unit rain or moisture
- Disconnect from main power before making any type of connection.
- **DO NOT** block any air ventilation slots. All fan and air inlets must remain clean and never blocked. Allow approx. 6" (15cm) between fixture and other devices or a wall for proper cooling.
- Always be sure to mount this unit in an area that will allow proper ventilation. Allow about 6" (15cm) between this device and a wall.
- During the initial operation of this fixture, a light smoke or smell may emit from the interior of the fixture. This is a normal process and is caused by excess paint in the interior of the casing burning off from the heat. This will decrease gradually over time.
- **DO NOT** remove the cover under any conditions. There are no user serviceable parts inside.
- When installing fixture in a suspended environment, always use mounting hardware that is no less than M10 x 25mm, and always install fixture with an appropriately rated safety cable.
- Never operate this unit when it's cover is removed.
- Never plug this unit in to a dimmer pack
- During long periods of non-use, disconnect the unit's main power.
- Always mount this unit in safe and stable matter.
- Power-supply cords should be routed so that they are not likely to be walked on or pinched by items placed upon or against them, paying particular attention to the point they exit from the unit.
- Cleaning -The fixture should be cleaned only as recommended by the manufacturer. See page 34 for cleaning details.
- Heat -The appliance should be situated away from heat sources such as radiators, heat registers, stoves, or other appliances (including amplifiers) that produce heat.
- The fixture should be serviced by qualified service personnel when:
 - A. The power-supply cord or the plug has been damaged.
 - B. Objects have fallen, or liquid has been spilled into the fixture.
 - C. The fixture has been exposed to rain or water.
 - D. The fixture does not appear to operate normally or exhibits a marked change in performance.
 - E. The fixture has fallen and/or subjected to extreme handling.

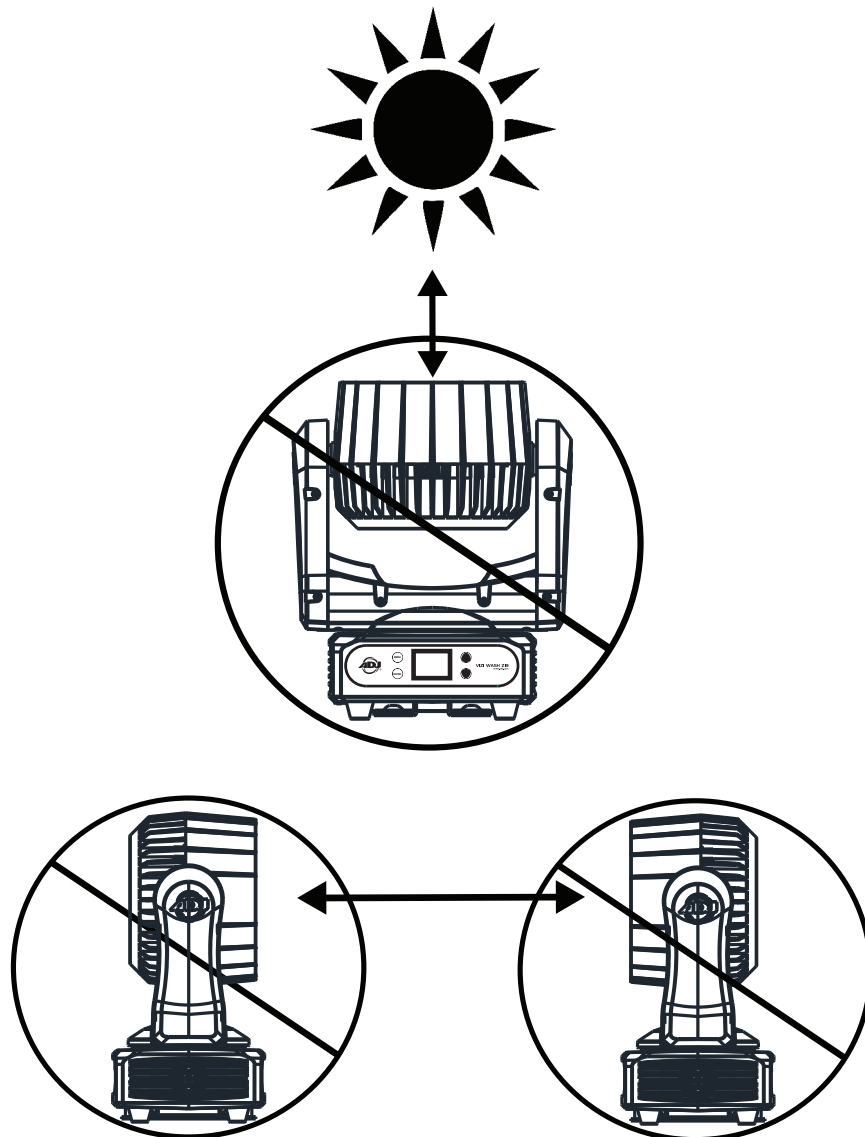
POTENTIAL INTERNAL FIXTURE DAMAGE FROM EXTERNAL SOURCES OF LIGHT BEAMS

External sources of light beams from direct sunlight, lighting moving head fixtures, and lasers, which are focused directly towards the exterior housing and/or penetrate the front lens opening of ADJ lighting fixtures, can cause severe internal damage including burning to optics, dichroic color filters, glass and metal gobos, prisms, animation wheels, frost filters, iris, shutters, motors, belts, wiring, discharge lamps, and LEDs.

This issue is not specific only to ADJ lighting fixtures, it is a common issue with lighting fixtures from all manufacturers. Although there is no true way to fully prevent this issue from happening, the guidelines below can prevent any potential damage from occurring if followed. Contact ADJ Service for more details.

DO NOT EXPOSE THE FIXTURE AND/OR FRONT LENS OPENING TO LIGHT BEAMS FROM DIRECT SUNLIGHT, OTHER LIGHTING MOVING HEAD FIXTURES, AND LASERS WHILE UNPACKING, INSTALLATION, USE, AND EXTENDED IDLE TIMES OUTDOORS.

DO NOT FOCUS A LIGHT BEAM FROM ONE LIGHTING FIXTURE DIRECTLY TOWARDS ANOTHER.



**FLAMMABLE MATERIAL WARNING**

Keep fixture at least 5.0 feet (1.5m) away from any flammable materials, decorations, pyrotechnics, etc.

**ELECTRICAL CONNECTIONS**

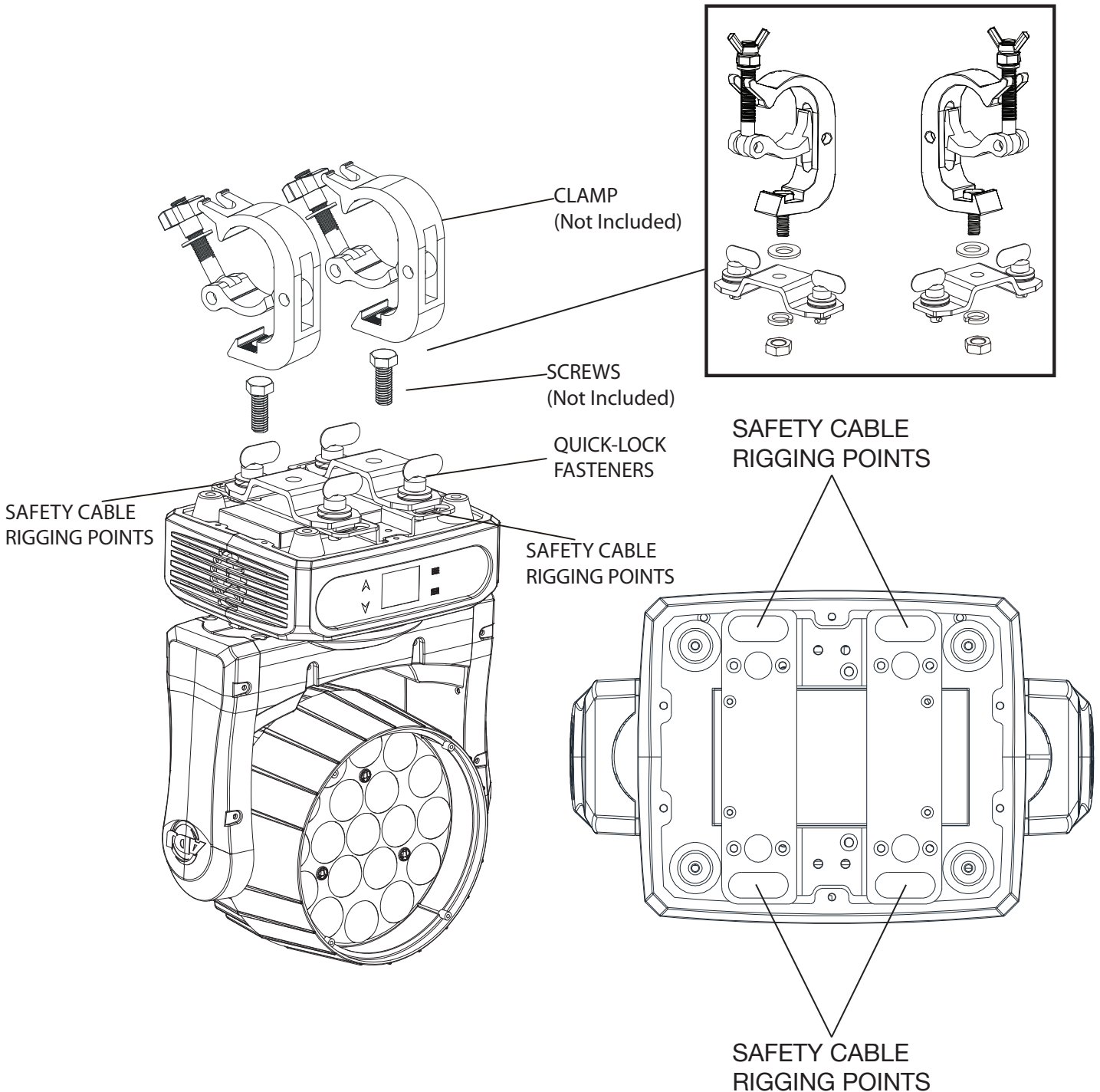
A qualified electrician should be used for all electrical connections and/or installations.

CAUTIONS

- For added protection, mount the fixture in areas outside walking paths, seating areas, or in areas where unauthorized personnel might reach the fixture.
- Ambient operating temperature range for this fixture is 14° to 104°F. (-10° to 40°C). Do not place this lighting fixture in an environment where the temperatures are under or above the temperatures stated above. This will allow the fixture to run at its best and help prolong the fixture life.
- Before mounting the fixture to any surface, make sure the installation area can hold a minimum point load of 10 times the weight of the fixture.
- Fixture installation must always be secured with a secondary safety attachment, such as an appropriate safety cable.
- Never stand directly below the device when mounting, removing or servicing.

CLAMP INSTALLATION

Screw one clamp via a M12 screw and nut into the Omega holder. Insert the quick-lock fasteners of the Omega holder into the respective holes of the adjustable mounting bracket. Tighten the quick-lock fasteners fully clockwise. Pull the safety-cable through one of the four rigging points located on the bottom of the unit and over the trussing system or a safe fixation spot. Insert the end in the carabine and tighten the safety screw.

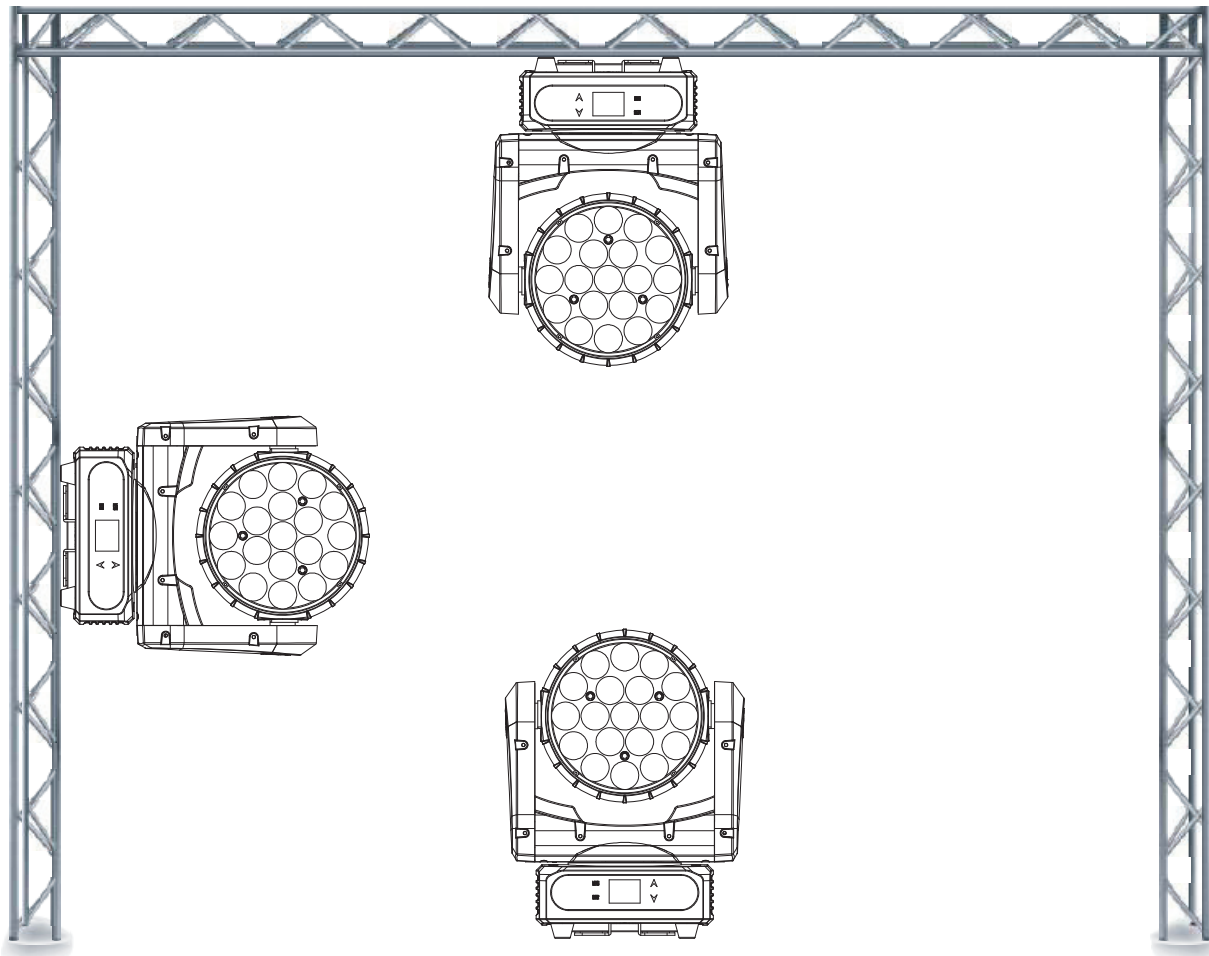


OVERHEAD RIGGING

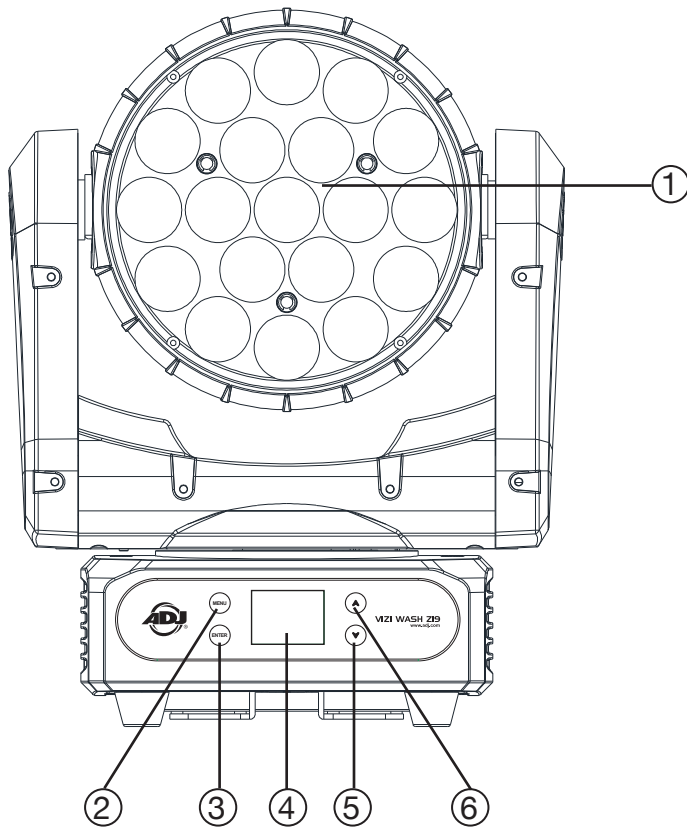
When installing the unit, the trussing or area of installation must be able to hold 10 times the weight without any deformation. When installing the unit must be secured with a secondary safety attachment, e.g. and appropriate safety cable. Never stand directly below the unit when mounting, removing, or servicing the unit.

Overhead mounting requires extensive experience, including calculating working load limits, installation material being used, and periodic safety inspection of all installation material and unit. If you lack these qualifications, do not attempt the installation yourself.

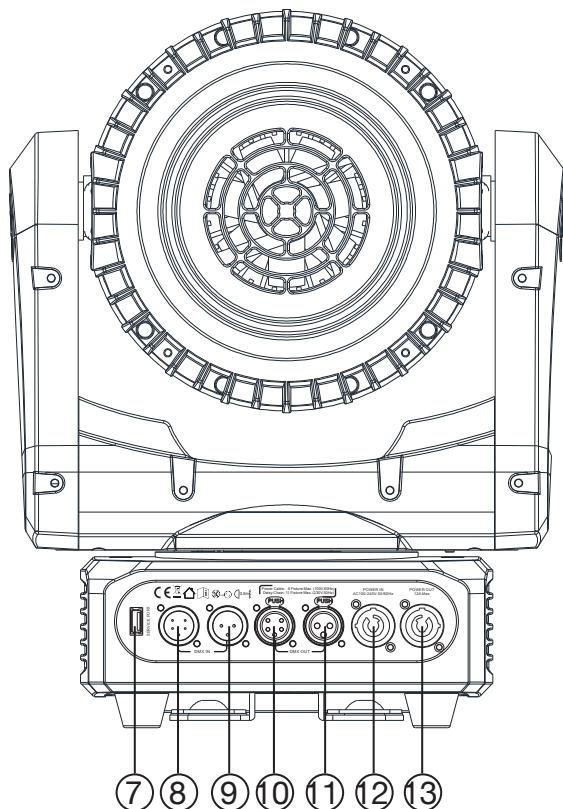
These installaiton should be checked by a skilled person once a year.



The Vizi Wash Z19 is fully operational in three different mounting positions, hanging upside-down, mounted sideways on trussing, or set on a flat level surface. Be sure this fixture is kept at least 12m (40ft) away from any flammable materials (decoration etc.). Always use and install the supplied safety cable as a safety measure to prevent accidental damage and/or injury in the event the clamp fails (see next page). Never use the carrying handles for secondary attachment.



- 1. LED Lens Array
- 2. MENU Button
- 3. ENTER Button
- 4. LCD Menu Control Display
- 5. DOWN Button
- 6. UP Button



- 7. Service Port
- 8. Locking 5-Pin XLR Connector In
- 9. Locking 3-Pin XLR Connector In
- 10. Locking 5-Pin XLR Connector Out
- 11. Locking 3-Pin XLR Connector Out
- 12. Locking Power Connector IN
- 13. Locking Power Connector Out

DMX-512: DMX is short for Digital Multiplex. This is a universal protocol used as a form of communication between intelligent fixtures and controllers. A DMX controller sends DMX data instructions from the controller to the fixture. DMX data is sent as serial data that travels from fixture to fixture via the DATA “IN” and DATA “OUT” XLR terminals located on all DMX fixtures (most controllers only have a DATA “OUT” terminal).

DMX Linking: DMX is a language allowing all makes and models of different manufactures to be linked together and operate from a single controller, as long as all fixtures and the controller are DMX compliant. To ensure proper DMX data transmission, when using several DMX fixtures try to use the shortest cable path possible. The order in which fixtures are connected in a DMX line does not influence the DMX addressing. For example; a fixture assigned a DMX address of 1 may be placed anywhere in a DMX line, at the beginning, at the end, or anywhere in the middle. When a fixture is assigned a DMX address of 1, the DMX controller knows to send DATA assigned to address 1 to that unit, no matter where it is located in the DMX chain.

Data Cable (DMX Cable) Requirements (For DMX Operation): The Vizi Wash Z19 can be controlled via DMX-512 protocol. Your unit and your DMX controller requires either a 3-pin or 5-pin XLR connector for data input and data output. We recommend Accu-Cable DMX cables. If you are making your own cables, be sure to use standard 110-120 Ohm shielded cable (This cable may be purchased at almost all pro lighting stores). Your cables should be made with a male and female XLR connector on either end of the cable. Also remember that DMX cable must be daisy chained and cannot be split.

Special Note: Line Termination. When longer runs of cable are used, you may need to use a terminator on the last unit to avoid erratic behavior. A terminator is a 110-120 ohm 1/4 watt resistor which is connected between pins 2 and 3 of a male XLR connector (DATA + and DATA -). This unit is inserted in the female XLR connector of the last unit in your daisy chain to terminate the line. Using a cable terminator (ADJ part number Z-DMX/T) will decrease the possibilities of erratic behavior.

DMX ADDRESSING

All fixtures should be given a DMX starting address when using a DMX controller, so the correct fixture responds to the correct control signal. This digital starting address is the channel number from which the fixture starts to “listen” to the digital control signal sent out from the DMX controller. The assignment of this starting DMX address is achieved by setting the correct DMX address on the digital control display on the fixture.

You can set the same starting address for all fixtures or a group of fixtures, or set different addresses for each individual fixture. Setting all fixtures to the same DMX address will cause all fixtures to react in the same way, in other words, changing the settings of one channel will affect all the fixtures simultaneously.

If you set each fixture to a different DMX address, each unit will start to “listen” to the channel number you have set, based on the quantity of DMX channels of each fixture. That means changing the settings of one channel will only affect the selected fixture.

In the case of the Vizi Wash Z19, when in 13 Channel you should set the starting DMX address of the first unit to 1, the second unit to 14 (13 + 1), the third unit to 27 (14 + 13), and so on. (See the chart below for more details.)

SOFTWARE VERSION \leq V1.2

Channel Mode	Unit 1 Address	Unit 2 Address	Unit 3 Address	Unit 4 Address
12 Channels	1	13	25	37
16 Channels	1	17	33	49
28 Channels	1	29	57	85
44 Channels	1	45	89	133

SOFTWARE VERSION \geq V1.6

Channel Mode	Unit 1 Address	Unit 2 Address	Unit 3 Address	Unit 4 Address
13 Channels	1	14	27	40
14 Channels	1	15	29	43
17 Channels	1	18	35	52
29 Channels	1	30	59	88
45 Channels	1	46	91	136

ADJ VIZI WASH Z19 DMX Channel Values & Functions Supports Software Version ≤1.2 <small>Features subject to change without notice</small> <small>*Pixel Zones and control of effects depends on head orientation and Pan/Tilt settings*</small>					
12 Channels	16 Channels	28 Channels	44 Channels	Values	Functions
1	1	1	1	000-255	PAN MOVEMENT 8-BIT Pan Movement
	2	2	2	000-255	PAN FINE 16-BIT Fine Control of Pan Movement
2	3	3	3	000-255	TILT MOVEMENT 8-BIT Tilt Movement
	4	4	4	000-255	TILT FINE 16-BIT Fine Control of Tilt Movement
3	5			000-255	RED ALL 0%-100%
4	6			000-255	GREEN ALL 0%-100%
5	7			000-255	BLUE ALL 0%-100%
6	8			000-255	WHITE ALL 0%-100%
		5	5	000-255	RED Zone 1 0%-100%
		6	6	000-255	GREEN Zone 1 0%-100%
		7	7	000-255	BLUE Zone 1 0%-100%
		8	8	000-255	WHITE Zone 1 0%-100%
		9	9	000-255	RED Zone 2 0%-100%
		10	10	000-255	GREEN Zone 2 0%-100%
		11	11	000-255	BLUE Zone 2 0%-100%
		12	12	000-255	WHITE Zone 2 0%-100%
		13	13	000-255	RED Zone 3 0%-100%
		14	14	000-255	GREEN Zone 3 0%-100%
		15	15	000-255	BLUE Zone 3 0%-100%
		16	16	000-255	WHITE Zone 3 0%-100%
			17	000-255	RED Zone 4 0%-100%
			18	000-255	GREEN Zone 4 0%-100%
			19	000-255	BLUE Zone 4 0%-100%
			20	000-255	WHITE Zone 4 0%-100%
			21	000-255	RED Zone 5 0%-100%
			22	000-255	GREEN Zone 5 0%-100%
			23	000-255	BLUE Zone 5 0%-100%
			24	000-255	WHITE Zone 5 0%-100%
			25	000-255	RED Zone 6 0%-100%
			26	000-255	GREEN Zone 6 0%-100%
			27	000-255	BLUE Zone 6 0%-100%
			28	000-255	WHITE Zone 6 0%-100%
			29	000-255	RED Zone 7 0%-100%
			30	000-255	GREEN Zone 7 0%-100%
			31	000-255	BLUE Zone 7 0%-100%
			32	000-255	WHITE Zone 7 0%-100%

12 Channels	16 Channels	28 Channels	44 Channels	Values	Functions
7	9	17	33	000-255	64 COLOR MACROS Please see Color Macro Chart on pages 20-21
					CHASE PATTERNS
				000-014	No Function
				015-030	Chase 1
				031-046	Chase 2
				047-062	Chase 3
				063-078	Chase 4
				079-094	Chase 5
				095-110	Chase 6
				111-126	Chase 7
				127-142	Chase 8
				143-158	Chase 9
				159-174	Chase 10
				175-190	Chase 11
				191-206	Chase 12
				207-222	Chase 13
				223-238	Chase 14
				239-255	Chase 15
					CHASE SPEED
				000-125	Backward Fast - Slow
				126-130	Stop
				131-255	Forward Slow - Fast
					CHASE FADE
				000-255	Slow - Fast
					SHUTTER & STROBE
				000-031	Close
				032-063	Open
				064-095	Strobing Slow - Fast
				096-127	Open
				128-159	Pulse Strobing
				160-191	Open
				192-223	Random Strobing
				224-255	Open
					DIMMER
				000-255	0%-100%
					DIMMER FINE
				000-255	0%-100%
					ZOOM
				000-255	0%-100%
					ZOOM FINE
				000-255	0%-100%

12 Channels	16 Channels	28 Channels	44 Channels	Values	Functions
					DIMMER MODES & DIMMER SPEED
				000-020	Standard
				021-040	Stage
				041-060	TV
				061-080	Architectural
				081-100	Theatre
				101-120	Stage 2
					DIMMER DELAY TIME
				121	0.1Sec.
				122	0.2Sec.
				123	0.3Sec.
				124	0.4Sec.
				125	0.5Sec.
				126	0.6Sec.
				127	0.7Sec.
				128	0.8Sec.
				129	0.9Sec.
				130	1.0Sec.
				131	1.5Sec.
				132	2.0Sec.
				133	3.0Sec.
				134	4.0Sec.
				135	5.0Sec.
				136	6.0Sec.
				137	7.0Sec.
				138	8.0Sec.
				139	9.0Sec.
				140	10Sec.
				141-255	Default to Unit Setting
11	15	27	43		P/T MOVEMENT SPEED
				000-255	Fast - Slow
					SPECIAL FUNCTIONS
				000-069	No Function
				070-079	Blackout With Pan/Tilt Movement Enabled
				080-089	Blackout With Pan/Tilt Movement Disabled
				090-099	Reset All
				100-109	Reset Zoom
				110-119	Reset Pan/Tilt Motors
				120-255	No Function

ADJ VIZI WASH Z19 DMX Channel Values & Functions Supports Software Version ≥1.6 <small>Features subject to change without notice</small> <small>*Pixel Zones and control of effects depends on head orientation and Pan/Tilt settings*</small>						
13 Channels	14 Channels	17 Channels	29 Channels	45 Channels	Values	Functions
1	1	1	1	1	000-255	PAN MOVEMENT 8-BIT Pan Movement
		2	2	2	000-255	PAN FINE 16-BIT Fine Control of Pan Movement
2	2	3	3	3	000-255	TILT MOVEMENT 8-BIT Tilt Movement
		4	4	4	000-255	TILT FINE 16-BIT Fine Control of Tilt Movement
3	3	5			000-255	RED ALL 0%-100%
4	4	6			000-255	GREEN ALL 0%-100%
5	5	7			000-255	BLUE ALL 0%-100%
6	6	8			000-255	WHITE ALL 0%-100%
			5	5	000-255	RED Zone 1 0%-100%
			6	6	000-255	GREEN Zone 1 0%-100%
			7	7	000-255	BLUE Zone 1 0%-100%
			8	8	000-255	WHITE Zone 1 0%-100%
			9	9	000-255	RED Zone 2 0%-100%
			10	10	000-255	GREEN Zone 2 0%-100%
			11	11	000-255	BLUE Zone 2 0%-100%
			12	12	000-255	WHITE Zone 2 0%-100%
			13	13	000-255	RED Zone 3 0%-100%
			14	14	000-255	GREEN Zone 3 0%-100%
			15	15	000-255	BLUE Zone 3 0%-100%
			16	16	000-255	WHITE Zone 3 0%-100%
				17	000-255	RED Zone 4 0%-100%
				18	000-255	GREEN Zone 4 0%-100%
				19	000-255	BLUE Zone 4 0%-100%
				20	000-255	WHITE Zone 4 0%-100%
				21	000-255	RED Zone 5 0%-100%
				22	000-255	GREEN Zone 5 0%-100%
				23	000-255	BLUE Zone 5 0%-100%
				24	000-255	WHITE Zone 5 0%-100%
				25	000-255	RED Zone 6 0%-100%
				26	000-255	GREEN Zone 6 0%-100%
				27	000-255	BLUE Zone 6 0%-100%
				28	000-255	WHITE Zone 6 0%-100%
				29	000-255	RED Zone 7 0%-100%
				30	000-255	GREEN Zone 7 0%-100%
				31	000-255	BLUE Zone 7 0%-100%
				32	000-255	WHITE Zone 7 0%-100%

13 Channels	14 Channels	17 Channels	29 Channels	45 Channels	Values	Functions
7	8	9	17	33		COLOR TEMPERATURE (LINEAR)
					000-035	Null
					036-040	2700K
					041-045	2800K
					046-050	2900K
					051-055	3000K
					056-060	3100K
					061-065	3200K
					066-070	3300K
					071-075	3400K
					076-080	3500K
					081-085	3600K
					086-090	3700K
					091-095	3800K
					096-100	3900K
					101-105	4000K
					106-110	4100K
					111-115	4200K
					116-120	4300K
					121-125	4400K
					126-130	4500K
					131-135	4600K
					136-140	4700K
					141-145	4800K
					146-150	4900K
					151-155	5000K
					156-160	5100K
					161-165	5200K
					166-170	5300K
					171-175	5400K
					176-180	5500K
					181-185	5600K
					186-190	5700K
191-195	5800K					
196-200	5900K					
201-205	6000K					
206-210	6100K					
211-215	6200K					
216-220	6300K					
221-225	6400K					
226-230	6500K					
231-235	6600K					
236-240	6700K					
241-245	6800K					
246-250	6900K					
251-255	7000K					
8	7	10	18	34	000-255	64 COLOR MACROS Please see pages 20-21 for the Color Macro Chart

13 Channels	14 Channels	17 Channels	29 Channels	45 Channels	Values	Functions
						CHASE PATTERNS
					000-014	Off
					015-030	Chase 1
					031-046	Chase 2
					047-062	Chase 3
					063-078	Chase 4
					079-094	Chase 5
			19	35	095-110	Chase 6
					111-126	Chase 7
					127-142	Chase 8
					143-158	Chase 9
					159-174	Chase 10
					175-190	Chase 11
					191-206	Chase 12
					207-222	Chase 13
					223-238	Chase 14
					239-255	Chase 15
						CHASE SPEED
			20	36	000-125	Backward Fast - Slow
					126-130	Stop
					131-255	Forward Slow - Fast
			21	37	000-255	CHASE FADE
						SHUTTER & STROBE
9		11	22	38	000-031	Close
					032-063	Open
					064-095	Strobing Slow - Fast
					096-127	Open
					128-159	Pulse Strobing
					160-191	Open
					192-223	Random Strobing
					224-255	Open
						SHUTTER & STROBE
					000-019	Close
					020-024	Open
					025-064	Strobe Slow-Fast
					065-069	Open
					070-084	Pulse Slow Open-Fast Closed
					085-089	Open
					090-104	Pulse Fast Open-Slow Closed
					105-109	Open
					110-124	Random Strobe
					125-129	Open
					130-144	Random Pulse Open
					145-149	Open
					150-164	Random Pulse Closed
					165-169	Open
					170-184	Burst Pulse
					185-189	Open
					190-204	Random Burst Pulse
					205-209	Open
					210-224	Shutter Strobe Pulse
					225-229	Open
					230-244	Burst
					245-255	Open

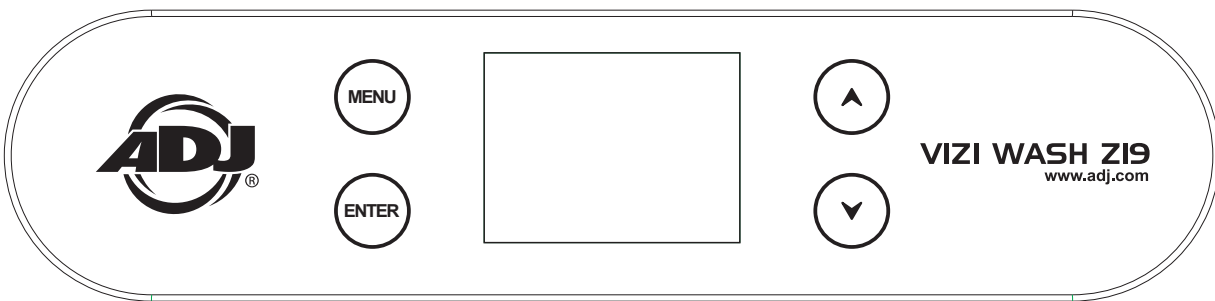
13 Channels	14 Channels	17 Channels	29 Channels	45 Channels	Values	Functions
10	10	12	23	39	000-255	DIMMER 0%-100%
		13	24	40	000-255	DIMMER FINE 0%-100%
11	12	14	25	41	000-255	ZOOM Wide-Narrow
			26	42	000-255	ZOOM FINE 0%-100%
				43		DIMMER MODES
					000-020	Standard
					021-040	Stage
					041-060	TV
					061-080	Architectural
					081-100	Theatre
					101-120	Stage 2
						DIMMER DELAY TIME
					121	0.1Sec.
					122	0.2Sec.
					123	0.3Sec.
					124	0.4Sec.
					125	0.5Sec.
					126	0.6Sec.
					127	0.7Sec.
					128	0.8Sec.
					129	0.9Sec.
					130	1.0Sec.
					131	1.5Sec.
					132	2.0Sec.
133	3.0Sec.					
134	4.0Sec.					
135	5.0Sec.					
136	6.0Sec.					
137	7.0Sec.					
138	8.0Sec.					
139	9.0Sec.					
140	10Sec.					
141-255	Default to Unit Setting					
12	13	16	28	44	000-255	P/T MOVEMENT SPEED Fast - Slow
13	14	17	29	45		SPECIAL FUNCTIONS
					000-069	Null
					070-079	Blackout with Pan/Tilt Enabled
					080-089	Blackout with Pan/Tilt Disabled
					090-099	Reset All
					100-109	Zoom Reset
110-119	Pan/Tilt Reset					
120-255	Null					

Color No.	DMX VAULE	RGBW COLOR INTENSITY			
		RED	GREEN	BLUE	WHITE
OFF	0	0	0	0	0
Color1	1-4	80	255	234	80
Color2	5-8	80	255	164	80
Color3	9-12	77	255	112	77
Color4	13-16	117	255	83	83
Color5	17-20	160	255	77	77
Color6	21-24	223	255	83	83
Color7	25-28	255	243	77	77
Color8	29-32	255	200	74	74
Color9	33-36	255	166	77	77
Color10	37-40	255	125	74	74
Color11	41-44	255	97	77	74
Color12	45-48	255	71	77	71
Color13	49-52	255	83	134	83
Color14	53-56	255	93	182	93
Color15	57-60	255	96	236	96
Color16	61-64	238	93	255	93
Color17	65-68	196	87	255	87
Color18	69-72	150	90	255	90
Color19	73-76	100	77	255	77
Color20	77-80	77	100	255	77
Color21	81-84	67	148	255	67
Color22	85-88	77	195	255	77
Color23	89-92	77	234	255	77
Color24	93-96	158	255	144	144
Color25	97-100	255	251	153	153
Color26	101-104	255	175	147	147
Color27	105-108	255	138	186	138
Color28	109-112	255	147	251	147
Color29	113-116	151	138	255	138
Color30	117-120	99	0	255	100
Color31	121-124	138	169	255	138
Color32	125-128	255	255	255	255

Color No.	DMX VAULE	RGBW COLOR INTENSITY			
		RED	GREEN	BLUE	WHITE
Color33	129-132	255	206	143	0
Color34	133-136	254	177	153	0
Color35	137-140	254	192	138	0
Color36	141-144	254	165	98	0
Color37	145-148	254	121	0	0
Color38	149-152	176	17	0	0
Color39	153-156	96	0	11	0
Color40	157-160	234	139	171	0
Color41	161-164	224	5	97	0
Color42	165-168	175	77	173	0
Color43	169-172	119	130	199	0
Color44	173-176	147	164	212	0
Color45	177-180	88	2	163	0
Color46	181-184	0	38	86	0
Color47	185-188	0	142	208	0
Color48	189-192	52	148	209	0
Color49	193-196	1	134	201	0
Color50	197-200	0	145	212	0
Color51	201-204	0	121	192	0
Color52	205-208	0	129	184	0
Color53	209-212	0	83	115	0
Color54	213-216	0	97	166	0
Color55	217-220	1	100	167	0
Color56	221-224	0	40	86	0
Color57	225-228	209	219	182	0
Color58	229-232	42	165	85	0
Color59	233-236	0	46	35	0
Color60	237-240	8	107	222	0
Color61	241-244	255	0	0	0
Color62	245-248	0	255	0	0
Color63	249-252	0	0	255	0
Color64	253-255	0	0	0	255

SYSTEM MENU

The fixture includes an easy to navigate system menu control panel display where all necessary settings and adjustments are made. (See image below) During normal operation, pressing the **MENU** button once will access the fixture's main menu. Once in the main menu, you can navigate through the different functions and access the sub-menus with the **UP** and **DOWN** buttons. When you reach a field that requires adjusting, press the **ENTER** button to access that field and use the **UP** and **DOWN** buttons to adjust the field. Pressing the **ENTER** button once more will confirm your setting. You may exit the main menu at any time without making any adjustments by pressing the **MENU** button.



SOFTWARE VERSION ≤V1.2

MENU	SUBMENU	OPTIONS	DESCRIPTION
DMX Settings	DMX Address	001~XXX	DMX Addressing
	DMX CH Mode	12Ch / 16Ch / 28Ch / 44Ch	DMX Channel Mode Selection
	No DMX Status	HoldLast / BlackOut / Int. Pro. / Manual	DMX Lost Status
Personality	Status Settings	Pan Invert: On / Off	Reverse Pan Motion
		Tilt Invert: On / Off	Reverse Tilt Motion
		P/T Feedback: On / Off	Movement Feedback
		P/T Speed: Speed 1 / Speed 2	Pan/Tilt Movement Speed
		Hibernation: Off / 01M~99M / 15M	Sleep Setting (No Activity)
	Fan Settings	Head: Auto / High / Silent	Head Fan Setting
		Base: Auto / High / Silent	Base Fan Setting
	Dim Modes	Standard / Stage / TV / Architectural / Theatre / Stage2	Dimmer Modes
		Dim Speed: 0.1-10s	Dimming Speed
	Gamma	1.0 / 2.0 / 2.2 / 2.4 / 2.6 / 2.8	Gamma Brightness
	Reset Motors	Pan/Tilt: Yes / No	Reset Pan/Tilt Motors
		Effect: Yes / No	Reset Effect Motor
		All: Yes / No	Reset All Motors
	Display	Backlight Intensity: 1~10 (Dimmest-Brightest)	Backlight Brightness
		Display Invert: Yes / No	Display Readout Inversion
		Screen Saver Delay: Off~10Mins	Display Blackout
		Display Lock On/Off: On / Off	Display Lock
	Service (Pass Code = 50)	Calibration: Pass Code = 050	Calibration
		USB Port Power: On / Off	USB Port Activation
		Update Software: Yes / No	Software Update
Factory Restore: Yes / No - Pass Code = 011		Restore Factory Settings	
Manual Control	Pan	000~255	Manual Control Settings
	Tilt	000~255	
	Red 1-7	000~255	
	Green 1-7	000~255	
	Blue 1-7	000~255	
	White 1-7	000~255	
	Color	000~255	
	Shutter	000~255	
	Dimmer	000~255	
	Zoom	000~255	
	Spe. Func	000~255	
Internal Programs	Program 0	Speed: 000~255 Fade: 000~255	Program 0 with Adjustments
	Program 1	Speed: 000~255 Fade: 000~255	Program 1 with Adjustments
	Program 2	Speed: 000~255 Fade: 000~255	Program 2 with Adjustments
	Program 3	Speed: 000~255 Fade: 000~255	Program 3 with Adjustments
	Program 4	Speed: 000~255 Fade: 000~255	Program 4 with Adjustments

Note: Zone Layout depends on PAN/TILT position of the head.

SOFTWARE VERSION ≥V1.6

MENU	SUBMENU	OPTIONS	DESCRIPTION
DMX Settings	DMX Address	001~XXX	DMX Addressing
	DMX CH Mode	13Ch / 14Ch / 17Ch / 29Ch / 45Ch	DMX Channel Mode Selection
	No DMX Status	HoldLast / BlackOut / Int. Pro. / Manual	DMX Lost Status
Personality	Status Settings	Pan Invert: On / Off	Reverse Pan Motion
		Tilt Invert: On / Off	Reverse Tilt Motion
		P/T Feedback: On / Off	Movement Feedback
		P/T Speed: Speed 1 / Speed 2	Pan/Tilt Movement Speed
		Hibernation: Off / 01M~99M / 15M	Sleep Setting (No Activity)
	Fan Settings	Head: Auto / High / Silent	Head Fan Setting
		Base: Auto / High / Silent	Base Fan Setting
	Dim Modes	Standard / Stage / TV / Architectural / Theatre / Stage2	Dimmer Modes
		Dim Speed: 0.1-10s	Dimming Speed
	Gamma	1.0 / 2.0 / 2.2 / 2.4 / 2.6 / 2.8	Gamma Brightness
	Reset Motors	Pan/Tilt: Yes / No	Reset Pan/Tilt Motors
		Effect: Yes / No	Reset Effect Motor
		All: Yes / No	Reset All Motors
	Display	Backlight Intensity: 1~10 (Dimmest-Brightest)	Backlight Brightness
		Display Invert: Yes / No	Display Readout Inversion
		Screen Saver Delay: Off~10Mins	Display Blackout
		Display Lock On/Off: On / Off	Display Lock
	Service (Pass Code = 50)	Calibration: Pass Code = 050	Calibration
USB Port Power: On / Off		USB Port Activation	
Update Software: Yes / No		Software Update	
Factory Restore: Yes / No - Pass Code = 011		Restore Factory Settings	
Manual Control	Pan	000~255	Manual Control Settings
	Tilt	000~255	
	Red 1-7	000~255	
	Green 1-7	000~255	
	Blue 1-7	000~255	
	White 1-7	000~255	
	Color	000~255	
	Shutter	000~255	
	Dimmer	000~255	
	Zoom	000~255	
	Spe. Func	000~255	
Internal Programs	Program 0	Speed: 000~255 Fade: 000~255	Program 0 with Adjustments
	Program 1	Speed: 000~255 Fade: 000~255	Program 1 with Adjustments
	Program 2	Speed: 000~255 Fade: 000~255	Program 2 with Adjustments
	Program 3	Speed: 000~255 Fade: 000~255	Program 3 with Adjustments
	Program 4	Speed: 000~255 Fade: 000~255	Program 4 with Adjustments

Note: Zone Layout depends on PAN/TILT position of the head.

MENU	SUBMENU	OPTIONS	DESCRIPTION	
Target Mode	Target Mode	Mode 0 Mode 1 Mode 2 Mode 3 Mode 4	Target Mode	
Information	Fixture Life Time	Power On Time - XXXXXX Hours	Total Running Time (Not Resettable)	
		P-On Time-R - XXXXXX Hours	Total Running Time (Resettable)	
		P-On Time Reset - Pass Code = 050	Reset Total Running Time	
	Total LED Time	LED On Time - XXXXXX Hours	Total LED On Running Time (Not Resettable)	
		LED On Time-R - XXXXXX Hours	LED On Running Time (Resettable)	
		LED On Time Reset - Pass Code = 050	Reset LED Running Time	
	Fixture Temps	LED's	Current	Current Temperature
			Max Resettable	Maximum Temperature ⁽¹⁾ Reached (Resettable) (See Note 1)
			Max Not Resettable	Maximum Temperature ⁽²⁾ Reached (Not Resettable) (See Note 2)
		Reset LED Temp: Yes / No - Pass Code = 050	Reset Temperature	
	Fan Info. (RPM)	Base Fan: XXX	Base Fan Speed	
		LED Fan: XXX	LED Fan Speed	
	DMX Values ⁽³⁾ (See Note 3)	Pan / Pan Fine / Tilt / Tilt Fine / Red (1-7) / Green (1-7) / Blue (1-7) / White (1-7) / CTO / Color / Chase Pat. / Chase Speed / Chase Fade / Shutter / Dimmer / Dimmer Fine / Zoom / Zoom Fine / Dimmer Mode / P/T Sp. / Spe. Func	Current DMX Values	
	Error Logs	Fixture Errors	List of Errors (One by One)	
		Reset Error Log: Yes / No - Pass Code = 050	Clear Error Log	
Max Temp LED ON	32~167°F, 73°F ⁽⁴⁾ / 0~75°C, 23°C ⁽⁴⁾ (See Note 4)	Fixture Temp. (LED On)		
High Temp LED OFF	169°F, 73°F ⁽⁵⁾ / 76°C, 23°C ⁽⁵⁾ (See Note 5)	Fixture Temp. (LED Off)		
Firmware Version	X.XX	Current Software Version		

NOTES:

- (1) Current Maximum Temperature - Maximum fixture temp. that has been recorded, before reset and after reset.
- (2) Maximum Temperature - Overall maximum fixture temp. that has been recorded. (Not Resettable)
- (3) DMX Value options depend on the DMX Channel mode the fixture is set to.
- (4) Max Temp LED ON - Normal Operating Temperature
- (5) Max Temp LED OFF - Normal Operating Temperature

DMX SETTINGS - The submenus listed under **DMX SETTINGS** are as follows: **DMX Address**, **DMX Channel Mode**, and **No DMX Status**.

- **DMX ADDRESS** - In this submenu you can use the UP or DOWN buttons to adjust and find your desired DMX address.
- **DMX CHANNEL MODE** - In this submenu you can use the UP or DOWN buttons to find your desired DMX channel mode.
- **NO DMX STATUS** - This submenu setting is used as a precaution mode in case the DMX signal is lost or interrupted. The operating mode chosen in this submenu is the running mode the fixture will go into when the DMX signal or power is lost. Listed below are the 4 modes.
 - **Hold Last** - This setting will have the fixture stay in the last DMX setup.
 - **Blackout** - This setting will have the fixture automatically go into stand by mode (blackout).
 - **Internal Programs** - This setting will have the fixture run an internal program.
 - **Manual** - This setting will have the fixture automatically go to the setup made under the “**Manual Control**” menu. See **MANUAL Control** below.

PERSONALITY - The submenus listed under **PERSONALITY** are as follows: **Status Settings**, **Fan Settings**, **Dimmer Modes**, **Gamma Settings**, **Reset Motors**, **Display**, and **Service**.

- **STATUS SETTINGS** - In this submenu you are able to access and adjust/change the Pan Invert, Tilt Invert, P/T. Feedback, P/T. Speed, and Hibernation.
- **FAN SETTINGS** - In this submenu you are able to access and adjust/change the head fan setting and base fan setting.
- **DIM MODE SETTINGS** - In this submenu you are able to access and adjust/change the dimming modes and dimming speeds. The adjusted dimming speeds will over ride and change any dimming mode that is currently selected.
- **GAMMA SETTINGS** - In this submenu you are able to select your desired gamma setting.
- **RESET MOTORS** - In this submenu you are able to reset the pan/tilt motors, effect motors, and zoom motor.
- **DISPLAY** - In this submenu you are able to access and adjust/change the backlight intensity, display inversion, screen saver display time, and display lock function.
- **SERVICE** - In this submenu you are able to access the effect calibration, USB port power on/off, software update, and restore the factory settings.

MANUAL CONTROL - This menu is for manual testing and manual control. All adjustments and settings made under this menu will be reflected under the “**Manual**” setting in the “**NO DMX STATUS**” submenu.

TARGET MODE - Target mode is a restrictive pan/tilt control limiting the movement to a certain degree. See page 30 for a diagram of the Target mode movements.

INFORMATION - The submenus listed under **INFORMATION** are as follows: *Fixture Life Time, Total LED Time, Fixture Temps, Fan Info. (RPM), DMX Values, Error Logs, Max Temp LED ON, High Temp LED OFF, and Firmware Version.*

- **FIXTUE LIFE TIME**

- **Power On Time** - The **TOTAL** power ON running time of the unit is displayed. This time **CANNOT** be reset.
- **P-On Time-R** - The **CURRENT** power ON running time of the unit is displayed. This running time may not be the same as the total power ON running time displayed under "**Power On Time**". This time **CAN** be reset. **NOTE: The displayed time represents the current power ON time since the last reset.**
- **P-On Time Reset** - Reset the **CURRENT** power ON running time that is displayed under "**P-On Time-R**".

- **TOTAL LED TIME**

- **LED On Time** - The **TOTAL** LED ON time is displayed. This total LED ON time **CANNOT** be reset. **NOTE: The displayed time represents the TOTAL LED ON time.**
- **LED On Time-R** - The **CURRENT** LED ON running time is displayed. This running time may not be the same as the total LED ON time displayed under "**LED On Time**". This total LED ON time **CAN** be reset. **NOTE: The displayed time represents the current LED ON time since the last reset.**
- **LED On Time Reset** - With this function you can reset the **CURRENT** LED ON time that is displayed under "**LED On Time-R**".

- **FIXTURE TEMPS (LED):**

- **Current** - The current LED temperature will be displayed.
- **Max Resettable** - The current highest temperature the LED has reached will be displayed. This LED temperature may not be the same as the temperature displayed under "**CURRENT**" or "**MAX NOT RESETTABLE**". This LED temperature **CAN** be reset. **NOTE: The displayed temperature represents the highest temperature the LED has reached since the last reset.**
- **Max Not Resettable** - The current highest temperature the LED has reached will be displayed. This LED temperature **CANNOT** be reset, and could continue rise.

Reset LED Temp - With this function you can reset the "**MAX RESETTABLE**" LED temperature.

NOTE: When the temperature is reset, the "Max Resettable" temperature will revert to the CURRENT LED temperature.

- **FAN INFO. (RPM)**

- **Base Fan** - Current running speed of the base fan is displayed.
- **LED Fan** - Current running speed of the LED fan is displayed.

- **DMX VALUES** - In this submenu are able to check the DMX values of any DMX channel that is currently in use. **Note: The DMX values options displayed under this submenu depend on the DMX channel mode setting.**
- **ERROR LOGS** - in this submenu you are able to check the status of any error codes.
- **MAX TEMP LED ON** - The temperature of the fixture will be displayed. **Note: This reflects the temperature of the fixture when the LED is On.**
- **HIGH TEMP LED OFF** - The temperature of the fixture will be displayed. **Note: This reflects the temperature of the fixture when the LED is Off.**
- **FIRMWARE VERSION** - The current software version will be displayed.

Pixel Zone Layout

28 Ch. Mode (29 Ch. Mode w/ Software Version \geq 6.1)



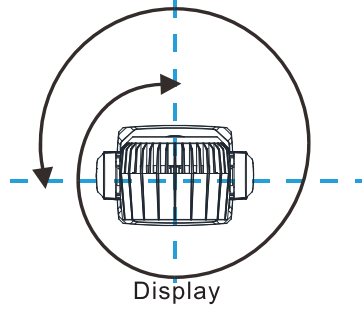
Pixel Zone Layout

44 Ch. Mode (45 Ch. Mode w/ Software Version \geq 6.1)

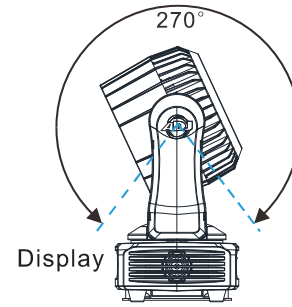


Mode 0

Pan Movement Range = 540°

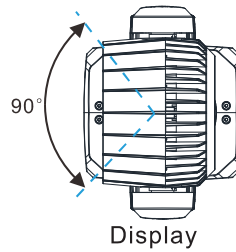


Tilt Movement Range = 270°

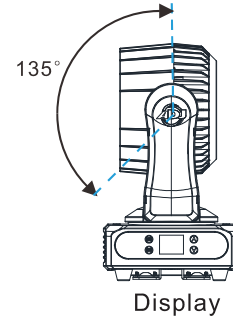


Mode 1

Pan Movement Range = 90°

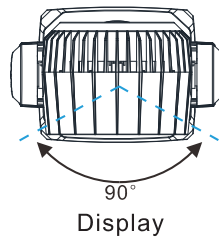


Tilt Movement Range = 135°

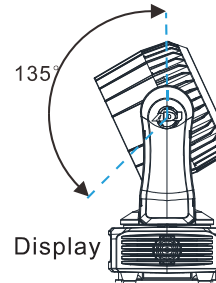


Mode 2

Pan Movement Range = 90°

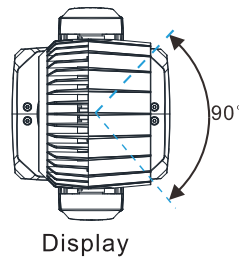


Tilt Movement Range = 135°

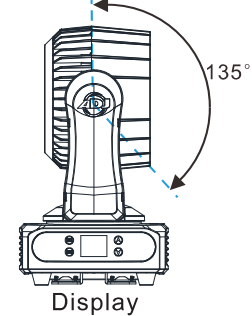


Mode 3

Pan Movement Range = 90°

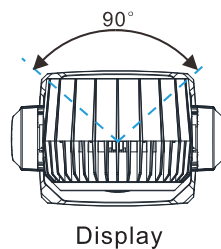


Tilt Movement Range = 135°

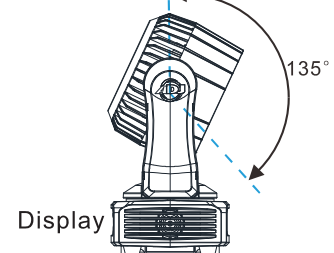


Mode 4

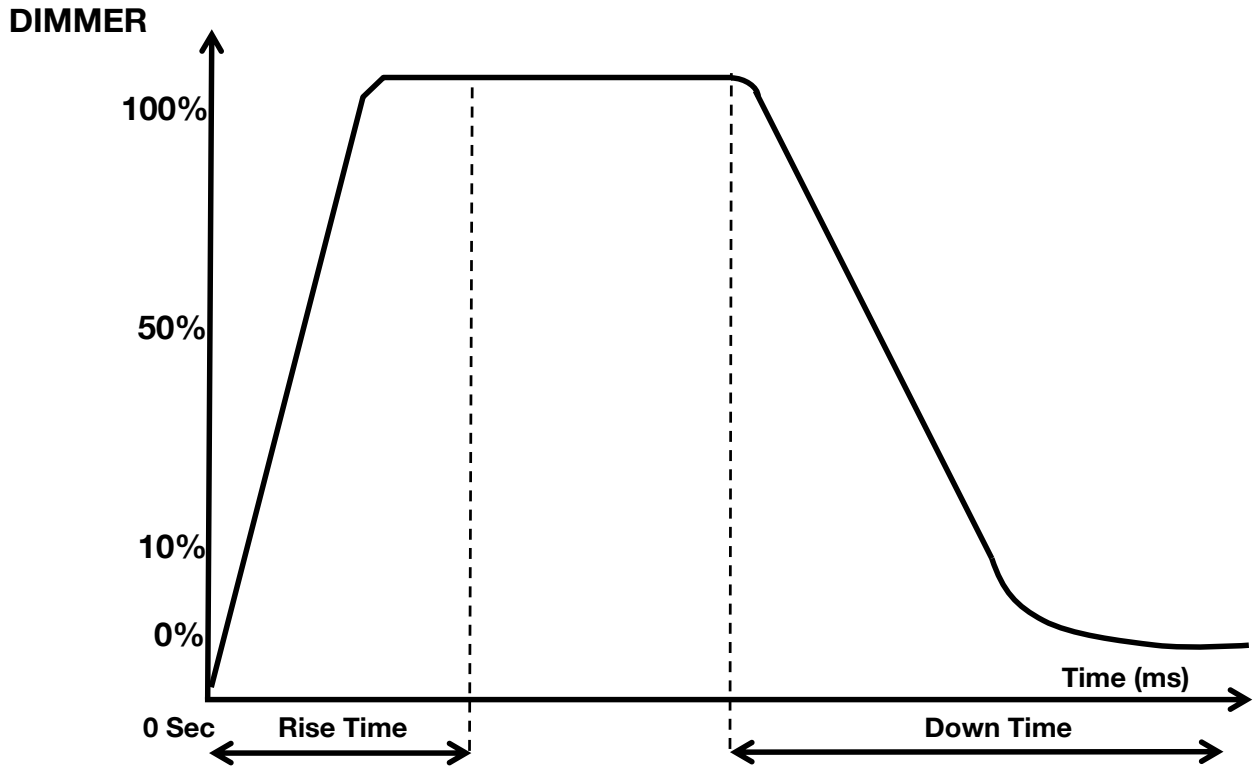
Pan Movement Range = 90°



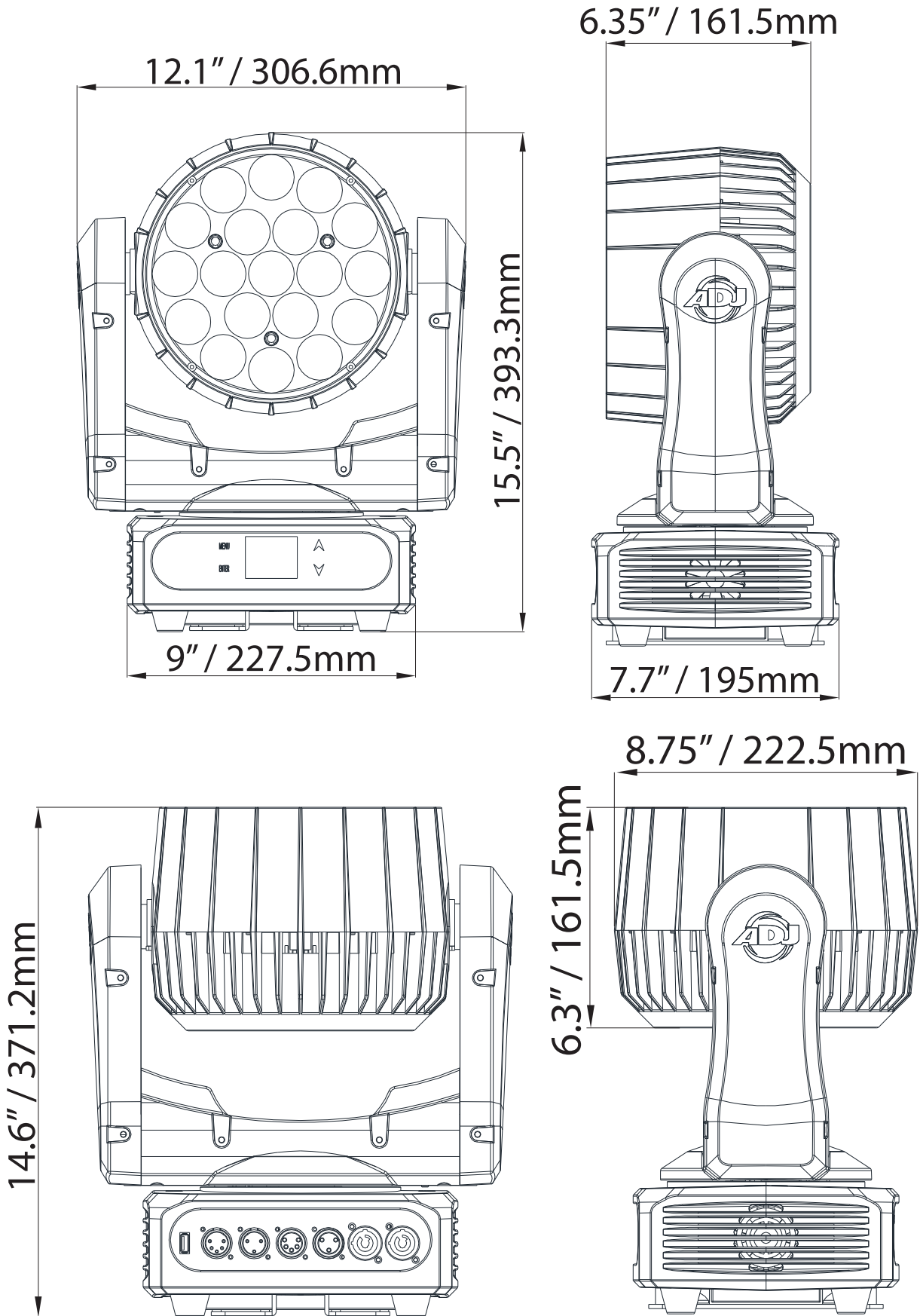
Tilt Movement Range = 135°



	Print error message	Description
1	CPU-B Error	CPU-B Error
2	CPU-C Error	CPU-C Error
3	Pan Reset Error	Pan :Reset Error
4	Pan Encoder Error	Pan : Encoder Error
5	Tilt Reset Error	Tilt :Reset Error
6	Tilt Encoder Error	Tilt : Encoder Error
7	Led Fan start errors	Led Fan Can't Start
8	Led Fan stop errors	Led Fan Can't Stop
9	Led Fan fast speed	Led Fan Too Fast
10	Led Fan slow speed	Led Fan Too Slow
11	Base Fan start errors	Base Fan Can't Start
12	Base Fan stop errors	Base Fan Can't Stop
13	Base Fan speed too slow	Base Fan speed Too slow
14	Base Fan speed too fast	Base Fan speed Too fast



Dimming Curve Ramp Effect	0 sec Fade Time		1 sec Fade Time	
	Rise Time (ms)	Down Time (ms)	Rise Time (ms)	Down Time (ms)
Standard (default)	0	0	0	0
Stage	780	1100	1540	1660
TV	1180	1520	1860	1940
Architectural	1380	1730	2040	2120
Theatre	1580	1940	2230	2280
Stage 2	0	1100	0	1660



With this feature you can connect the fixtures to one another using the power cable input and output sockets.

NOTE: USE CAUTION WHEN POWER LINKING OTHER FIXTURES AS THE POWER CONSUMPTION OF OTHER MODEL FIXTURES MAY EXCEED THE MAX POWER OUTPUT ON THIS FIXTURE! CHECK SILK SCREEN FOR MAX AMPS.

Listed below are a few common problems the user may encounter, with solutions.

Unit not responding to DMX:

1. Check that the DMX cables are connected properly and are wired correctly (pin 3 is “hot”; on some other DMX devices pin 2 may be ‘hot’). Also, check that all cables are connected to the right connectors; it does matter which way the inputs and outputs are connected.

Due to fog residue, smoke, and dust cleaning the internal and external optical lenses must be carried out periodically to optimize light output.

1. Use normal glass cleaner and a soft cloth to wipe down the outside casing.
2. Clean the external optics with glass cleaner and a soft cloth every 20 days.
3. Always be sure to dry all parts completely before plugging the unit back in.

Cleaning frequency depends on the environment in which the fixture operates (i.e. smoke, fog residue, dust, dew).

MANUFACTURER'S LIMITED WARRANTY

- A. ADJ Products, LLC hereby warrants, to the original purchaser, ADJ Products, LLC products to be free of manufacturing defects in material and workmanship for a prescribed period from the date of purchase (see specific warranty period on reverse). This warranty shall be valid only if the product is purchased within the United States of America, including possessions and territories. It is the owner's responsibility to establish the date and place of purchase by acceptable evidence, at the time service is sought.
- B. For warranty service you must obtain a Return Authorization number (RA#) before sending back the product—please contact ADJ Products, LLC Service Department at 800-322-6337. Send the product only to the ADJ Products, LLC factory. All shipping charges must be pre-paid. If the requested repairs or service (including parts replacement) are within the terms of this warranty, ADJ Products, LLC will pay return shipping charges only to a designated point within the United States. If the entire instrument is sent, it must be shipped in its original package. No accessories should be shipped with the product. If any accessories are shipped with the product, ADJ Products, LLC shall have no liability whatsoever for loss of or damage to any such accessories, nor for the safe return thereof.
- C. This warranty is void if the serial number has been altered or removed; if the product is modified in any manner which ADJ Products, LLC concludes, after inspection, affects the reliability of the product; if the product has been repaired or serviced by anyone other than the ADJ Products, LLC factory unless prior written authorization was issued to purchaser by ADJ Products, LLC; if the product is damaged because not properly maintained as set forth in the instruction manual.
- D. This is not a service contract, and this warranty does not include maintenance, cleaning or periodic check up. During the period specified above, ADJ Products, LLC will replace defective parts at its expense with new or refurbished parts, and will absorb all expenses for warranty service and repair labor by reason of defects in material or workmanship. The sole responsibility of ADJ Products, LLC under this warranty shall be limited to the repair of the product, or replacement thereof, including parts, at the sole discretion of ADJ Products, LLC. All products covered by this warranty were manufactured after August 15, 2012, and bear indentifying marks to that effect.
- E. ADJ Products, LLC reserves the right to make changes in design and/or improvements upon its products without any obligation to include these changes in any products theretofore manufactured.

No warranty, whether expressed or implied, is given or made with respect to any accessory supplied with products described above. Except to the extent prohibited by applicable law, all implied warranties made by ADJ Products, LLC in connection with this product, including warranties of merchantability or fitness, are limited in duration to the warranty period set forth above. And no warranties, whether expressed or implied, including warranties of merchantability or fitness, shall apply to this product after said period has expired. The consumer's and/or Dealer's sole remedy shall be such repair or replacement as is expressly provided above; and under no circumstances shall ADJ Products, LLC be liable for any loss or damage, direct or consequential, arising out of the use of, or inability to use, this product.

This warranty is the only written warranty applicable to ADJ Products, LLC Products and supersedes all prior warranties and written descriptions of warranty terms and conditions heretofore published.

MANUFACTURER'S LIMITED WARRANTY PERIODS:

- **Non L.E.D. Lighting Products = 1-year (365 days) Limited Warranty** (Such as: Special Effect Lighting, Intelligent Lighting, UV lighting, Strobes, Fog Machines, Bubble Machines, Mirror Balls, Par Cans, Trussing, Lighting Stands etc. excluding LED and lamps)
- **Laser Products = 1 Year (365 Days) Limited Warranty** (excluding laser diodes which have a 6 month limited warranty)
- **L.E.D. Products = 2-year (730 days) Limited Warranty** (excluding batteries which have a 180 day limited warranty).
Note: 2 Year Warranty only applies to purchases within the United States.
- **StarTec Series = 1 Year Limited Warranty** (excluding batteries which have a 180 day limited warranty).
- **ADJ DMX Controllers = 2 Year (730 Days) Limited Warranty**

Voltage:	100V ~ 240V/50~60Hz
LED:	19 x 20W Osram RGBW (4-in-1) LEDs
LED Life:	20,000 Hour Average LED Life*
Working Position:	Any safe working position
Power Draw:	285W
Weight:	20.7 lbs./ 9.4 Kgs.
Dimensions:	12.1" (L) x 7.7" (W) x 15.5" (H) 306.6 x 195 x 393.3mm
DMX Channels:	4 DMX Modes: 12/16/28/44 (Version \leq 1.2) 5 DMX Modes: 13/14/17/29/45 (Version \leq 1.6)
Warranty:	2 Year (730 days)
Ratings / Approvals:	ETL Approved

* May vary depending on several factors including but not limited to:
Environmental Conditions, Power/Voltage, Usage Patterns (On-Off Cycling), Control, and Dimming.

Please Note: Specifications and improvements in the design of this unit and this manual are subject to change.