

# AT-LP3

## User Manual

Fully Automatic Belt-Drive Turntable

## Manuel de l'utilisateur

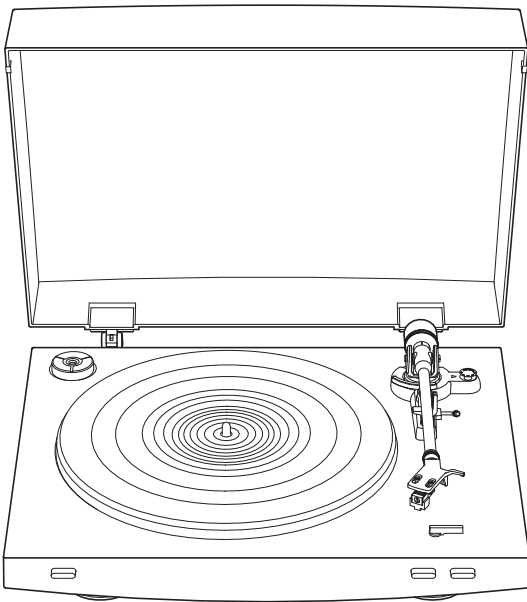
Tourne-disque à entraînement par courroie  
entièrement automatique

## Manual de usuario

Tocadiscos de transmisión por correa  
totalmente automático

## Manual do Usuário

Toca-discos acionado por correa  
totalmente automático



### **IMPORTANT:**

*Turntable belt needs to be attached or turntable will not operate. See page 6 for instructions.*

*For assistance, contact our Audio Solutions Department at 330-686-2600 x5000 or [audio-solutions@atus.com](mailto:audio-solutions@atus.com).*

---

## Introduction

---

Thank you for purchasing this Audio-Technica product.

Read through this user manual before using the product to ensure its correct use. Also, keep this manual, along with the warranty, for future reference.

This product is only for use in the following countries. Make sure that the operating voltage of the product is correct for the country you live in.

Country list: USA, Canada

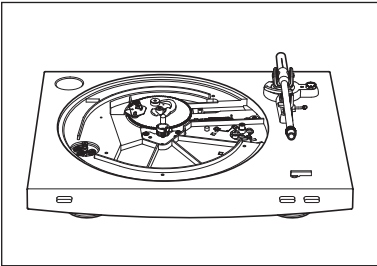
---

## Package contents

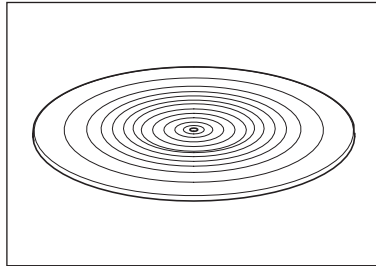
---

Make sure that you have all the included items listed below before using this product.

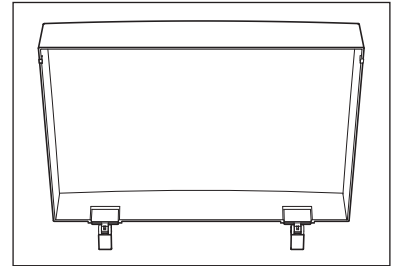
If some items are missing or damaged, contact your local Audio-Technica dealer.



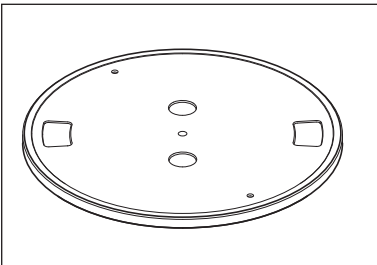
• Turntable body



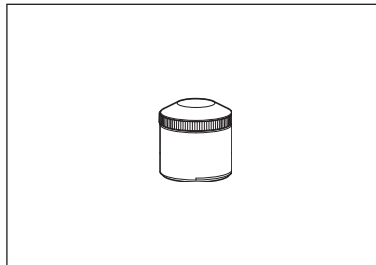
• Rubber mat



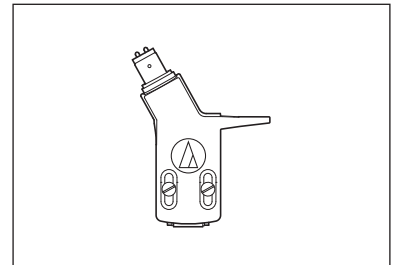
• Dust cover



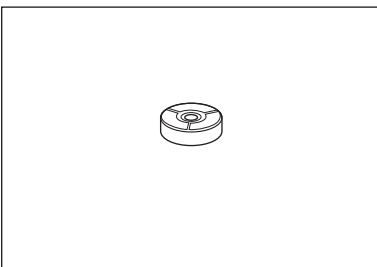
• Platter (with drive belt)



• Counterweight



• Headshell (AT-HS3) with VM stereo cartridge (AT91R)



• 45 RPM adapter

- Power cable
- User manual (this document)

After purchase, we suggest that you save all packaging materials for possible future storage, moving, or shipping.

# Safety precautions

## Important information

### Warning:

To prevent fire or shock hazard, do not expose this apparatus to rain or moisture.

### Caution:

Do not expose this apparatus to drips or splashes.

To avoid electric shock, do not open the cabinet.

Refer servicing to qualified personnel only.

Do not expose this apparatus to excessive heat such as sunshine, fire or the like.

Do not subject this apparatus to strong impact.

This apparatus should be located close enough to the AC outlet so that you can easily grasp the power cord plug at any time.

In case of emergency, disconnect the power cord plug of this apparatus quickly.

Do not place any objects filled with liquids, such as vases, on this apparatus.

To prevent fire, do not place any naked flame sources (such as lighted candles) on this apparatus.

Do not install this apparatus in a confined space such as a bookcase or similar unit.

To install this apparatus only in the place where ventilation is good.

## Important safety instructions

1. Read these instructions.
2. Keep these instructions.
3. Heed all warnings.
4. Follow all instructions.
5. Do not use this apparatus near water.
6. Clean only with a dry cloth.
7. Do not block any of the ventilation openings. Install in accordance with the manufacturer's instructions.
8. Do not install near any heat sources such as radiators, heat registers, stoves, or other apparatus (including amplifiers) that produce heat.
9. Do not defeat the safety purpose of the polarized or grounding plug. A polarized plug has two blades with one wider than the other. A grounding plug has two blades and a third grounding prong. The wide blade or the third prong is provided for your safety. If the provided plug does not fit into your outlet, consult an electrician for replacement of the obsolete outlet.
10. Protect the power cord from being walked on or pinched particularly at plugs, convenience receptacles, and the point where they exit from the apparatus.
11. Only use attachments/accessories specified by the manufacturer.
12. Use only with a cart, stand, tripod, bracket or table specified by the manufacturer, or sold with the apparatus. When a cart is used, use caution when moving the cart/apparatus combination to avoid injury from tip-over.
13. Unplug this apparatus during lightning storms or when unused for long periods of time.
14. Refer all servicing to qualified service personnel. Servicing is required when the apparatus has been damaged in any way, such as power-supply cord or plug is damaged, liquid has been spilled or objects have fallen into the apparatus, the apparatus has been exposed to rain or moisture, does not operate normally, or has been dropped.



## For customers in the USA/Canada

	<b>CAUTION</b> <b>RISK OF ELECTRIC SHOCK</b> <b>DO NOT OPEN</b>	
<b>Caution:</b> To prevent electric shock, do not remove the cover. There are no user-serviceable parts inside. Internal adjustments are for qualified professionals only. Refer all servicing to qualified service personnel.		

	The lightning flash with arrowhead symbol, within an equilateral triangle, is intended to alert the user to the presence of uninsulated "dangerous voltage" within the product's enclosure that may be of sufficient magnitude to constitute a risk of shock to persons.
--	--

	The exclamation point symbol within an equilateral triangle is intended to alert the user to the presence of important operating and maintenance (servicing) instructions in the literature accompanying the product.
--	---

## FCC Notice

### Warning:

This device complies with Part 15 of the FCC Rules. Operation is subject to the following two conditions: (1) This device may not cause harmful interference, and (2) this device must accept any interference received, including interference that may cause undesired operation.

### Caution:

You are cautioned that any changes or modifications not expressly approved in this manual could void your authority to operate this equipment.

Note: This equipment has been tested and found to comply with the limits for a Class B digital device, pursuant to part 15 of the FCC Rules. These limits are designed to provide reasonable protection against harmful interference in a residential installation. This equipment generates, uses and can radiate radio frequency energy and, if not installed and used in accordance with the instructions, may cause harmful interference to radio communications. However, there is no guarantee that interference will not occur in a particular installation. If this equipment does cause harmful interference to radio or television reception, which can be determined by turning the equipment off and on, the user is encouraged to try to correct the interference by one or more of the following measures:

- Reorient or relocate the receiving antenna.
- Increase the separation between the equipment and receiver.
- Connect the equipment into an outlet on a circuit different from that to which the receiver is connected.
- Consult the dealer or an experienced radio/TV technician for help.

### IC statement:

CAN ICES-3 (B)/NMB-3(B)

---

---

## Notes on use

---

### Turntable body

- Do not set and use the product in locations that are considerably hot or humid, dirty, or subject to extreme vibrations.
- The product should be positioned on a flat, level surface.

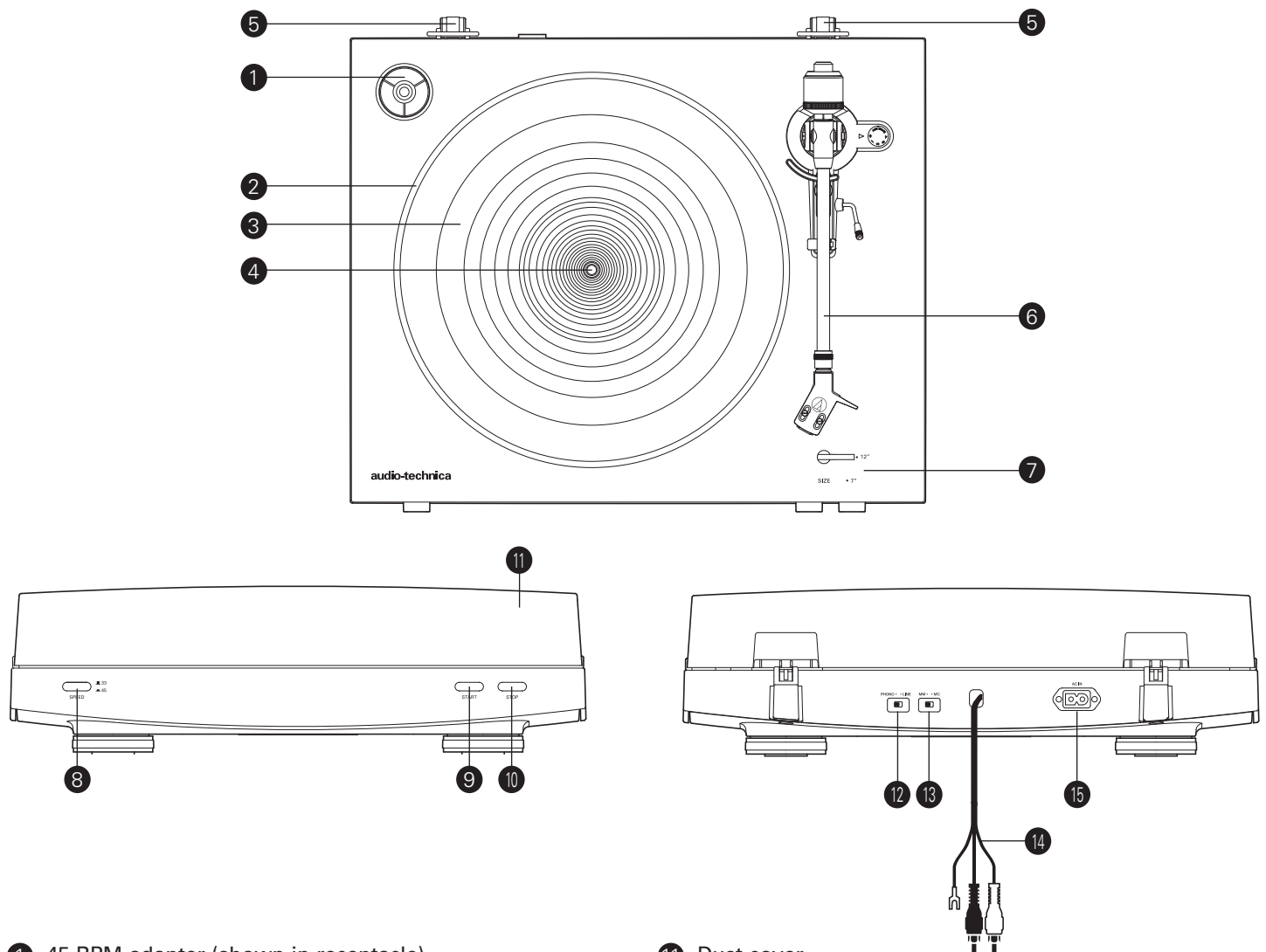
### Cartridge

- Attach the provided protector to the cartridge when the product is not in use.
- Do not touch the stylus of the cartridge with your finger.
- Do not allow the stylus to bump against the platter, rubber mat, or edge of the record.



# Part names and functions

## Overall diagram



**1 45 RPM adapter (shown in receptacle)**

Select the platter speed (33-1/3 or 45 RPM).

**2 Platter**

**3 Rubber mat**

**4 Spindle**

**5 Dust cover hinge holders**

Attachment points for dust cover hinges.

**6 Tonearm part**

For details, refer to "Tonearm" on p. 5.

**7 Size selector**

Switch between 12" and 7", according to the size of the record.

**8 Platter speed button**

Select the platter speed (33-1/3 or 45 RPM).

**9 START button**

Spins the platter and moves the tonearm.

**10 STOP button**

Returns the tonearm to its original position and stops the platter.

**11 Dust cover**

**12 Pre-amplifier selector switch**

If using an amplifier with a PHONO input jack, set this switch to the PHONO position. If connecting to the AUX jack of an amplifier, set this switch to the LINE position.

**13 MM (VM)/MC cartridge selector switch**

If using an MM (VM) cartridge, set this switch to the MM position. If using an MC cartridge, set this switch to the MC position.

**14 RCA audio cable (with grounding wire)**

Connect to PHONO input jack (grounding wire to ground terminal, if available) or AUX (LINE) input jack of a receiver, amplifier or other connectable equipment.

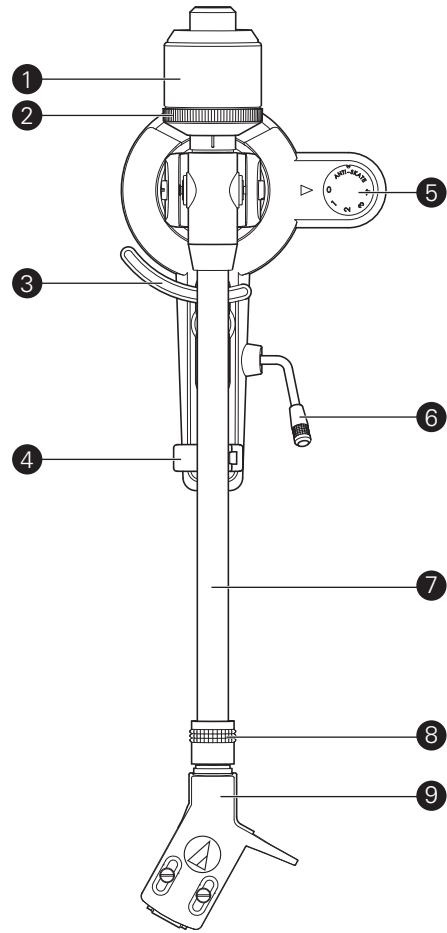
**15 AC inlet**

Insert the power cable here.

## Part names and functions

### Tonearm

- 1 **Counterweight**  
Balances the tonearm and adjusts to provide the proper tracking force.
- 2 **Tracking force gauge ring**  
Use to adjust the tracking force.
- 3 **Tonearm lift**  
Moves the tonearm vertically to and from the face of the record.
- 4 **Tonearm rest**
- 5 **Anti-skate control dial**  
While the record is playing, a force acts on the stylus tip to pull it inward. This force can be counteracted by setting the same values for anti-skate and the tracking force.
- 6 **Tonearm lift control lever**  
Operates the tonearm lift.
- 7 **Tonearm**
- 8 **Locking ring**  
Rotate the ring to the left (counterclockwise) to secure the headshell. To remove the headshell, rotate the ring to the right.
- 9 **Headshell and cartridge**  
The cartridge (AT91R) is mounted to the headshell (AT-HS3).



# Preparation for use

## Installing the turntable

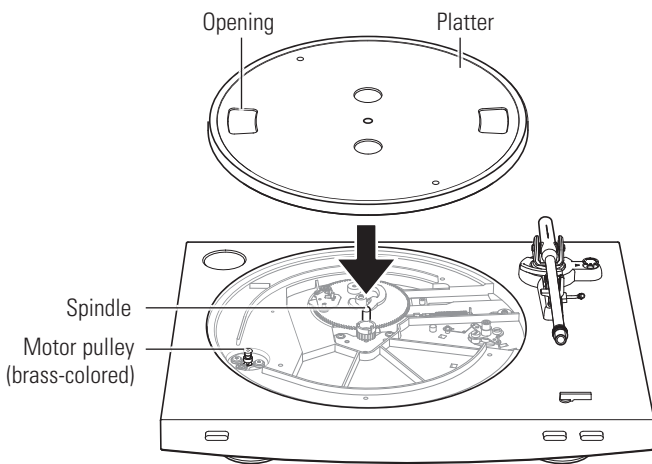
- Mount the product on a level surface.
- To avoid the effects of vibrations and acoustic pressure, do not mount the product next to such items as speakers.
- The product may pick up radio static if placed next to a radio. Therefore, try to keep the product away from radios.
- If the product is near equipment (cell phone, etc.) that emits strong radio waves, noise may occur.

## Placing the platter and the rubber mat

This product requires some assembly before using it for the first time. Do not connect the power cable until assembly is complete.

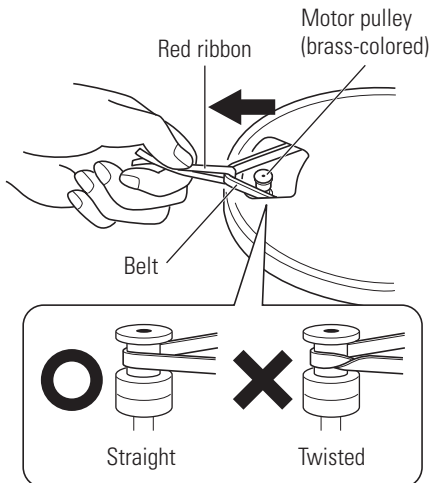
### 1. Set the platter on the spindle.

- Make certain that the platter is fully seated on the spindle.

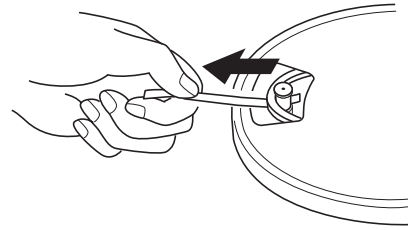


### 2. Place the belt on the motor pulley (brass-colored).

- Align one of the platter openings with the brass motor pulley, and, while pulling both ends of the red ribbon that comes attached to the belt, place the belt on the motor pulley, as per the diagram. When doing this, be careful not to twist the belt.

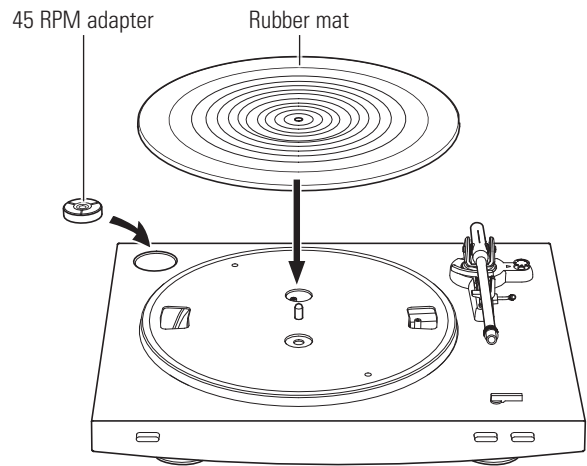


### 3. Remove the red ribbon from the belt.



### 4. Set the rubber mat on the platter.

- After setting the rubber mat, put the 45 RPM adapter into the space made for it on the upper left.

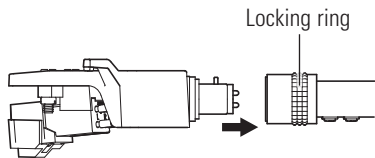


# Preparation for use

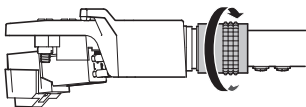
## Assembling the tonearm

### 1. Insert the headshell into the locking ring.

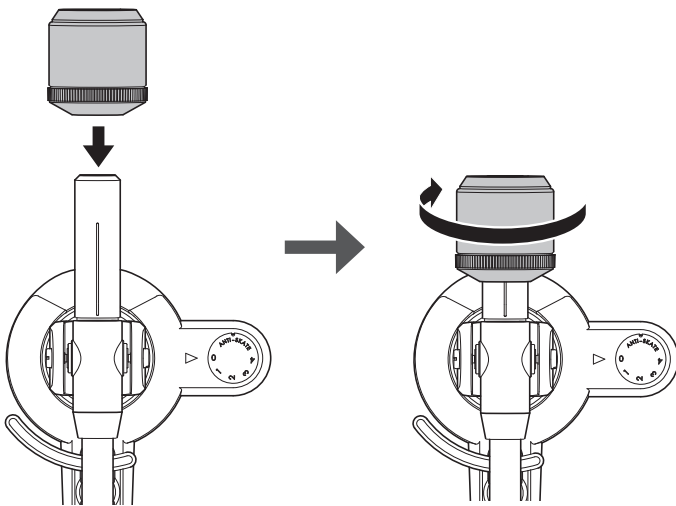
- Hold the right and left edges of the headshell so that you do not damage the stylus or cut the cartridge's wires.



### 2. With the headshell inserted, turn the locking ring counterclockwise (to the left).



### 3. With the tracking force gauge ring facing forward, attach the counterweight to the back of the tonearm, and slowly turn it counterclockwise (to the left).



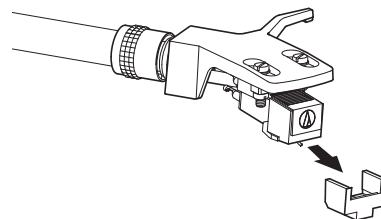
## Tonearm balance and tracking force

In order for the cartridge to pick up sound correctly from the record's grooves, the tonearm's balance and tracking force must be adjusted to fit the specifications of the cartridge. If the tonearm's balance and tracking force are not properly adjusted, the record or the cartridge's stylus may become damaged.

- Do not drag the cartridge's stylus across the record or rubber mat when adjusting the tonearm's balance or tracking force. Doing so may damage the stylus.

## Setting tonearm balance

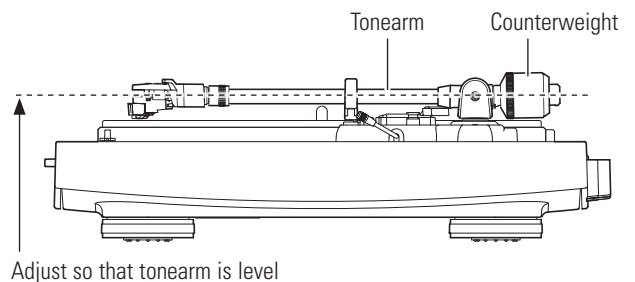
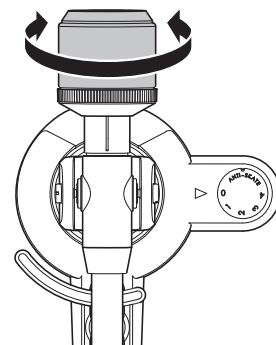
### 1. Remove the cartridge's protector.



### 2. While holding headshell, remove the cable tie used to secure the tonearm at the time of delivery.

### 3. While still lightly holding the headshell, turn the counterweight to adjust the tonearm's balance.

- Adjust the balance so that the tonearm is level when you release the headshell.

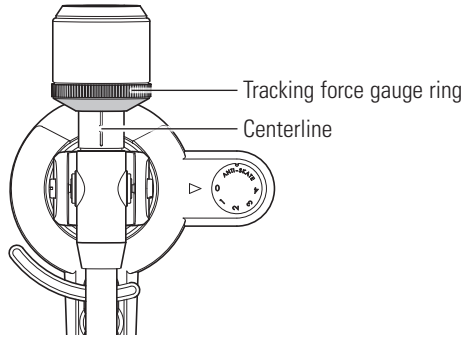


### 4. Return the tonearm to the tonearm rest.

# Preparation for use

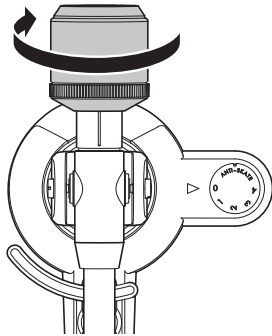
## Setting tracking force

1. While supporting the counterweight so that it does not move, turn the tracking force gauge ring so that its "0" position lines up with the centerline on the back of the tonearm (the tracking force is not adjusted simply by turning the tracking force gauge ring).



2. Turn the counterweight and the tracking force gauge ring together counterclockwise until the centerline value matches the recommended tracking force value for the cartridge you are using.

- Refer to the cartridge maker's specifications for the recommended tracking force value.
- The tracking force value for the cartridge provided with this product is 2.0 g.

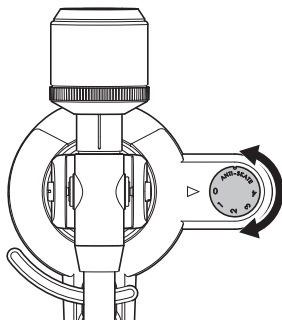


## Setting the anti-skate adjustment

While the record is playing, a force acts on the stylus tip to pull it inward. This force can be counteracted by setting the same values for anti-skate and the tracking force.

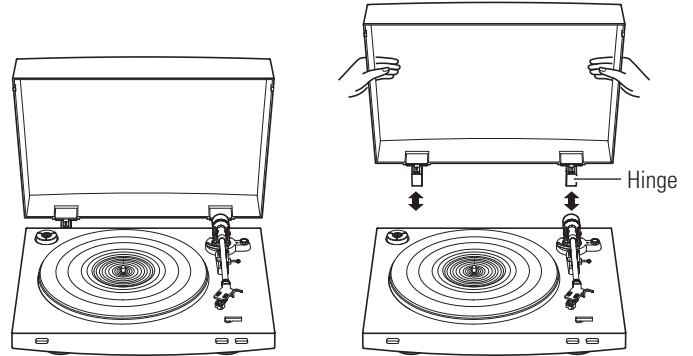
1. Adjust the anti-skate control dial to have the same value as the tracking force value.

- The tracking force value for the cartridge provided with this product is 2.0 g.



## Installing/removing the dust cover

When attaching the dust cover, insert the hinges of the dust cover into the two dust cover hinge holders on the back of the body. When removing the dust cover, slowly pull the dust cover out from the dust cover hinge holders.



## Setting MM (VM)/MC Cartridge Selector Switch

If using a moving magnet (MM or VM) cartridge, set this switch to the MM position. If using a moving coil (MC) cartridge, set this switch to the MC position.

- This switch is set to the MM position at the time of purchase. This is the correct setting for the AT91R VM stereo cartridge included with the product.

## Setting pre-amplifier selector switch

This product has a built-in phono equalizer function. You can use the product, even if you do not have a phono amplifier or connectable equipment with a built-in phono amplifier.

Use the pre-amplifier selector switch to set the output, as shown below.

Connectable equipment being used	Position of pre-amplifier selector switch	Where to connect RCA audio cable
Device with phono input	PHONO	Phono input jack and ground (earth) terminal of connectable equipment
Device without phono input	LINE	AUX or line input jack of connectable equipment
PC sound card	LINE	PC sound card's line input jack <sup>*1</sup>

<sup>\*1</sup>An audio adapter (sold separately) may be required to connect the RCA audio cable to the line input jack of the PC sound card.

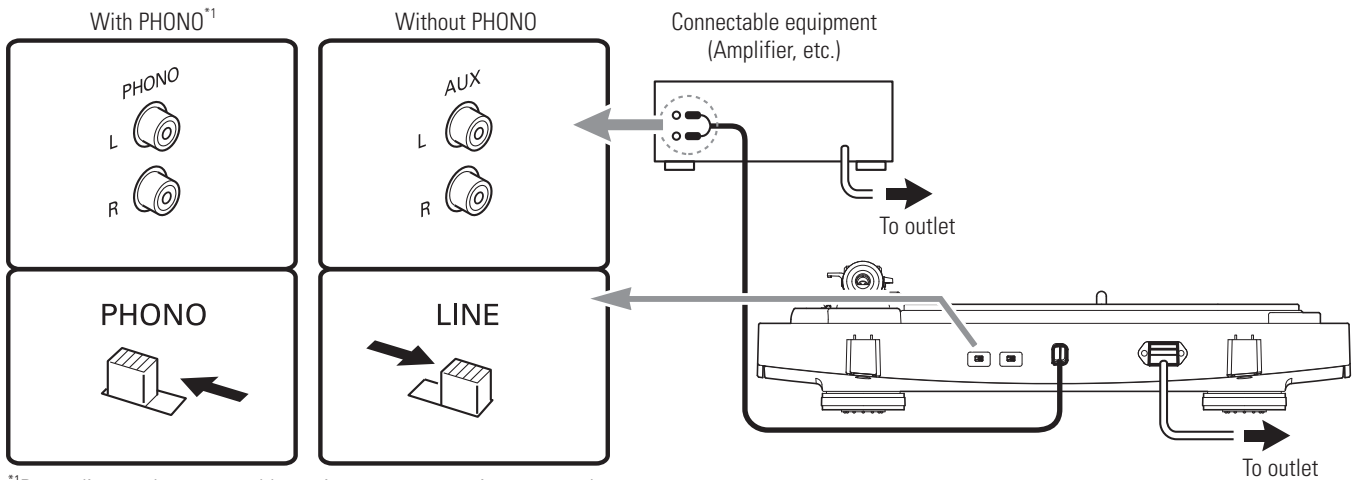
EN

## Preparation for use

### Connecting the device

Align the settings for the pre-amplifier selector switch and connect the RCA audio cable to an input jack that is compatible with the connectable equipment you are using (amplifier, receiver, active speakers, sound card, etc.).

- The RCA audio cable's red jack is for the right (R) channel, and the white jack is for the left (L) channel.

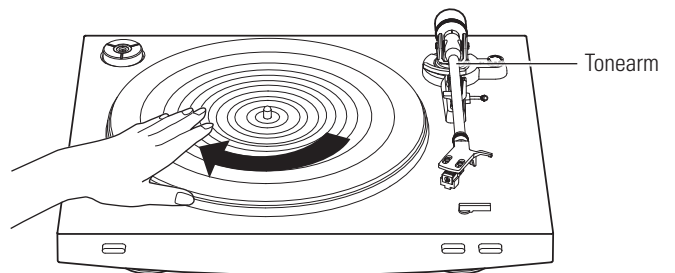


<sup>\*1</sup>Depending on the connectable equipment you are using, a ground (earth) terminal may be present near the phono input jack. If this is the case, connect the grounding wire of the RCA audio cable to it. This will help prevent a low humming noise that might otherwise be heard during playback.

### Rotating the platter

#### 1. Using your hands, rotate the platter ten times.

- Raise the tonearm lift control lever to lift the tonearm. Slowly rotate the turntable ten times by hand in the direction of the arrow.
- You may want to hold the tonearm to prevent it from moving. This step is for resetting the auto mechanism, getting rid of any twists in the belt and making sure the belt rides smoothly along the drive rim on the underside of the platter.

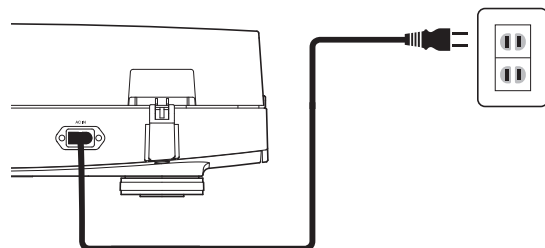


### Connecting the power cable

This product does not have a power switch. A standby current is always running through the product, even when it is not being used; disconnect the power cable plug from the outlet when not using the product for a long period of time.

#### 1. Connect the power cable plug to the outlet.

- For safety, raise the tonearm by lifting the tonearm lift control lever to the UP position.
- Connect the power cable plug to the outlet without removing the cartridge's protector. If the platter has rotated, press the STOP button without touching the tonearm, and then wait until the tonearm returns to its original position.
- If you play a record immediately after inserting the power cable, the sound that is played may be garbled. Wait a short time (about 30 seconds) after plugging the power cable plug into the outlet before playing a record.

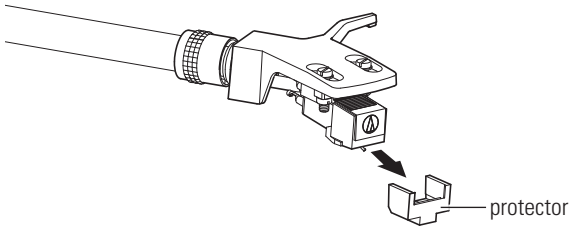


# Playing a record

## Before playing a record

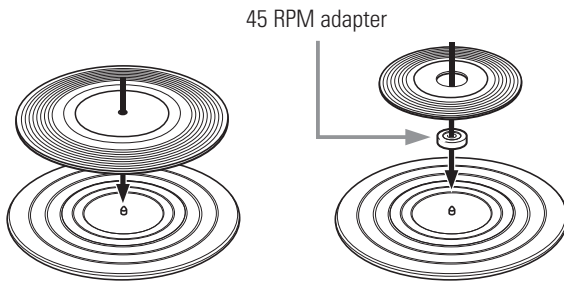
### 1. Remove the cartridge's protector.

- Pull the protector straight forward to remove it.
- Applying a downward force may cause the stylus to come off the body. Only low volume is output if the stylus has come off, or is about to come off, so refer to "Replacing the stylus" on p. 11 to reattach the stylus correctly.



### 2. Place the record on the rubber mat so that the center hole aligns with the spindle.

- If playing a 45 RPM record with a large center hole, attach the 45 RPM adapter (see the right side of the diagram below).

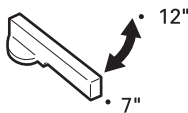


## Automatic operation

Lower the volume of the amplifier, speakers, etc. sufficiently.

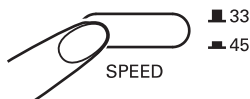
### 1. Select the size with the size selector.

- Select "12"" for an LP record with a 12" diameter, and "7"" for a 45 RPM record with a 7" diameter.



### 2. Press the speed with the platter speed button.

- Select "33" for a 33-1/3 RPM record, and "45" for a 45 RPM record.



### 3. Press the START button.

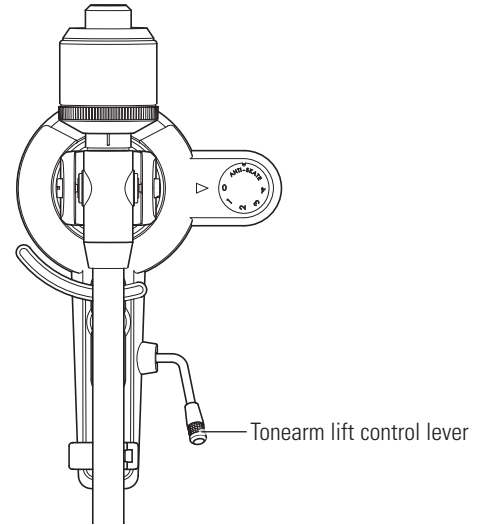
- Do not bump the product while the record is playing.
- Do not switch the record size selection while the record is playing. Doing either of these can cause the product to malfunction.



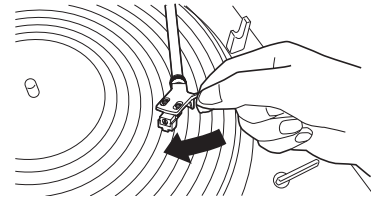
## Manual operation

Lower the volume of the amplifier, speakers, etc. sufficiently.

### 1. Raise the tonearm by lifting the tonearm lift control lever to the UP position.



### 2. Position the tonearm over the desired location (groove) on the record.



### 3. Lower the tonearm by moving the tonearm lift control lever to the DOWN position. The tonearm descends slowly onto the record and play begins.

- Alternatively, you can skip steps 1 to 3, and use the finger-lift on the headshell to position the tonearm over the desired location on the record. Carefully lower the tonearm to the record surface.
- Do not subject the product to strong impact during playback.

## Pausing the record

### 1. After lowering the volume of the amplifier, speakers, etc. sufficiently, lift the tonearm with the tonearm lift control lever.

## Playing a record

### Stopping the record

Once the record has been played until the end, the tonearm automatically returns to the tonearm rest.

To manually stop the record, do the following.

1. Lower the volume of the amplifier, speakers, etc. sufficiently.
2. Press the STOP button.
  - Once the record stops playing, the tonearm automatically returns to the tonearm rest.



3. Remove the record after the platter has come to a complete stop.

- When the tonearm reaches the end (center) of the record, it will automatically lift and return to the tonearm rest. Do not interfere with its motion. Doing so can cause the product to malfunction. If the tonearm does not lift and return to the tonearm rest, press the STOP button to complete this operation.
- If the rubber mat gets dirty, it can easily scratch the record, so remove the rubber mat periodically and wipe off any dust.
- To prevent the record from scratches and warping, remove it after use.
- Do not use a disk stabilizer.
- Do not use a platter other than the one provided.
- This product is not intended for DJs. Do not touch the record or the platter while the record is playing.

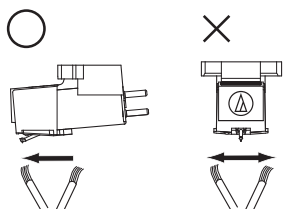
## Care

### Turntable body

- When the turntable body is dirty or dusty, first disconnect the power cable plug, and then wipe off the dirt and dust with a soft, dry cloth.
- Do not use benzenes, thinners, etc.
- When storing the product for a long time, disconnect the power cable plug from the outlet and wrap the equipment in plastic; do not allow it to become damp.

### Stylus tip

- If dirt and grime are stuck to the stylus tip, clean it with a commercially sold brush.
- We recommend using a stylus cleaner (sold separately) if the stylus tip is considerably dirty. Clean the stylus tip by moving the brush from the rear to the front of the stylus tip.

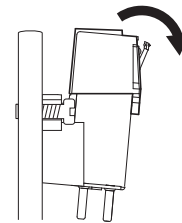


## Replacing the stylus

### Removing the stylus

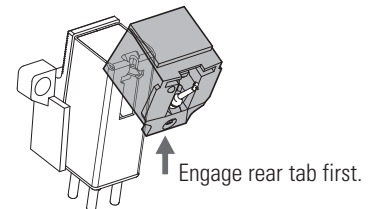
- In addition to the deterioration of sound quality, records may also be damaged as the cartridge's stylus tip wears down.
- As a rule of thumb, replace the stylus after 300 to 500 hours of use.
- Be sure to disconnect the product's power cable plug from the outlet.

1. Release the headshell from the tonearm.
  - Hold the tonearm tightly and then remove the headshell gently.
2. Remove the protector from the cartridge.
3. Remove the stylus by pulling in the direction of the arrow.



### Installing a new replacement stylus

1. Mount the new replacement stylus to the cartridge.



2. Mount the protector onto the cartridge.
3. Mount the headshell onto the tonearm.

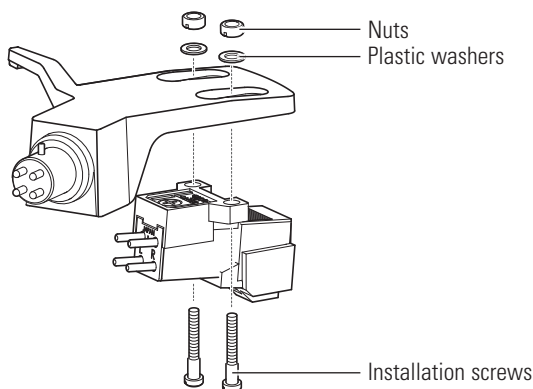


## Replacing a cartridge

### Replacing a new cartridge

Refer to the user manual for the cartridge that you will be using if you are replacing the cartridge (AT91R) included with this product with another, commercially sold cartridge. After you replace the old cartridge with a new one, you must readjust the overhang and the tonearm's balance and tracking force.

1. Release the headshell from the tonearm.
  - Hold the tonearm tightly and then remove the headshell gently.
2. Remove the stylus from the cartridge.
  - Refer to "Removing the stylus" on p. 11.
3. Remove the lead wires.
  - Be careful not to damage the lead wires.
4. Using a commercially sold, non-metallic slotted screwdriver, remove the installation screws, and then remove the cartridge from the headshell.
5. Refer to the user manual for the new cartridge for mounting instructions.

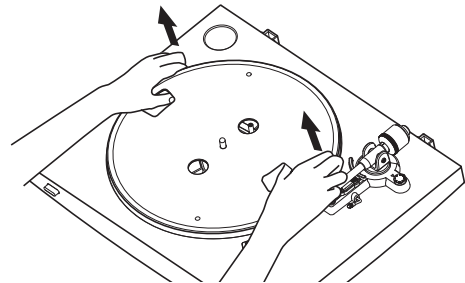


6. Using a commercially sold, non-metallic slotted screwdriver, tighten the screws in both places, and then adjust the overhang.
  - Refer to "Adjusting the overhang" on p. 13.
  - After the adjustments are complete, tighten the screws securely.
7. Attach the headshell to the tone arm.
8. Adjust the tonearm balance and tracking force.
  - Refer to "Tonearm balance and tracking force" on p. 7 to perform the readjustments.

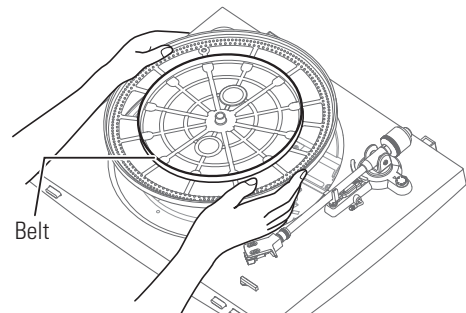
## Replacing the belt

- The belt is a consumable part. Replace the belt if the speed of playback slows down or irregular rotation occurs. As a rule of thumb, we suggest replacing the belt once a year.
- Before replacing the belt, be sure to disconnect the product's power cable plug from the outlet.

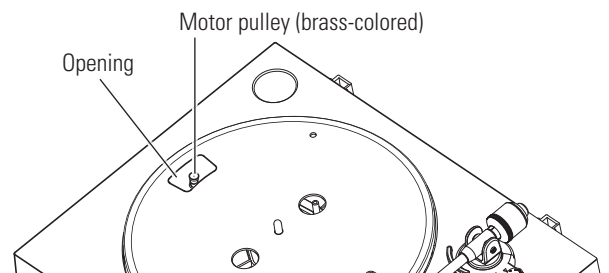
1. Remove the rubber mat.
2. Remove the platter, turn the platter over, and then remove the old belt.
  - Place your thumbs in the openings and pull up strongly.



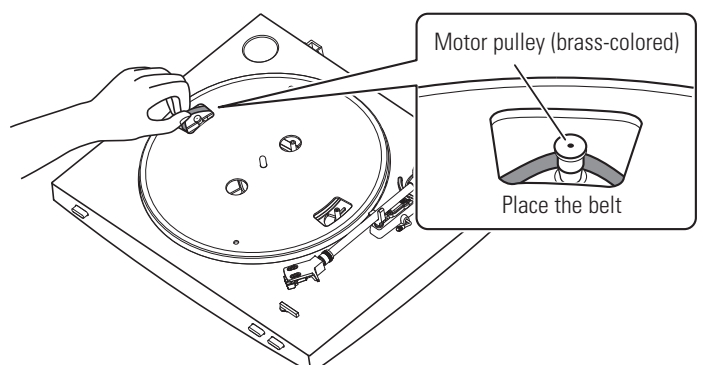
3. Place the new belt around the inner circle.
  - Be careful not to twist the belt while doing this.



4. Attach the platter.
  - Align one of the openings with the position of the motor pulley (brass-colored).



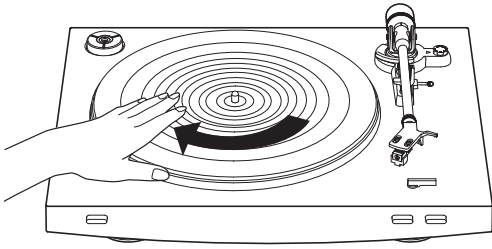
5. Place the belt on the motor pulley (brass-colored).
  - Grasp the belt that was attached in step 3 and, while pulling it, place it on the brass motor pulley.



## Replacing the belt

### 6. Using your hands, rotate the platter ten times.

- Raise the tonearm lift control lever to lift the tonearm. Slowly rotate the turntable ten times by hand in the direction of the arrow.



## When the turntable is moved

Using the product's original packing materials, wrap the turntable in the reverse order from when you unwrapped it. If you do not have the packaging materials, take the following measures:

- After disconnecting the power cable plug from the outlet, remove the rubber mat and platter, and then wrap them so that they do not get damaged.
- Use a string or something similar to tie the tonearm to the rest so that it does not move.
- Remove the counterweight.
- Remove the headshell from the tonearm with the protector attached to the cartridge, and then wrap the entire headshell assembly so that it does not get damaged.
- Wrap the turntable body with paper or a soft cloth so that it does not get damaged.

## Adjusting the overhang

The position of the cartridge must be accurately determined (adjusting the overhang) when mounting a cartridge or headshell other than the one provided.

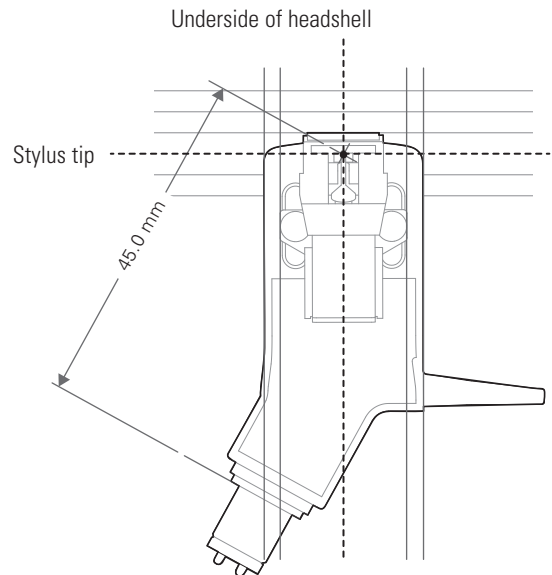
### 1. Mount the cartridge so it is parallel to the headshell.

- Match up the positions of the cartridge and headshell to the figure below and mount the cartridge so it is parallel to the headshell.

#### Overhang adjustment guide

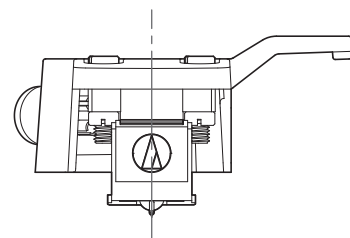
This illustration represents the actual size.

Place the headshell on the figure below, and then adjust the stylus tip of the new cartridge along the lines for the "Stylus tip" of the cartridge.



### 2. Mount the cartridge it is perpendicular to the top of the headshell.

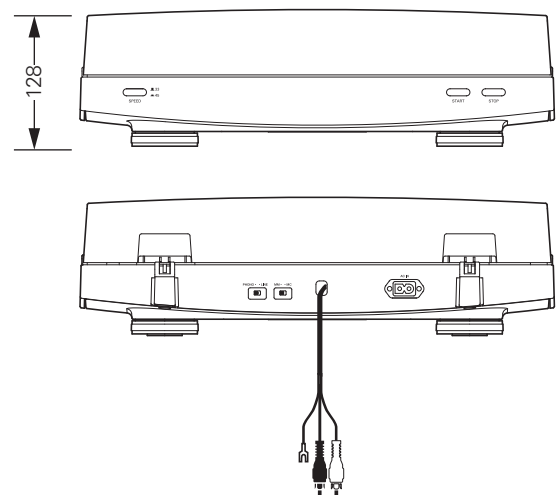
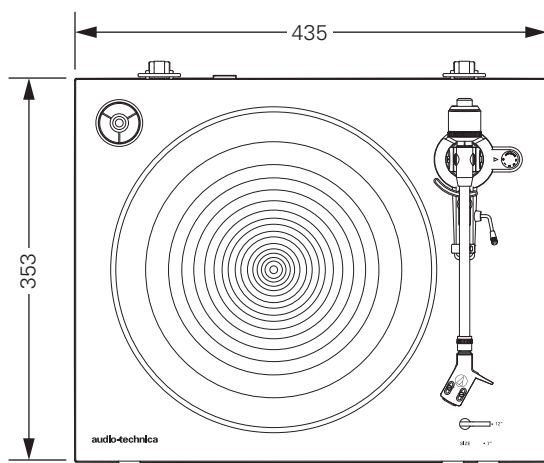
Front of headshell



# Troubleshooting

Problem	Solution
The platter does not spin.	<ul style="list-style-type: none"> <li>• Is the power cable plug connected to the outlet? Connect the power cable plug to the outlet.</li> <li>• Has the belt slipped from the platter? Correctly place the belt on the platter.</li> <li>• Is the belt placed on the motor pulley? Check that the belt is placed on the motor pulley (brass-colored) correctly.</li> <li>• Has the belt been damaged? Replace it with a new belt.</li> </ul>
The platter spins, but there is no sound or the volume is not loud enough.	<ul style="list-style-type: none"> <li>• Are the function settings and input for connected equipment (amplifier, etc.) selected correctly? Check whether the settings for the connected equipment are correct.</li> <li>• Is the stylus damaged? Check the stylus and replace it, if necessary.</li> <li>• Is the stylus placed correctly on the body of the cartridge? Check the cartridge and adjust it, if necessary.</li> <li>• Are the setting positions for the pre-amplifier selector switch correct? Check that the pre-amplifier settings are correct, noting the following common problems and their causes: <ul style="list-style-type: none"> <li>– If there is no sound, or if the volume is not loud enough, the product is set to the “PHONO” position and connected to the amplifier’s AUX/LINE input.</li> <li>– If the volume is too loud or is distorted, the product is set to the “LINE” position, and the connectable equipment is connected to the PHONO input.</li> </ul> </li> <li>• Is the tracking force set too heavy? Adjust the tracking force.</li> </ul>
The stylus skips.	<ul style="list-style-type: none"> <li>• Is the tracking force set too light? Adjust the tracking force.</li> <li>• Is the anti-skate set improperly? Verify anti-skate is set for same value as cartridge tracking force.</li> <li>• Is the record warped? Check the record.</li> <li>• Is the record scratched? Check the record.</li> </ul>
There is howling.	<ul style="list-style-type: none"> <li>• Is the product picking up excessive vibrations from the floor, surfaces of the walls, or nearby speakers? Decrease the vibrations or mount the product on a surface that is not subject to the effects of vibrations.</li> <li>• Is the product mounted on an unstable surface? Check whether the surface on which the product is mounted is suitable.</li> </ul>
There is noise when the record is playing.	<ul style="list-style-type: none"> <li>• Is there dust on the cartridge’s stylus tip? If dust is stuck to the stylus tip, clean it with a commercially sold brush.</li> </ul>
The sound when the record is playing is either too fast or too slow.	<ul style="list-style-type: none"> <li>• Are the speed settings for this product correct? Use the platter speed button to select the correct speed for the type of record being played.</li> </ul>
Playback speed slows down or there is irregular rotation.	<ul style="list-style-type: none"> <li>• Is the belt stretched out? Replace it with a new belt.</li> </ul>
Hum is heard during playback.	<ul style="list-style-type: none"> <li>• Is the ground line connected correctly? Make sure the ground line is properly connected.</li> <li>• Is the headshell attached to the tonearm firmly? Make sure the locking ring is tight.</li> </ul>

# Dimensions



(Unit: mm)

# Specifications

## Turntable specifications

Type	2-Speed, fully automatic operation
Motor	DC motor
Drive method	Belt drive
Speeds	33-1/3 RPM, 45 RPM
Turntable platter	Die-cast aluminium
Wow and flutter	< 0.2 % WRMS (33 RPM) at 3 kHz
Signal-to-noise ratio	> 60 dB
Outputs levels "PHONO" "LINE (MM)"	3.5 mV nominal at 1 kHz, 5 cm/sec 220 mV nominal at 1 kHz, 5 cm/sec
Phono Pre-amp gain (MM) Phono Pre-amp gain (MC)	36 dB nominal, RIAA equalized 56 dB nominal, RIAA equalized

## Tonearm specifications

Type	Static balanced straight shaped w/soft damping control
Effective length	221.5 mm
Overhang	19 mm
Maximum tracking error angle	Less than 3°
Stylus pressure adjustment range	1 to 4 g
Applicable cartridge weight range (including headshell)	14.5 to 20 g

## Cartridge and headshell specifications

Cartridge Model	AT91R
Cartridge Type	VM Dual Magnet
Recommended load impedance	47,000 ohms
Output voltage	3.5 mV (mV at 1 kHz, 5 cm/sec)
Stylus	0.6 mil bonded conical
Cantilever	Aluminum pipe
Tracking force range	1.5 to 2.5 g (standard 2.0 g)
Cartridge weight	5.0 g
Headshell model	AT-HS3
Headshell weight	11.1 g
Headshell overhang adjustment	8 mm

## General specifications

Power supply requirements	120 V / 60 Hz
Power consumption	2 W
Dimensions	435 mm (17.13")×353 mm (13.90")× 128 mm (5.04") (W×D×H)
Weight	5.4 kg (11.91 lbs)
Accessories included	Rubber mat, Dust cover, Platter (with drive belt), Counterweight, Headshell (AT-HS3) with VM stereo cartridge (AT91R), 45 RPM adapter, Power cable
Replacement stylus (sold separately)	ATN91R
Replacement headshell (sold separately)	AT-HS3
Replacement belt (sold separately)	AT-LP3 exclusive belt

Specifications are subject to change without notice due to improvements.



# Introduction

Nous vous remercions d'avoir fait l'acquisition de ce produit Audio-Technica.

Avant utilisation, merci de lire attentivement ce manuel pour vous assurer du bon usage du produit. De même, veuillez conserver ce manuel ainsi que la garantie pour consultations ultérieures.

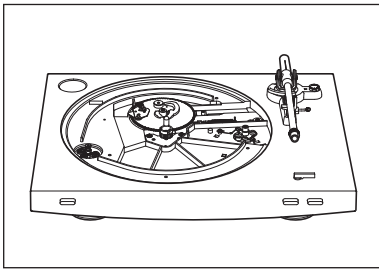
Ce produit n'est destiné qu'à une utilisation dans les pays suivants. Veuillez à ce que la tension d'utilisation du produit corresponde à celle utilisée dans le pays où vous vivez.

Liste des pays : États-Unis, Canada

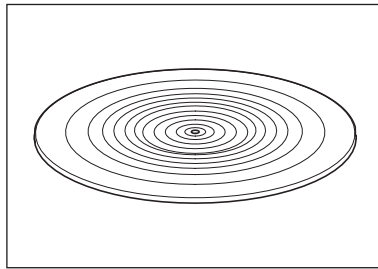
# Contenu de l'emballage

Assurez-vous que tous les articles inclus répertoriés sur la liste ci-dessous soient présents avant d'utiliser le produit.

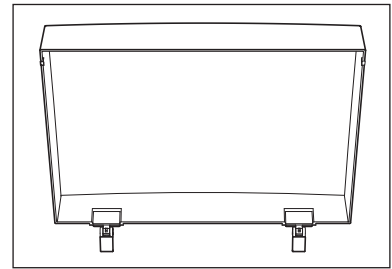
Si certains éléments sont manquants ou endommagés, contactez votre distributeur local Audio-Technica.



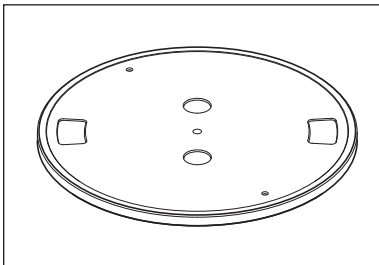
• Corps du plateau de la platine



• Tapis amortissant en caoutchouc



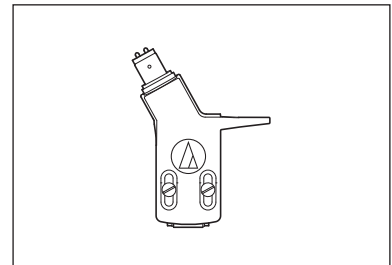
• Couverture anti-poussière



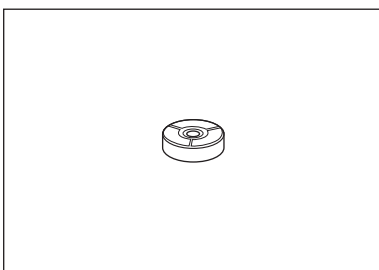
• Plateau (avec courroie d'entraînement)



• Contrepoids



• Porte-cellule (AT-HS3) avec cellule stéréo VM (AT91R)



• Adaptateur 45 tours

- Câble d'alimentation
- Manuel d'utilisation (ce document)

Après l'achat, nous vous suggérons de conserver tous les emballages pour un éventuel stockage, déménagement, ou transport.

# Consignes de sécurité

## Informations importantes

### Avertissement :

Pour éviter tout risque de choc électrique ou d'incendie, n'exposez pas cet appareil à la pluie ou à l'humidité.

### Mise en garde :

Protégez cet appareil des projections et des gouttes d'eau.

Pour éviter tout risque de choc électrique, n'ouvrez pas le boîtier.

Confiez tous travaux d'entretien à un technicien qualifié.

N'exposez pas cet équipement à des températures excessives, telles que celles de la lumière directe du soleil, d'une flamme ou autres.

Ne soumettez pas cet équipement à de forts impacts.

Placez l'appareil à proximité d'une prise de courant pour une utilisation aisée du câble d'alimentation.

En cas d'urgence, déconnectez immédiatement la prise du câble d'alimentation de l'appareil.

Ne placez pas d'objets remplis de liquides, tels que des vases, sur l'appareil.

Pour éviter tout risque d'incendie, ne placez pas de flammes nues (telles que des bougies allumées) sur l'appareil.

N'installez pas cet appareil dans un espace confiné tel qu'une étagère ou un endroit similaire.

Installez cet appareil uniquement dans des endroits avec une bonne ventilation.

## Consignes de sécurité importantes

1. Lisez ce mode d'emploi.
2. Conservez ce mode d'emploi.
3. Tenez compte de tous les avertissements.
4. Suivez toutes les instructions.
5. N'utilisez pas cet appareil à proximité d'eau.
6. Nettoyez-le uniquement avec un tissu sec.
7. N'obstruez aucun des orifices d'aération. Installez-le conformément aux instructions du fabricant.
8. Ne l'installez pas à proximité d'une source de chaleur comme un radiateur, une bouche d'air chaud, un poêle ou tout autre appareil (amplificateurs compris) générant de la chaleur.
9. Ne retirez en aucun cas le dispositif de sécurité de la fiche polarisée ou de la fiche de mise à la terre. Une fiche polarisée comporte deux lames dont une est plus large que l'autre. Une fiche de mise à la terre comporte deux lames ainsi qu'une broche de mise à la terre. La lame large ou la troisième broche assurent votre sécurité. Si la fiche fournie ne s'insère pas dans votre prise, consultez un électricien afin qu'il remplace cette dernière.
10. Évitez que le câble d'alimentation ne soit piétiné ou pincé en particulier au niveau des fiches, des prises de courant ou du point de sortie de l'appareil.
11. Utilisez uniquement des équipements/accessoires recommandés par le fabricant.
12. Utilisez uniquement un chariot, un pied, un trépied, un support ou une table recommandé par le fabricant ou fourni avec l'appareil. Lorsque vous utilisez un chariot, faites attention lors du déplacement chariot/appareil afin d'éviter toute blessure en cas de renversement.
13. Débranchez l'appareil en cas d'orage ou lorsqu'il n'est pas utilisé pendant une période prolongée.
14. Confiez toutes les tâches de réparation à un personnel technique qualifié. Une réparation est nécessaire si l'appareil a été endommagé d'une quelconque manière, par exemple si le câble ou la fiche d'alimentation a été endommagé, si un liquide y a été versé ou si des objets sont tombés à l'intérieur, si l'appareil a été exposé à la pluie ou à l'humidité, s'il ne fonctionne pas normalement ou s'il a subi une chute.



## Pour les clients aux États-Unis/Canada



**ATTENTION**  
**RISQUE D'ÉLECTROCUTION**  
**NE PAS OUVRIR**



**Attention :** Afin d'éviter toute électrocution, n'enlevez pas le couvercle. Aucune pièce à l'intérieur ne peut être réparée par l'utilisateur. Les réglages internes ne peuvent être effectués que par des professionnels qualifiés. Confiez toutes les tâches de réparation à un personnel technique qualifié.



L'éclair terminé par une flèche et inscrit dans un triangle équilatéral signale à l'utilisateur la présence d'une "tension électrique dangereuse" non isolée à l'intérieur du boîtier du produit d'un niveau suffisant pour présenter un risque d'électrocution.



Le symbole du point d'exclamation inscrit dans un triangle équilatéral signale à l'utilisateur la présence d'instructions importantes relatives au fonctionnement et à l'entretien (réparation) dans le manuel accompagnant cet appareil.

## Avertissement de la FCC

### Avertissement :

Cet appareil est conforme au point 15 du règlement FCC. Le fonctionnement est soumis aux deux conditions suivantes : (1) Cet appareil ne peut causer d'interférences nuisibles, et (2) cet appareil doit accepter toute interférence reçue, notamment celles pouvant entraîner un dysfonctionnement.

### Mise en garde :

Toute modification apportée à l'appareil et qui n'est pas expressément préconisée dans ce manuel invalide votre droit à utiliser cet appareil.

Remarque : Cet appareil a été testé et respecte les limitations d'un appareil numérique de classe B, conformément au point 15 du règlement FCC. Ces limitations sont conçues pour fournir une protection raisonnable contre les interférences nuisibles dans un environnement domestique. Cet équipement produit, utilise et peut émettre de l'énergie radio électrique, et s'il n'est pas installé et utilisé conformément aux instructions, il peut provoquer des interférences nuisibles aux communications radio. Il n'existe toutefois aucune garantie que de telles interférences ne se produiront pas dans une installation particulière. Si cet appareil cause des interférences nuisibles à la réception des signaux de radio ou de télévision, ce qui peut être détecté en mettant l'appareil sous et hors tension, l'utilisateur est invité à corriger ce problème en prenant une ou plusieurs des mesures suivantes :

- Réorientez ou repositionnez l'antenne de réception.
- Augmentez la distance séparant l'équipement et le récepteur.
- Branchez l'appareil sur un circuit différent de celui du récepteur.
- Contactez votre revendeur ou technicien radio/TV qualifié pour obtenir de l'aide.

### Déclaration IC :

CAN ICES-3 (B)/NMB-3(B)

---

## Remarques d'utilisation

---

### Corps du plateau de la platine

- Ne placez pas et n'utilisez pas le produit dans des endroits soumis à de fortes chaleurs ou une humidité élevée, très sales ou soumis à des vibrations extrêmes.
- Le produit doit être placé sur une surface plane et lisse.

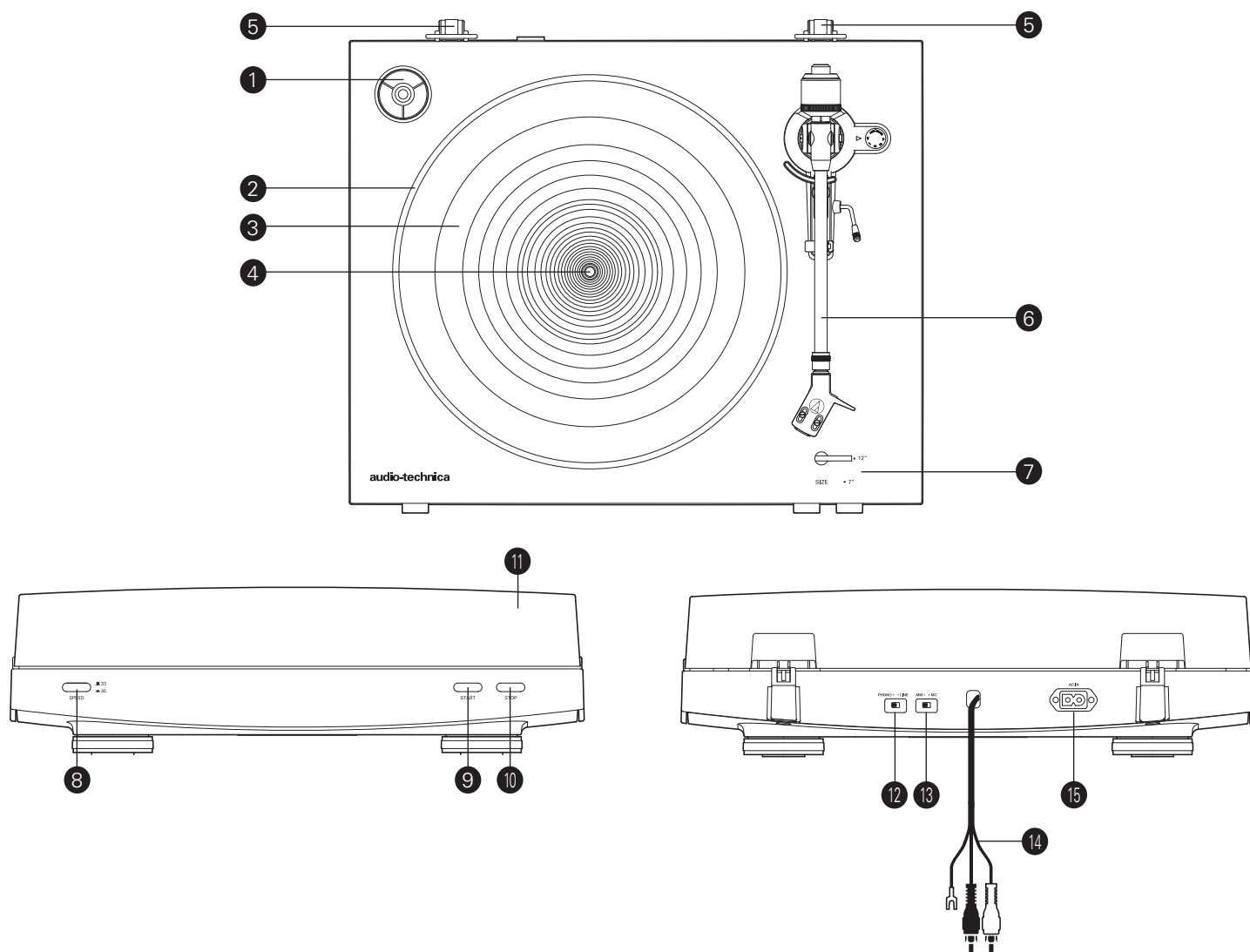
### Cellule

- Fixez la protection fournie sur la cellule lorsque le produit n'est pas utilisé.
- Ne touchez pas la pointe de lecture de la cellule avec votre doigt.
- Empêchez la pointe de lecture de percuter le plateau, le tapis amortissant en caoutchouc ou le bord du disque.



# Noms des pièces et fonctions

## Schéma de l'ensemble



**1** Adaptateur 45 tours (affiché dans le réceptacle)

Sélectionnez la vitesse du plateau (33-1/3 ou 45 tours).

**2** Plateau

**3** Tapis amortissant en caoutchouc

**4** Axe

**5** Supports de charnières du couvercle anti-poussière

Points de fixation pour les charnières du couvercle anti-poussière.

**6** Bras de lecture

Pour plus de détails, reportez-vous à la section "Bras de lecture" en p. 5.

**7** Sélecteur de taille

Permuter entre 12" et 7", en fonction de la taille du disque.

**8** Bouton de vitesse du plateau

Sélectionnez la vitesse du plateau (33-1/3 ou 45 tours).

**9** Bouton START

Fait tourner le plateau et déplace le bras de lecture.

**10** Bouton STOP

Replace le bras de lecture dans sa position d'origine et arrête le plateau.

**11** Couvercle anti-poussière

**12** Sélecteur de préamplificateur

Si vous utilisez un amplificateur avec une prise entrée PHONO, placez le sélecteur en position PHONO. En cas de connexion d'un amplificateur à la prise AUX, placez ce sélecteur sur la position LINE.

**13** Sélecteur de cellule MM (VM)/MC

Si vous utilisez une cellule MM (VM), placez ce sélecteur en position MM. Si vous utilisez une cellule MC, placez ce sélecteur en position MC.

**14** Câble audio RCA (avec câble de mise à la terre)

Raccordez la prise d'entrée PHONO (câble de mise à la terre à la borne de mise à la terre, si disponible) ou la prise d'entrée AUX (LINE) d'un récepteur, amplificateur ou autre équipement connecté.

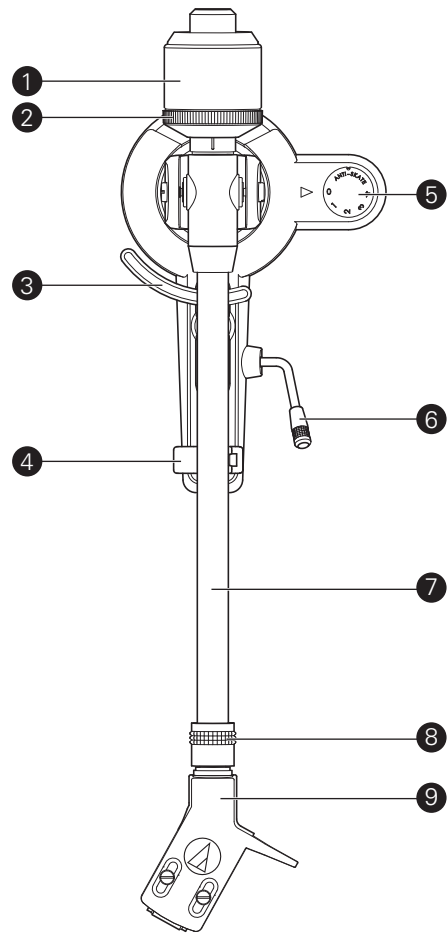
**15** Entrée d'alimentation

Insérez le câble d'alimentation ici.

# Noms des pièces et fonctions

## Bras de lecture

- 1 **Contrepoids**  
Équilibre le bras de lecture et permet un réglage pour obtenir la force d'appui adéquate.
- 2 **Bague de réglage de la force d'appui**  
Utilisez pour régler la force d'appui.
- 3 **Porte-bras de lecture**  
Déplace le bras de lecture verticalement vers et depuis la face du disque.
- 4 **Pose-bras de lecture**
- 5 **Cadran de contrôle anti-skating**  
Pendant la lecture du disque, une force agit sur la pointe de lecture pour la tirer vers l'intérieur. Cette force peut être contre-balançée en réglant les mêmes valeurs pour la force anti-skating et la force d'appui.
- 6 **Levier de commande de levage du bras de lecture**  
Soulève le bras de lecture.
- 7 **Bras de lecture**
- 8 **Bague de verrouillage**  
Tournez la bague vers la gauche (dans le sens anti-horaire) pour fixer le porte-cellule. Pour enlever le porte-cellule, tournez la bague vers la droite.
- 9 **Porte-cellule et cellule**  
La cellule (AT91R) est montée sur le porte-cellule (AT-HS3).



# Préparation pour l'utilisation

## Installation de la platine

- Montez le produit sur une surface plane.
- Pour éviter les effets de vibrations et la pression acoustique, ne montez pas le produit à côté d'éléments tels que des haut-parleurs.
- Le produit peut percevoir des parasites s'il est placé à côté d'une radio. Par conséquent, essayez de garder le produit éloigné des radios.
- Si le produit est proche d'équipements (téléphone portable, etc.) qui émettent de fortes perturbations de radio, des bruits parasites peuvent survenir.

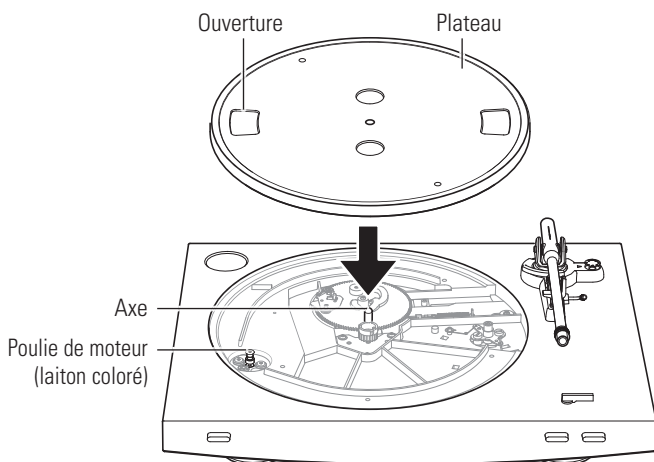
## Placement du plateau et du tapis amortissant en caoutchouc

Ce produit nécessite un peu de montage avant de l'utiliser pour la première fois.

Ne connectez pas le câble d'alimentation jusqu'à ce que le montage soit terminé.

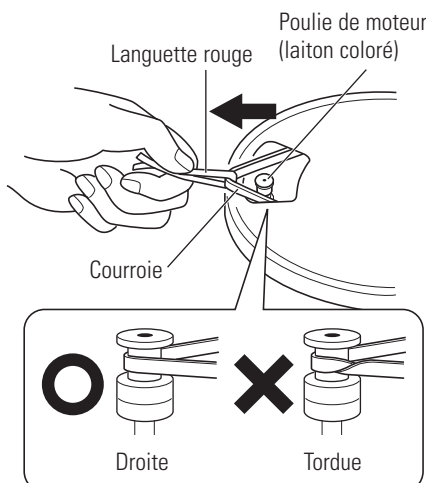
### 1. Placez le plateau sur l'axe.

- Assurez-vous que le plateau est correctement installé sur l'axe.

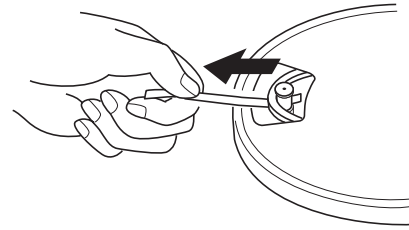


### 2. Placez la courroie sur la poulie du moteur (laiton coloré).

- Alignez une des ouvertures du plateau avec la poulie du moteur en laiton, et, tout en tirant les deux extrémités de la languette rouge qui est fixée sur la courroie, placez la courroie sur la poulie du moteur, selon le schéma. Tout en effectuant cette opération, veillez à ne pas tordre la courroie.

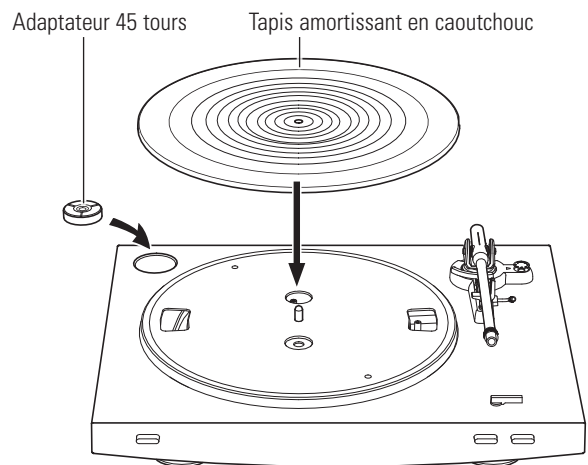


### 3. Déposez la languette rouge de la courroie.



### 4. Placez le tapis amortissant en caoutchouc sur le plateau.

- Après avoir placé le tapis amortissant en caoutchouc, placez l'adaptateur 45 tours dans l'espace prévu à cet effet dans le coin supérieur gauche.

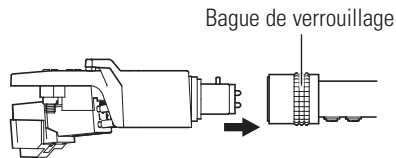


# Préparation pour l'utilisation

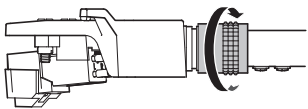
## Montage du bras de lecture

### 1. Insérez le porte-cellule dans la bague de verrouillage.

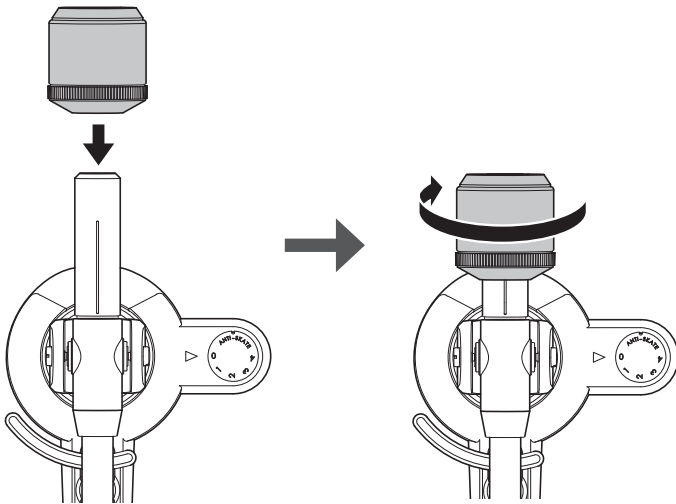
- Maintenez les bords gauche et droit du porte-cellule afin de ne pas endommager la pointe de lecture ou couper les fils de la cellule.



### 2. Une fois le porte-cellule inséré, tournez la bague de verrouillage dans le sens anti-horaire (vers la gauche).



### 3. Avec la bague de réglage de la force d'appui face vers l'avant, fixez le contre-poids à l'arrière du bras de lecture, et tournez-le lentement dans le sens anti-horaire (vers la gauche).



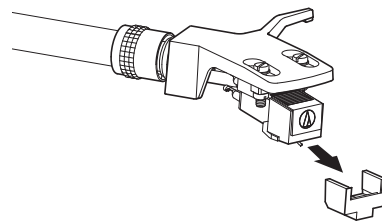
## Équilibre du bras de lecture et force d'appui

Afin que la cellule perçoive correctement le son des rainures du disque, l'équilibre du bras de lecture et la force d'appui doivent être réglés pour s'adapter aux spécifications de la cellule. Si l'équilibre du bras de lecture et la force d'appui ne sont pas correctement ajustés, le disque ou la pointe de lecture de la cellule peuvent s'endommager.

- Ne faites pas glisser la pointe de lecture de la cellule sur le disque ou le tapis amortissant en caoutchouc lors du réglage de l'équilibre du bras de lecture ou de la force d'appui. Dans un tel cas, la pointe de lecture peut s'endommager.

## Réglage de l'équilibre du bras de lecture

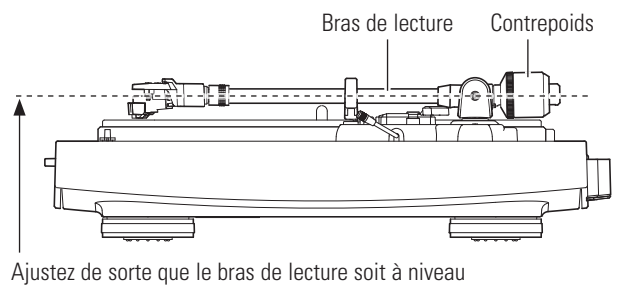
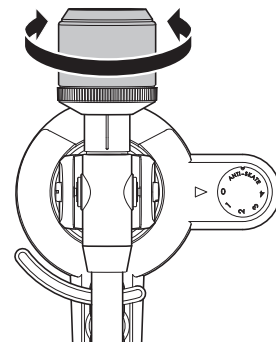
### 1. Retirez le protecteur de cellule.



### 2. Tout en maintenant le porte-cellule, déposez l'attache-câble utilisé pour fixer le bras de lecture au moment de la livraison.

### 3. Tout en tenant encore légèrement le porte-cellule, tournez le contre-poids pour régler l'équilibre du bras de lecture.

- Ajustez l'équilibre de sorte que le bras de lecture soit à niveau lorsque vous libérez le porte-cellule.

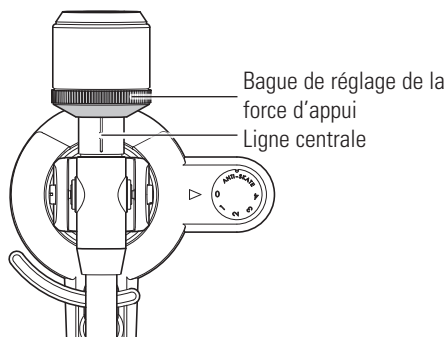


### 4. Reposez le bras de lecture sur le pose-bras de lecture.

# Préparation pour l'utilisation

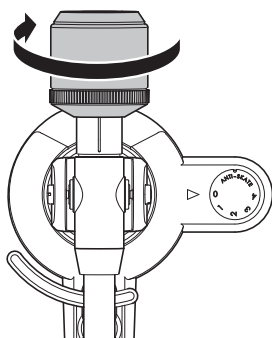
## Réglage de la force d'appui

1. Tout en maintenant le contrepoids afin qu'il ne bouge pas, tournez la bague de réglage de la force d'appui de sorte que sa position "0" s'aligne avec la ligne centrale à l'arrière du bras de lecture (la force d'appui n'est pas simplement réglée en tournant la bague de réglage de la force d'appui).



2. Tournez le contrepoids et la bague de réglage de la force d'appui dans le sens anti-horaire jusqu'à ce que la valeur de la ligne centrale corresponde à la valeur de la force d'appui pour la cellule utilisée.

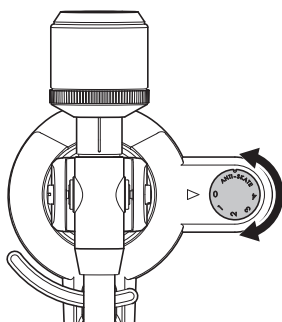
- Reportez-vous aux spécifications du fabricant de cellules en ce qui concerne la valeur de la force d'appui recommandée.
- La valeur de force d'appui pour la cellule fournie avec ce produit est de 2,0 g.



## Réglage de l'ajustement anti-skating

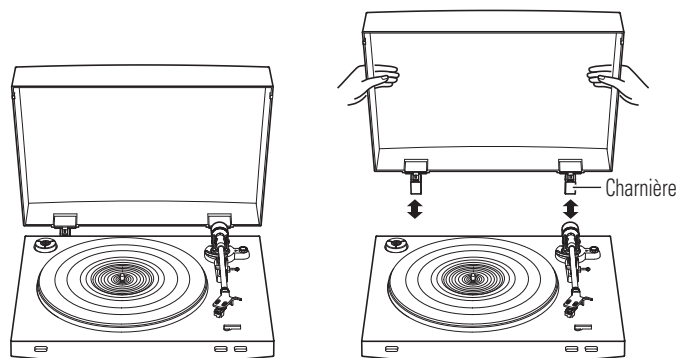
Pendant la lecture du disque, une force agit sur la pointe de lecture pour la tirer vers l'intérieur. Cette force peut être contre-balançée en réglant les mêmes valeurs pour la force anti-skating et d'appui.

1. Réglez le cadran de contrôle anti-skating pour avoir la même valeur que la valeur de force d'appui.
- La valeur de force d'appui pour la cellule fournie avec ce produit est de 2,0 g.



## Installation/dépose du couvercle anti-poussière

Lors de la fixation du couvercle anti-poussière, insérez les charnières du couvercle anti-poussière dans les deux supports de charnière à l'arrière du corps. Lors du retrait du couvercle anti-poussière, tirez doucement le couvercle anti-poussière hors des supports de charnière.



## Réglage du sélecteur de cellule MM (VM)/MC

Si vous utilisez une cellule à aimant mobile (MM ou VM), placez ce sélecteur en position MM. Si vous utilisez une cellule à bobine mobile (MC), placez ce sélecteur en position MC.

- Ce sélecteur est réglé sur la position MM au moment de l'achat. Il s'agit du réglage correct pour la cellule stéréo AT91R VM fournie avec le produit.

## Réglage du sélecteur de préamplificateur

Ce produit a une fonction d'égaliseur phono intégré. Vous pouvez utiliser le produit, même si vous n'avez pas d'amplificateur phono ou d'équipement connecté avec un amplificateur phono intégré.

Utilisez le sélecteur de préamplificateur pour régler la sortie, comme affiché ci-dessous.

Équipement connecté en cours d'utilisation	Position du sélecteur de préamplificateur	Où brancher le câble audio RCA
Appareil avec entrée phono	PHONO	Prise d'entrée phono et borne de mise à la masse (terre) de l'équipement connecté
Appareil sans entrée phono	LINE	AUX ou prise d'entrée LINE de l'équipement connecté
Carte son de PC	LINE	Prise d'entrée LINE de carte son de PC <sup>*1</sup>

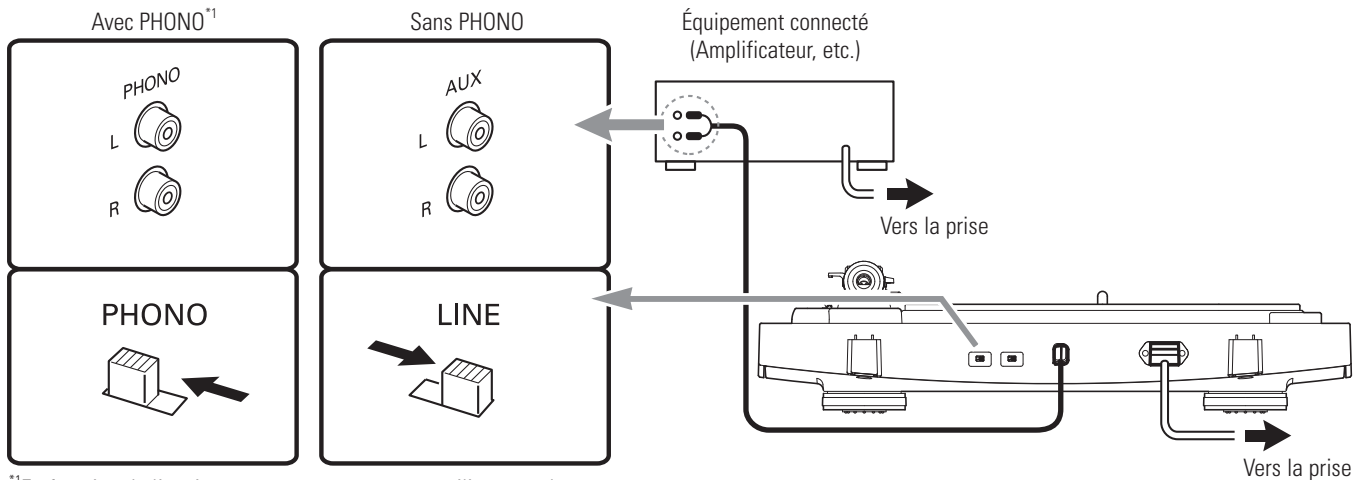
<sup>\*1</sup>Un adaptateur audio (vendu séparément) sera peut-être nécessaire pour brancher le câble audio RCA à la prise d'entrée LINE de la carte son du PC.

# Préparation pour l'utilisation

## Raccordement de l'appareil

Alignez les réglages pour le sélecteur de préamplificateur et branchez le câble audio RCA à une prise d'entrée qui est compatible avec l'équipement connecté utilisé (amplificateur, récepteur, haut-parleurs actifs, carte son, etc.).

- La prise rouge du câble audio RCA correspond au canal droit (R), et la prise blanche correspond au canal gauche (L).

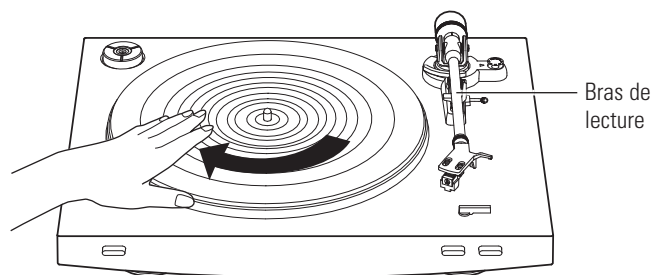


\*\*En fonction de l'équipement connecté que vous utilisez, une borne de masse (terre) devra peut-être être présente à proximité de la prise d'entrée phono. Si tel est le cas, raccordez le câble de masse du câble audio RCA à ce dernier. Cela empêchera un faible bourdonnement qui pourrait sinon être entendu pendant la lecture.

## Rotation du plateau

### 1. Faites tourner dix fois le plateau en vous aidant de vos mains.

- Soulevez le levier de commande du bras de lecture. Faites tourner lentement, à la main, la platine à dix reprises dans le sens de la flèche.
- Veuillez maintenir le bras de lecture pour éviter qu'il ne bouge. Cette étape permet de réinitialiser le mécanisme automatique, de vous débarrasser des torsades dans la courroie et de vous assurer que la courroie roule en douceur le long du bord d'entraînement sous plateau.

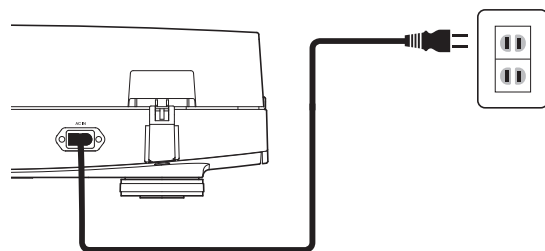


## Raccordement du câble d'alimentation

Ce produit n'a pas d'interrupteur d'alimentation. un courant de veille parcourt en permanence le produit, même lorsqu'il n'est pas utilisé ; débranchez la fiche du câble d'alimentation de la prise lorsque le produit n'est pas utilisé pendant une longue période de temps.

### 1. Branchez la fiche du câble d'alimentation à la prise.

- Pour une question de sécurité, soulevez le bras de lecture en levant le levier jusqu'à la position "UP".
- Branchez la fiche du câble d'alimentation à la prise sans enlever la protection de la cellule. Si le plateau tourne, appuyez sur le bouton STOP sans toucher le bras de lecture, puis patientez jusqu'à ce que le bras de lecture revienne dans sa position d'origine.
- Si vous mettez un disque immédiatement après avoir inséré le câble d'alimentation, le son émis peut être déformé. Patientez un peu (environ 30 secondes) après avoir branché la fiche du câble d'alimentation dans la prise avant de lancer la lecture du disque.

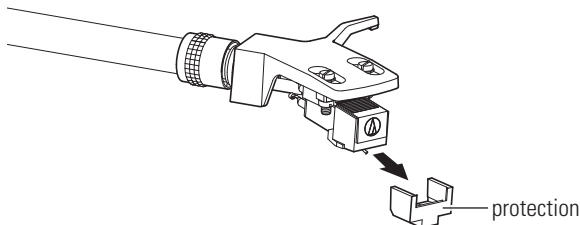


# Lecture d'un disque

## Avant la lecture d'un disque

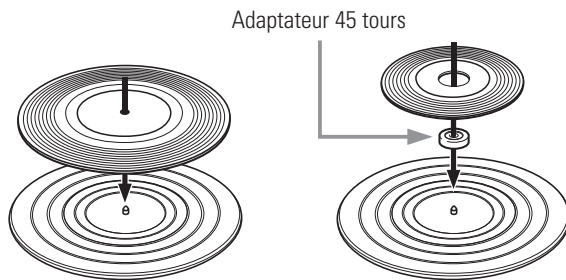
### 1. Retirez le protecteur de cellule.

- Tirez la protection vers l'avant pour l'enlever.
- Appliquer une force vers le bas peut avoir pour conséquence que la pointe se détache du corps. Seul un faible volume est émis si la pointe s'est détachée, ou est sur le point de se détacher, reportez-vous alors à "Remplacement de la pointe" en p. 11 pour rattacher la pointe correctement.



### 2. Placez le disque sur le tapis amortissant en caoutchouc de sorte que l'orifice au centre soit aligné avec l'axe.

- Lors de la lecture d'un disque 45 tours avec un large trou central, fixez l'adaptateur 45 tours (voir le côté droit du diagramme ci-dessous).

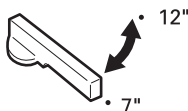


## Fonctionnement automatique

Baissez le volume de l'amplificateur, des haut-parleurs, etc., de manière suffisante.

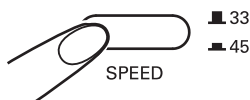
### 1. Sélectionnez la taille avec le sélecteur de taille.

- Sélectionnez "12"" pour un disque LP avec un diamètre de 12", et "7"" pour un disque 45 tours avec un diamètre de 7".



### 2. Appuyez sur vitesse à l'aide du bouton de vitesse du plateau.

- Sélectionnez "33" pour un disque 33 -1/3 tours, et "45" pour un disque 45 tours.



### 3. Appuyez sur le bouton START.

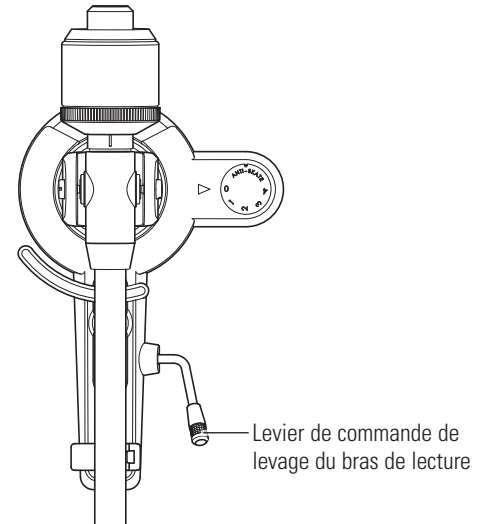
- Ne cognez pas le produit alors que le disque tourne.
- Ne permutez pas la sélection de taille du disque pendant que le disque tourne. Le produit pourrait présenter un dysfonctionnement.



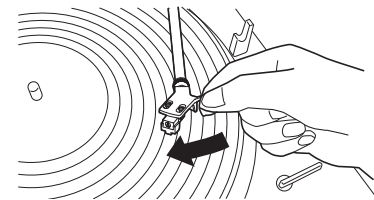
## Fonctionnement manuel

Baissez le volume de l'amplificateur, des haut-parleurs, etc., de manière suffisante.

### 1. Relevez le bras de lecture en plaçant le levier de levage en position relevée "UP".



### 2. Placez le bras de lecture à l'endroit désiré (sillon) sur le disque.



### 3. Abaissez le bras de lecture en baissant le levier de levage en position "DOWN". Le bras de lecture descend lentement sur le disque et la lecture commence.

- Sinon, vous pouvez passer les étapes de 1 à 3, et utiliser le petit levier sur la porte-cellule afin de positionner le bras de lecture sur l'endroit désiré du disque. Puis abaissez avec précaution le bras sur le disque.
- Ne soumettez pas le produit à de forts impacts pendant la lecture.

## Interrompre la lecture du disque

### 1. Après avoir baissé le volume de l'amplificateur, des haut-parleurs, etc., de manière suffisante, levez le bras de lecture à l'aide du levier.

## Lecture d'un disque

### Arrêt du disque

Lorsque la lecture du disque est arrivée à la fin, le bras de lecture revient automatiquement au pose-bras de lecture.

Pour arrêter manuellement le disque, effectuez les opérations suivantes.

1. Baissez le volume de l'amplificateur, des haut-parleurs, etc., de manière suffisante.
2. Appuyez sur le bouton STOP.
  - Dès que le disque s'arrête, le bras de lecture revient automatiquement au pose-bras de lecture.



3. Enlevez le disque une fois que le plateau est à l'arrêt complet.

- Lorsque le bras de lecture atteint l'extrémité (centre) du disque, il se lève automatiquement et revient sur le pose-bras de lecture. N'interférez pas dans son déplacement. Le produit pourrait présenter un dysfonctionnement. Si le bras de lecture ne se lève pas et ne revient pas sur le pose-bras de lecture, appuyez sur le bouton STOP pour terminer cette opération.
- Si le tapis amortissant en caoutchouc est sali, il peut aisément rayer le disque, enlevez donc régulièrement le tapis amortissant en caoutchouc et enlevez toutes les impuretés.
- Pour éviter que le disque ne soit rayé et déformé, enlevez-le après utilisation.
- N'utilisez pas de stabilisateur de disque.
- N'utilisez pas un autre plateau que celui fourni.
- Ce produit n'est pas conçu pour les DJ. Ne touchez pas le disque ou le plateau pendant que le disque tourne.

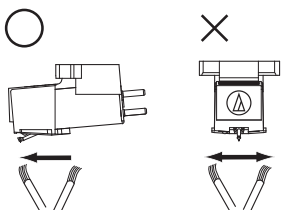
## Entretien

### Corps du plateau de la platine

- Lorsque le corps d'une platine est sale ou poussiéreux, débranchez d'abord la fiche du câble d'alimentation, puis essuyez les impuretés et poussières avec un chiffon doux et sec.
- N'utilisez pas de benzènes, de dissolvants, etc.
- Lors du stockage du produit pendant une longue période, débranchez la fiche du câble d'alimentation de la prise et enroulez l'équipement dans un emballage plastique ; évitez qu'il ne prenne l'humidité.

### Pointe de lecture

- Si des impuretés et des crasses sont collées à la pointe de lecture, nettoyez-la à l'aide d'une brosse adaptée vendue dans le commerce.
- Nous vous recommandons d'utiliser un nettoyant pour pointe de lecture (vendu séparément) si la pointe est très sale. Nettoyez la pointe de lecture en déplaçant la brosse adaptée de l'arrière vers l'avant de la pointe de lecture.

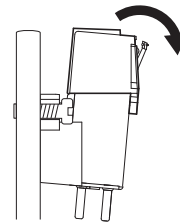


## Remplacement de la pointe de lecture

### Enlever la pointe de lecture

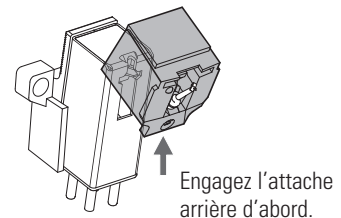
- Outre la détérioration de la qualité du son, les disques peuvent également être endommagés si la pointe de lecture de la cellule est usée.
- Une règle d'or : remplacez la pointe après 300 à 500 heures d'utilisation.
- Veillez à débrancher la fiche du câble d'alimentation du produit de la prise.

1. Enlevez le porte-cellule du bras de lecture.
  - Maintenez le bras de lecture fermement ; puis, enlevez doucement le porte-cellule.
2. Enlevez la protection de la cellule.
3. Enlevez la pointe en tirant dans le sens de la flèche.



### Installation d'une nouvelle pointe de lecture

1. Montez la nouvelle pointe de lecture de remplacement sur la cellule.



2. Installez la protection sur la cellule.
3. Installez le porte-cellule sur le bras de lecture.

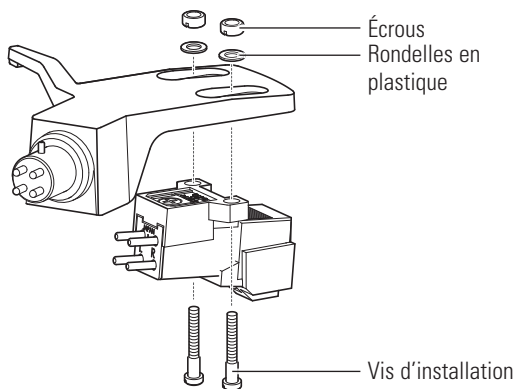


## Remplacement d'une cellule

### Remplacement par une nouvelle cellule

Reportez-vous au manuel d'utilisation pour la cellule que vous utilisez si vous remplacez la cellule (AT91R) incluse avec ce produit par une autre cellule vendue dans le commerce. Après avoir remplacé l'ancienne cellule par une neuve, vous devez réajuster l'overhang, l'équilibre du bras de lecture et la force d'appui.

1. **Enlevez le porte-cellule du bras de lecture.**
  - Maintenez le bras de lecture fermement ; puis, enlevez doucement le porte-cellule.
2. **Enlevez la pointe de la cellule.**
  - Reportez-vous à "Enlever la pointe de lecture" en p. 11.
3. **Enlevez les fils de câble.**
  - Veillez à ne pas endommager les fils de câbles.
4. **À l'aide d'un tournevis fendu non métallique vendu dans le commerce, enlevez les vis d'installation, puis enlevez la cellule du porte-cellule.**
5. **Reportez-vous au manuel d'utilisation pour les instructions de montage de la nouvelle cellule.**

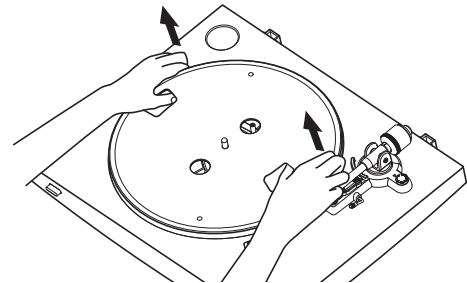


6. **À l'aide d'un tournevis fendu non métallique vendu dans le commerce, serrez les vis dans les deux emplacements, puis ajustez l'overhang.**
  - Reportez-vous à "Réglage de l'overhang" en p. 13.
  - Une fois les réglages terminés, serrez les vis solidement.
7. **Fixez le porte-cellule au bras de lecture.**
8. **Réglez l'équilibre du bras de lecture et la force d'appui.**
  - Reportez-vous à "Équilibre du bras de lecture et force d'appui" en p. 7 pour effectuer les ajustements.

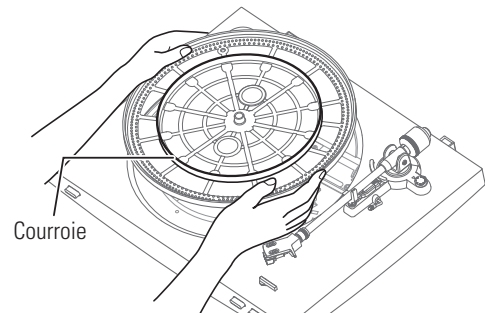
## Remplacement de la courroie

- La courroie est un élément consommable. Remplacez la courroie si la vitesse de lecture ralentit ou tourne de manière irrégulière. Comme règle d'or, nous suggérons de remplacer la courroie une fois par an.
- Avant de remplacer la courroie, veillez à débrancher la fiche du câble d'alimentation du produit, de la fiche.

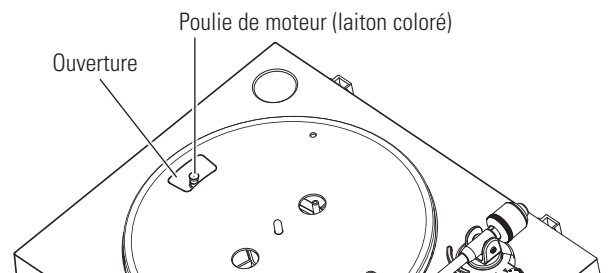
1. **Déposez le tapis amortissant en caoutchouc.**
2. **Déposez le plateau, tournez le plateau, puis enlevez l'ancienne courroie.**
  - Placez vos pouces dans les ouvertures et tirez fortement vers le haut.



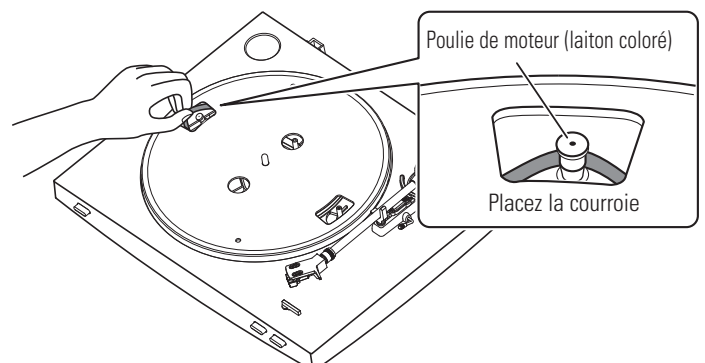
3. **Placez la nouvelle courroie autour du cercle intérieur.**
  - Veillez à ce que la courroie ne se torde pendant l'opération.



4. **Fixez le plateau.**
  - Alignez une des ouvertures avec la position de la poulie du moteur (laiton coloré).



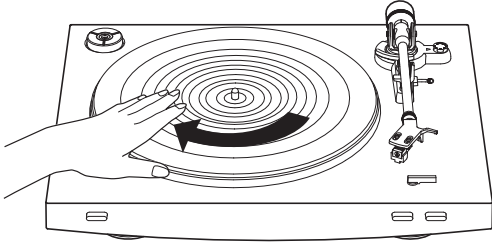
5. **Placez la courroie sur la poulie du moteur (laiton coloré).**
  - Saisissez la courroie attachée à l'étape 3 et, tout en la tirant, placez-la sur la poulie du moteur.



## Remplacement de la courroie

### 6. Faites tourner dix fois le plateau en vous aidant de vos mains.

- Soulevez le levier de commande du bras de lecture. Faites tourner lentement, à la main, la platine à dix reprises dans le sens de la flèche.



## Lors du transport de la platine

À l'aide du matériel d'emballage d'origine du produit, emballez la platine dans le sens inverse du déballage. Si vous n'avez pas de matériel d'emballage, prenez les mesures suivantes :

- Après avoir débranché la fiche du câble d'alimentation de la prise, enlevez le tapis amortissant en caoutchouc et le plateau, puis emballez-les afin qu'ils ne s'abîment pas.
- Utilisez une corde ou quelque chose de semblable pour attacher le bras de lecture au pose-bras de lecture afin qu'il ne bouge pas.
- Enlevez le contrepoids.
- Enlevez le porte-cellule du bras de lecture avec la protection fixée à la cellule, puis emballez l'ensemble du porte-cellule afin qu'il ne s'abîme pas.
- Emballez le corps de la platine avec du papier ou un chiffon doux afin qu'il ne s'endommage pas.

## Réglage de l'overhang

La position de la cellule doit être définie avec précision (réglage de l'overhang) lors du montage d'une cellule ou d'un porte-cellule autre que celui fourni.

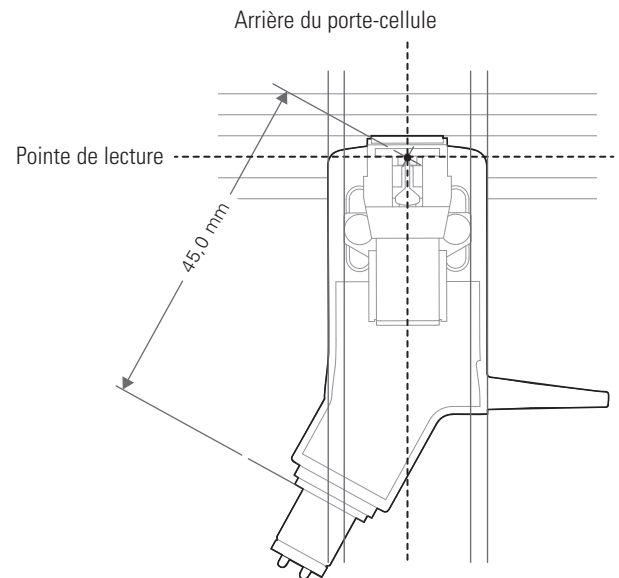
### 1. Montez la cellule pour qu'elle soit parallèle au porte-cellule.

- Faites correspondre les positions de la cellule et du porte-cellule au schéma ci-dessous et montez la cellule afin qu'elle soit parallèle au porte-cellule.

#### Guide pour le réglage de l'overhang

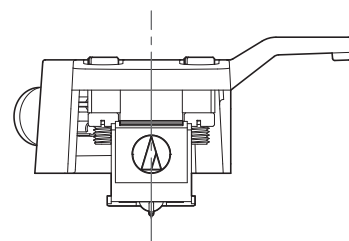
Cette illustration est à taille réelle.

Placez le porte-cellule sur le schéma ci-dessous, puis réglez la pointe de lecture de la nouvelle cellule le long des lignes pour la "Pointe de lecture" de la cellule.



### 2. Installez la cellule afin qu'elle soit perpendiculaire au haut du porte-cellule.

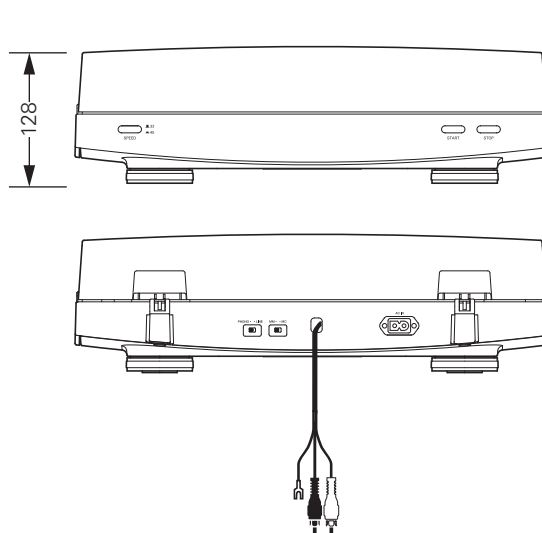
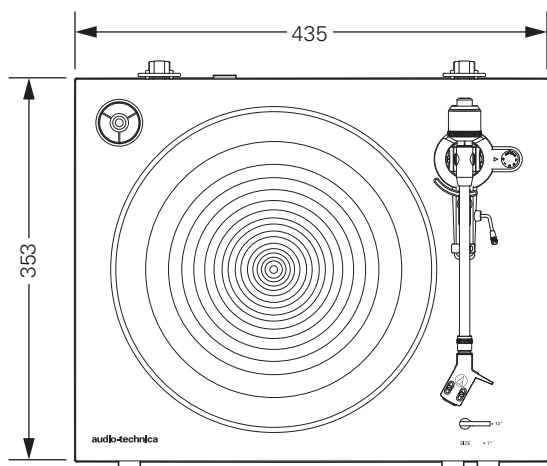
Avant du porte-cellule



# Dépannage

Problème	Solution
Le plateau ne tourne pas.	<ul style="list-style-type: none"> <li>• La fiche du câble d'alimentation est-elle branchée à la prise ? Branchez la fiche du câble d'alimentation à la prise.</li> <li>• La courroie a-t-elle glissé du plateau ? Placez correctement la courroie sur le plateau.</li> <li>• La courroie est-elle placée sur la poulie du moteur ? Assurez-vous que la courroie soit placée correctement sur la poulie du moteur (laiton coloré).</li> <li>• La courroie a-t-elle été endommagée ? Remplacez-la par une neuve.</li> </ul>
Le plateau tourne mais aucun son n'en sort ou le volume n'est pas assez fort.	<ul style="list-style-type: none"> <li>• Les paramètres de fonction et l'entrée pour un équipement connecté (amplificateurs, etc,...) sont-ils correctement sélectionnés ? Vérifiez que les paramètres pour l'équipement connecté sont corrects.</li> <li>• La pointe est-elle endommagée ? Vérifiez la pointe et remplacez-la, si nécessaire.</li> <li>• La pointe est-elle placée correctement sur le corps de la cellule ? Vérifiez la cellule et réglez-la, si nécessaire.</li> <li>• Les positions de réglage pour le sélecteur de préamplificateur sont-ils corrects ? Assurez-vous que les réglages du pré-amplificateur soient corrects, en notant les problèmes courants suivants et leurs causes : <ul style="list-style-type: none"> <li>– S'il n'y a pas de son, ou si le volume n'est pas assez fort, le produit est réglé sur la position "PHONO" et raccordé à l'entrée AUX/LINE de l'amplificateur.</li> <li>– Si le volume est trop fort ou est déformé, le produit est réglé en position "LINE", et l'équipement connecté est raccordé à l'entrée PHONO.</li> </ul> </li> <li>• La force d'appui est-elle trop forte ? Réglez la force d'appui.</li> </ul>
La pointe saute.	<ul style="list-style-type: none"> <li>• La force d'appui est-elle trop faible ? Réglez la force d'appui.</li> <li>• L'anti-skating est-il mal réglé ? Vérifiez que l'anti-skating a été réglé sur la même valeur que la force d'appui de la cellule.</li> <li>• Le disque est-il déformé ? Vérifiez le disque.</li> <li>• Le disque est-il rayé ? Vérifiez le disque.</li> </ul>
Il y a des vibrations.	<ul style="list-style-type: none"> <li>• Le produit perçoit-il trop de vibrations du sol, des surfaces des parois, ou des haut-parleurs à proximité ? Diminuez les vibrations ou installez le produit sur une surface qui n'est pas soumise à des effets de vibrations.</li> <li>• Le produit est-il monté sur une surface instable ? Vérifiez que la surface sur laquelle le produit est monté est appropriée.</li> </ul>
Il y a un bruit lorsque le disque tourne.	<ul style="list-style-type: none"> <li>• Y-a-t-il des impuretés sur la pointe de lecture de la cellule ? Si des impuretés sont collées sur la pointe de lecture, nettoyez-la à l'aide d'une brosse adaptée vendue dans le commerce.</li> </ul>
Le son lorsque le disque tourne est trop rapide ou trop lent.	<ul style="list-style-type: none"> <li>• Le réglage de la vitesse est-il correct pour ce produit ? Utilisez le bouton de vitesse de plateau pour sélectionner la vitesse correcte pour le type de disque en cours de lecture.</li> </ul>
La vitesse de lecture ralentit ou la rotation est irrégulière.	<ul style="list-style-type: none"> <li>• La courroie est-elle détendue ? Remplacez-la par une neuve.</li> </ul>
On entend un bourdonnement pendant la lecture.	<ul style="list-style-type: none"> <li>• La ligne à la terre est-elle correctement branchée ? Vérifiez que la ligne à la terre est correctement raccordée.</li> <li>• Le porte-cellule est-il solidement fixé au bras de lecture ? Vérifiez que la bague de verrouillage est serrée.</li> </ul>

# Dimensions



(Unité : mm)

# Spécifications

## Caractéristiques de la platine

Type	2 vitesses, fonctionnement entièrement automatique
Moteur	Moteur CC
Mécanisme d'entraînement	Entraînement par courroie
Vitesses	33-1/3 tr/min, 45 tr/min
Plateau de la platine	Aluminium moulé
Fluctuations de vitesse	< 0,2 % WRMS (33 tours) à 3 kHz
Rapport signal-bruit	>60 dB
Niveaux de sortie "PHONO" "LINE (MM)"	3,5 mV nominal à 1 kHz, 5 cm/sec 220 mV nominal à 1 kHz, 5 cm/sec
Gain du préamplificateur phono (MM)	36 dB nominal, égalisé RIAA
Gain du préamplificateur phono (MC)	56 dB nominal, égalisé RIAA

## Caractéristiques du bras de lecture

Type	Droit à équilibre statique avec commande d'amortissement souple
Longueur réelle	221,5 mm
Réglage de l'avance de la cellule	19 mm
Angle maximal d'erreur de piste	Moins de 3 °
Ajustement de la force d'appui vertical	1 à 4 g
Poids de cellule applicable (porte-cellule inclus)	14,5 à 20 g

## Caractéristiques du porte-cellule et de la cellule

Modèle de cellule	AT91R
Type de cellule	Aimant double VM
Impédance de charge recommandée	47 000 ohms
Tension de sortie	3,5 mV (mV à 1 kHz, 5 cm/sec)
Pointe de lecture	0,6 mil conique collée
Cantilever	Tuyau en aluminium
Plage de force d'appui	1,5 à 2,5 g (standard à 2,0 g)
Poids de la cellule	5,0 g
Porte-cellule	AT-HS3
Poids du porte-cellule	11,1 g
Réglage vertical du porte-cellule	8 mm

## Caractéristiques générales

Alimentation requise	120 V / 60 Hz
Consommation énergétique	2 W
Dimensions	435 mm x 353 mm x 128 mm (L x l x P)
Poids	5,4 kg
Accessoires inclus	Tapis amortissant en caoutchouc, Couvercle anti-poussière, Plateau (avec courroie d'entraînement), Contrepoids, Porte-cellule (AT-HS3) avec cellule stéréo VM (AT91R), adaptateur 45 tours, câble d'alimentation
Pointe de remplacement (Vendue séparément)	ATN91R
Porte-cellule de remplacement (Vendu séparément)	AT-HS3
Courroie de remplacement (Vendue séparément)	Courroie exclusive AT-LP3

Les caractéristiques sont susceptibles d'être modifiées sans notification préalable suite à des améliorations.



# Introducción

Gracias por adquirir este producto de Audio-Technica.

Lea este manual del usuario atentamente antes de utilizar el producto para asegurarse de que lo utiliza correctamente. Asimismo, conserve este manual, junto con la garantía, para consultarlo en el futuro.

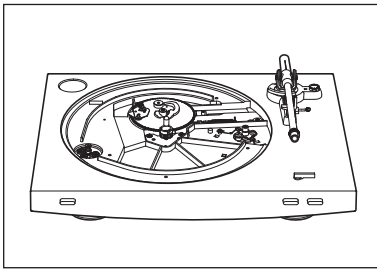
Este producto ha sido diseñado para utilizarse únicamente en los siguientes países. Asegúrese de que la tensión de servicio del producto es la correcta para el país de destino.

Lista de países: EE.UU., Canadá

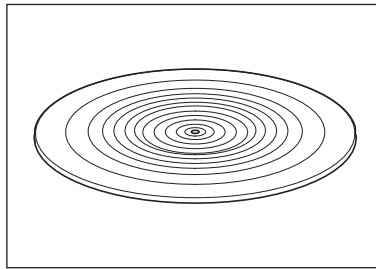
# Contenido del paquete

Antes de utilizar este producto, compruebe que cuenta con todos los artículos incluidos que se detallan a continuación.

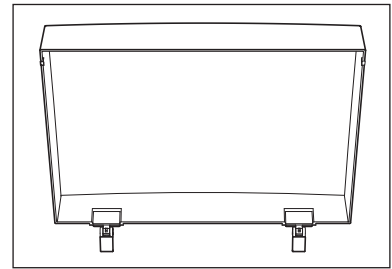
Si falta algún artículo o está dañado, póngase en contacto con su distribuidor local de Audio-Technica.



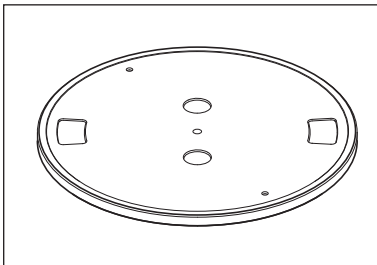
• Cuerpo del giradiscos



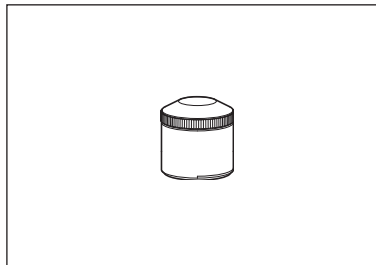
• Alfombrilla de caucho



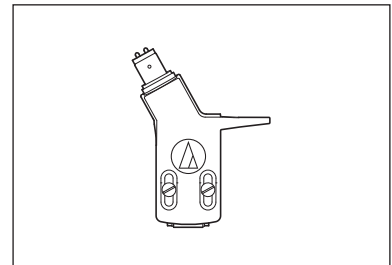
• Cubierta antipolvo



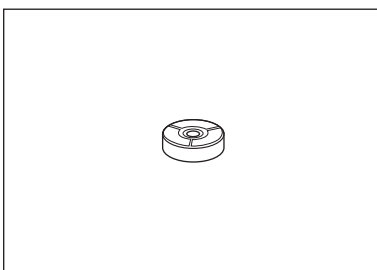
• Plato (con correa de transmisión)



• Contrapeso



• Portacápsulas (AT-HS3) con cápsula estéreo VM (AT91R)



• Adaptador de 45 RPM

- Cable de alimentación
- Manual del usuario (este documento)

Le recomendamos que guarde todo el material de embalaje por si en el futuro lo necesita para almacenamiento, traslado o envío.

# Precauciones de seguridad

## Información importante



### Advertencia:


Para evitar el riesgo de que se produzca un incendio o una descarga eléctrica, no exponga la unidad a la lluvia ni a la humedad.


### Precaución:

No deje que la unidad quede expuesta a goteos o salpicaduras.  
Para evitar que se produzcan descargas eléctricas, no abra la caja de la unidad. Diríjase sólo a personal cualificado para reparar la unidad.  
No exponga este aparato al calor excesivo, por ejemplo, por la luz solar, el fuego o fuentes similares.  
No someta este aparato a golpes fuertes.  
La unidad debe estar lo suficientemente cerca de la toma de corriente CA para que se pueda acceder con facilidad al cable de alimentación en cualquier momento.  
En caso de emergencia, desconecte rápidamente el cable de alimentación de la unidad.  
No coloque sobre la unidad ningún objeto que contenga líquido, por ejemplo, un florero.  
Para evitar que se produzcan incendios, no coloque sobre la unidad fuentes de llamas vivas (como velas encendidas).  
No instale la unidad en un lugar cerrado como una librería o mobiliario similar. Instale la unidad únicamente en un lugar que disponga de una ventilación adecuada.


## Para los clientes de EE.UU./Canadá

	<b>PRECAUCIÓN</b> <b>PELIGRO DE DESCARGA ELÉCTRICA</b> <b>NO ABRIR</b>	
<p><b>Precaución:</b> Para evitar que se produzcan descargas eléctricas, no quite la cubierta de la unidad. Dentro de la unidad no hay piezas que el usuario pueda reparar. Los ajustes internos deben realizarlos personal cualificado solamente. Para realizar cualquier reparación, póngase en contacto con personal de servicio cualificado.</p>		

	<p>El símbolo de rayo con punta de flecha dentro de un triángulo equilátero alerta al usuario de la presencia de "voltaje peligroso" sin aislar dentro del habitáculo del producto que puede tener la magnitud suficiente para constituir un peligro de descarga eléctrica para las personas.</p>
---	---

	<p>El símbolo del signo de exclamación dentro de un triángulo equilátero indica al usuario la presencia de instrucciones de funcionamiento y mantenimiento (reparación) importantes en la documentación que acompaña al producto.</p>
---	---

## Instrucciones importantes de seguridad

1. Lea estas instrucciones.
2. Conserve estas instrucciones.
3. Preste atención a todas las advertencias.
4. Siga todas las instrucciones.
5. No utilice este aparato cerca del agua.
6. Límpielo únicamente con un paño seco.
7. No obstruya ninguna abertura de ventilación. Realice la instalación de acuerdo con las instrucciones del fabricante.
8. No realice la instalación cerca de ninguna fuente de calor, como radiadores, calefactores, estufas u otros aparatos (incluido amplificadores) que generen calor.
9. No anule la polaridad o la conexión a tierra de los enchufes, cuyo propósito es la seguridad. Los enchufes polarizados tienen dos contactos salientes, uno más ancho que el otro. Los enchufes con conexión a tierra tienen dos contactos salientes y una tercera punta, conectada a tierra. El contacto saliente de anchura mayor y la tercera punta de contacto a tierra son para su seguridad. Si el enchufe que se incluye no encaja en su toma de corriente, solicite a un electricista que sustituya la toma de corriente obsoleta.
10. Proteja los cables eléctricos de pisadas o pellizcos, especialmente en los enchufes, en los receptáculos y en los puntos de salida del aparato.
11. Utilice únicamente los complementos/accesorios especificados por el fabricante.
12. Utilícelo solamente con un carro, estante, trípode, soporte o mesa especificados por el fabricante o vendidos junto con el aparato. Cuando utilice un carro, tenga cuidado al desplazar la combinación carro/aparato para evitar daños por vuelcos. 
13. Desenchufe el aparato durante tormentas eléctricas o cuando no vaya a utilizarse durante períodos prolongados.
14. Para realizar cualquier reparación, póngase en contacto con personal de servicio cualificado. Será necesario reparar el aparato si ha sufrido cualquier tipo de daño, como daños en el cable de alimentación o en el enchufe, si se han derramado líquidos sobre el aparato o ha recibido algún golpe, si ha estado expuesto a la lluvia o a la humedad, si no funciona con normalidad o ha sufrido alguna caída.

## Aviso de la FCC

### Advertencia:

Este aparato cumple con la Parte 15 del Reglamento de la FCC. El funcionamiento está sujeto a las dos condiciones siguientes: (1) este equipo no debe causar interferencia perjudicial, y (2) este equipo debe aceptar cualquier interferencia recibida, incluso las interferencias que puedan causar un funcionamiento indeseado.

### Precaución:

El usuario debe saber que cualquier cambio o modificación no aprobados expresamente en este manual puede anular el derecho del usuario a utilizar el aparato.

Este equipo se ha probado y cumple con los límites de los dispositivos digitales de clase B, de acuerdo con el apartado 15 del Reglamento de la FCC. Estos límites se han establecido para ofrecer una protección razonable contra interferencias perjudiciales en instalaciones residenciales. Este aparato genera, utiliza y puede irradiar energía de radiofrecuencia y, si no se instala y utiliza de acuerdo con las instrucciones, puede ocasionar interferencias perjudiciales en las comunicaciones por radio. Sin embargo, no existe garantía alguna de que no se produzcan interferencias en una instalación determinada. Si este aparato produce interferencias perjudiciales en la recepción de radio o televisión, lo que se puede determinar apagando y encendiendo el aparato, se recomienda al usuario que intente corregirlas realizando una o varias de las siguientes acciones:

- Cambie la orientación o ubicación de la antena receptora.
- Aumente la separación entre el aparato y el receptor.
- Conecte el aparato a un enchufe que esté en un circuito distinto a aquél donde esté conectado el receptor.
- Para obtener ayuda, consulte al distribuidor a un técnico experto de radio/TV.

### Declaración de la IC:

CAN ICES-3 (B)/NMB-3(B)

---

## Indicaciones de uso

---

### Cuerpo del giradiscos

- No coloque ni utilice el producto en lugares sometidos a condiciones de altas temperaturas, humedad, suciedad o vibraciones.
- El producto debe colocarse sobre una superficie plana nivelada.

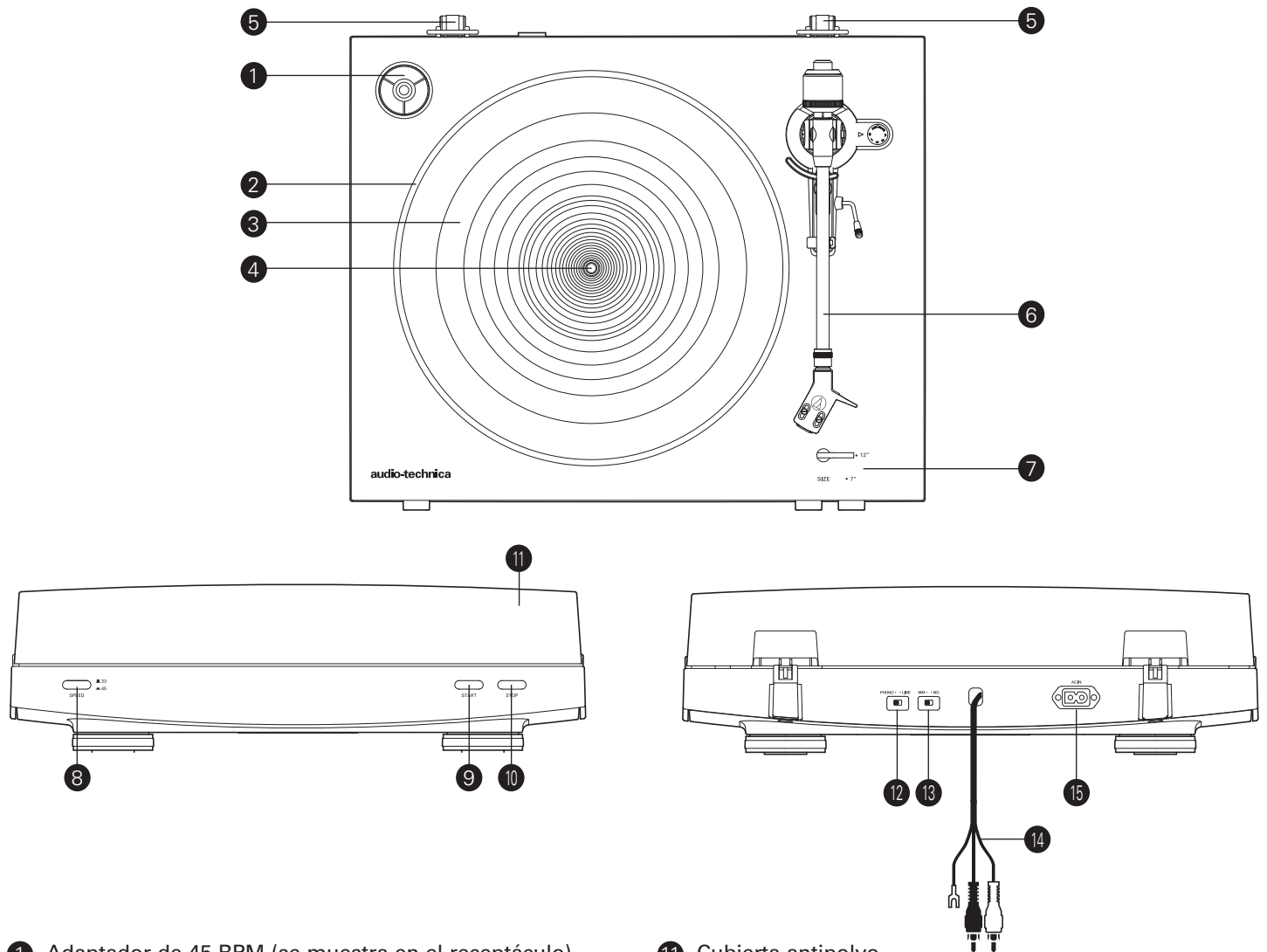
### Cápsula

- Coloque el protector suministrado en la cápsula cuando no vaya a utilizar el producto.
- No toque la aguja de la cápsula con el dedo.
- No permita que la aguja golpee el plato, la alfombrilla de caucho o el borde del disco.



# Nombre y funciones de los componentes

## Diagrama general



**1** Adaptador de 45 RPM (se muestra en el receptáculo)

Seleccione la velocidad del plato (33-1/3 ó 45 RPM).

**2** Plato

**3** Alfombrilla de caucho

**4** Eje

**5** Soportes de las bisagras de la cubierta antipolvo

Puntos de unión de las bisagras de la cubierta antipolvo.

**6** Brazo fonocaptor

Para obtener más información, consulte "Brazo fonocaptor" en la pág. 5.

**7** Selector de tamaño

Alterne entre 12" y 7", según el tamaño del disco.

**8** Botón de velocidad del plato

Seleccione la velocidad del plato (33-1/3 ó 45 RPM).

**9** Botón START (Iniciar)

Hace girar el plato y desplaza el brazo fonocaptor.

**10** Botón STOP (Parar)

Devuelve el brazo fonocaptor a su posición original y detiene el plato.

**11** Cubierta antipolvo

**12** Interruptor selector de preamplificador

Si utiliza un amplificador con un conector de entrada PHONO, ajuste este interruptor en la posición PHONO. Si conecta al conector AUX de un amplificador, ajuste este interruptor en la posición LINE.

**13** Interruptor selector de cápsula MM (VM)/MC

Si utiliza una cápsula MM (VM), ajuste este interruptor en la posición MM. Si utiliza una cápsula MC, ajuste este interruptor en la posición MC.

**14** Cable de audio RCA (con toma de tierra)

Conéctelo al conector de entrada PHONO (toma de tierra a terminal de toma de tierra, si lo hubiese) o al conector de entrada AUX (LINE) de un receptor, amplificador u otro equipo conectable.

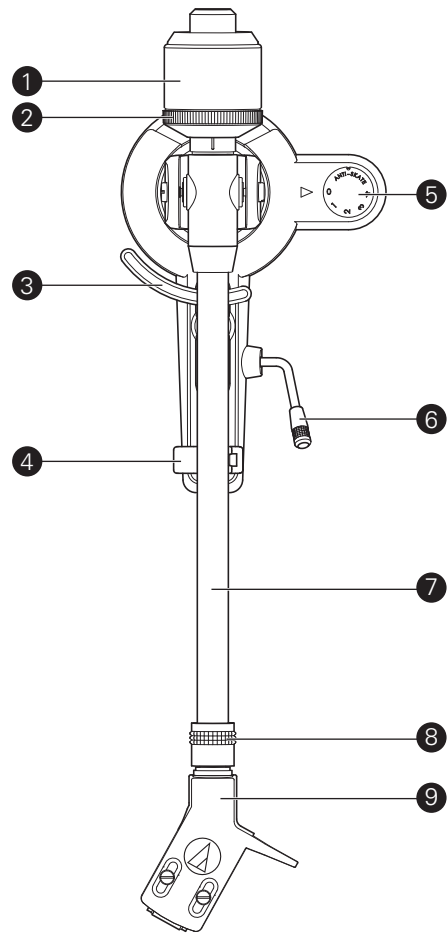
**15** Entrada de CA

Inserte el cable de alimentación aquí.

# Nombre y funciones de los componentes

## Brazo fonocaptor

- 1 Contrapeso**  
Equilibra el brazo fonocaptor y se ajusta para proporcionar la fuerza de seguimiento correcta.
- 2 Anillo calibrador de fuerza de seguimiento**  
Utilícelo para ajustar la fuerza de seguimiento.
- 3 Elevador del brazo fonocaptor**  
Desplaza el brazo fonocaptor verticalmente hacia y desde la cara del disco.
- 4 Soporte del brazo fonocaptor**
- 5 Selector de control "anti-skate" o de compensación de la fuerza lateral**  
Durante la reproducción del disco, una fuerza actúa sobre la punta de la aguja que tira de ella hacia dentro. Dicha fuerza puede compensarse estableciendo los mismos valores "anti-skate", o de compensación de la fuerza lateral, y de fuerza de seguimiento.
- 6 Palanca de control del elevador del brazo fonocaptor**  
Acciona el elevador del brazo fonocaptor.
- 7 Brazo fonocaptor**
- 8 Anillo de bloqueo**  
Gire el anillo hacia la izquierda (sentido antihorario) para fijar el portacápsulas. Para retirar el portacápsulas, gire el anillo hacia la derecha.
- 9 Portacápsulas y cápsula**  
La cápsula (AT91R) está instalada en el portacápsulas (AT-HS3).



# Preparativos

## Instalación del giradiscos

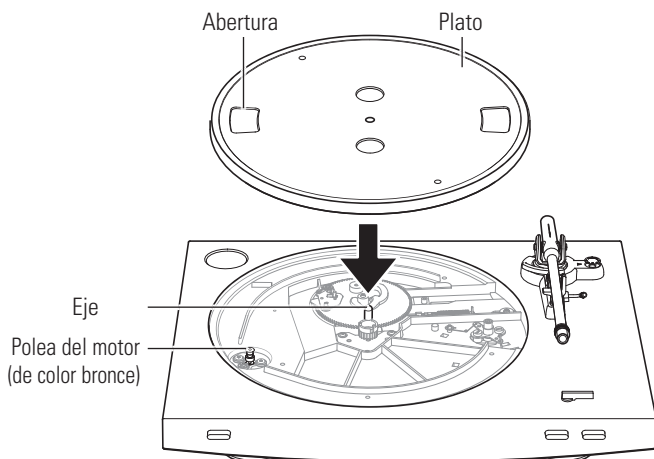
- Coloque el producto sobre una superficie nivelada.
- Para evitar los efectos de vibraciones y presión acústica, no sitúe el producto cerca de aparatos tales como altavoces.
- El producto podría captar estática de radio si se sitúa próximo a una radio. Así pues, procure mantener el producto alejado de una radio.
- Si el producto se encuentra cerca de aparatos (móvil, etc.) que emiten ondas de radio intensas, podría producirse ruido.

## Colocación del plato y de la alfombrilla de caucho

Este producto requiere cierta labor de montaje antes de poderse utilizar por primera vez.  
No conecte el cable de alimentación hasta no haber completado el montaje.

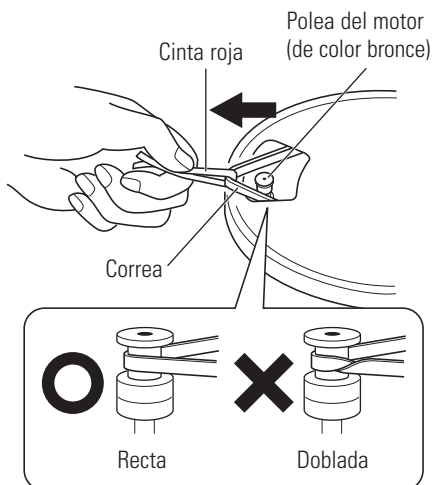
### 1. Coloque el plato en el eje.

- Asegúrese de que el plato quede totalmente encajado en el eje.

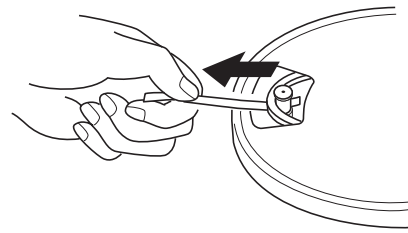


### 2. Coloque la correa en la polea del motor (de color bronce).

- Alinee las aberturas del plato con la polea del motor de color bronce, y tirando de ambos extremos de la cinta roja que viene acoplada a la correa, coloque la correa en la polea del motor, como se indica en el diagrama. Al realizar esta operación, preste atención para que la correa no se doble.

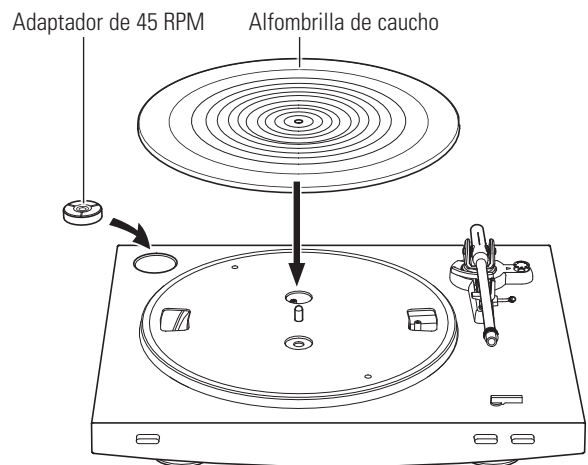


### 3. Retire la cinta roja de la correa.



### 4. Coloque la alfombrilla de caucho sobre el plato.

- Una vez colocada la alfombrilla de caucho, coloque el adaptador de 45 RPM en el hueco habilitado al efecto en la parte superior izquierda.

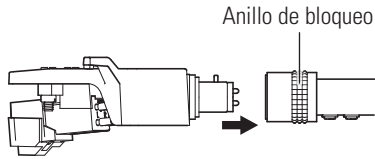


# Preparativos

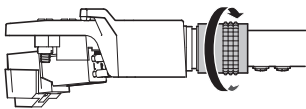
## Montaje del brazo fonocaptor

### 1. Inserte el portacápsulas en el anillo de bloqueo.

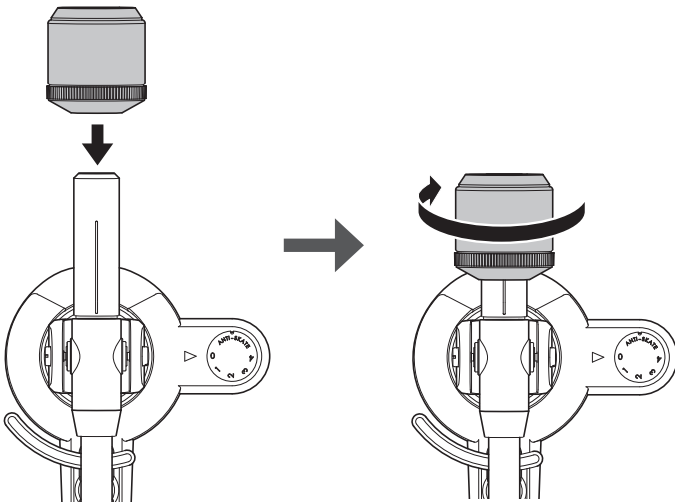
- Sujete el portacápsulas por los bordes derecho e izquierdo para no dañar la aguja ni cortar el cableado de la cápsula.



### 2. Una vez insertado el portacápsulas, gire el anillo de bloqueo en sentido antihorario (hacia la izquierda).



### 3. Con el anillo calibrador de fuerza de seguimiento mirando hacia delante, acople el contrapeso a la parte posterior del brazo fonocaptor, y gírelo lentamente en sentido antihorario (hacia la izquierda).



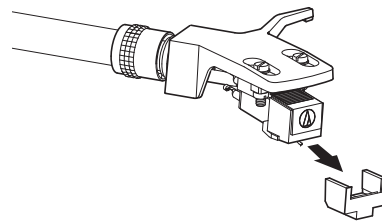
## Equilibrio y fuerza de seguimiento del brazo fonocaptor

Para que la cápsula pueda captar correctamente el sonido del surco del disco, el equilibrio y la fuerza de seguimiento del brazo fonocaptor deben ajustarse según las especificaciones de la cápsula. Si el equilibrio y la fuerza de seguimiento no se ajustan correctamente, el disco o la aguja de la cápsula podría sufrir daños.

- No arrastre la aguja de la cápsula a lo ancho del disco o de la alfombrilla de caucho cuando ajuste el equilibrio o la fuerza de seguimiento del brazo fonocaptor. Si lo hace, la aguja podría resultar dañada.

## Ajuste del equilibrio del brazo fonocaptor

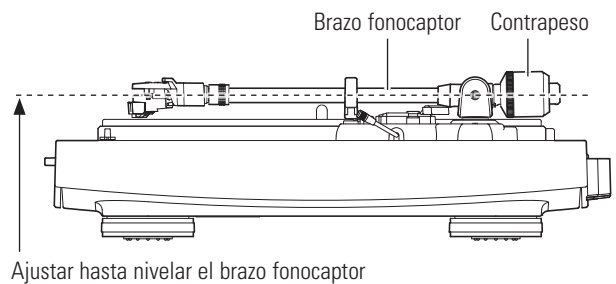
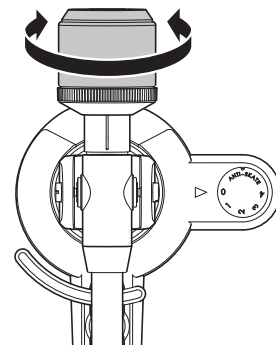
### 1. Retire el protector de la cápsula.



### 2. Sujetando el portacápsulas, retire la brida utilizada para retener el brazo fonocaptor cuando se entrega el producto.

### 3. Sujetando el portacápsulas con cuidado, gire el contrapeso para ajustar el equilibrio del brazo fonocaptor.

- Ajuste el equilibrio de modo que el brazo fonocaptor esté nivelado cuando suelte el portacápsulas.

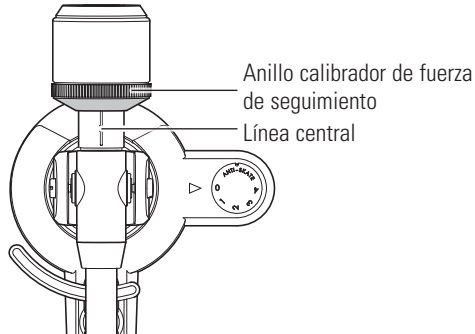


### 4. Vuelva a colocar el brazo fonocaptor sobre su soporte.

# Preparativos

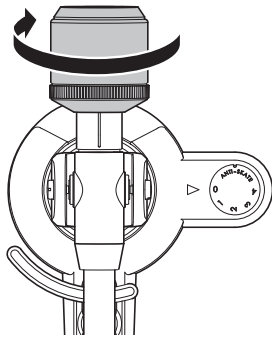
## Ajuste de la fuerza de seguimiento

1. Sujetando el contrapeso para que no se mueva, gire el anillo calibrador de fuerza de seguimiento hasta alinear su posición "0" con la línea central de la parte posterior del brazo fonocaptor (la fuerza de seguimiento no se ajusta simplemente girando el anillo calibrador de fuerza de seguimiento).



2. Gire el contrapeso y el anillo calibrador de fuerza de seguimiento juntos en sentido antihorario hasta que el valor de la línea central coincida con el valor de fuerza de seguimiento recomendado para la cápsula que esté utilizando.

- Consulte las especificaciones del fabricante de la cápsula para conocer el valor de fuerza de seguimiento recomendado.
- El valor de fuerza de seguimiento de la cápsula suministrada con este producto es de 2,0 g.

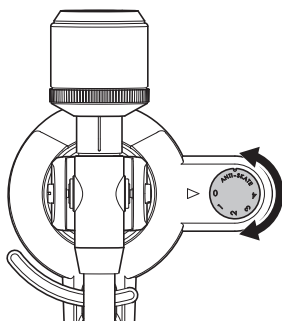


## Ajuste del valor "anti-skate", o de compensación de la fuerza lateral

Durante la reproducción del disco, una fuerza actúa sobre la punta de la aguja que tira de ella hacia dentro. Dicha fuerza puede compensarse estableciendo los mismos valores "anti-skate", o de compensación de la fuerza lateral, y de fuerza de seguimiento.

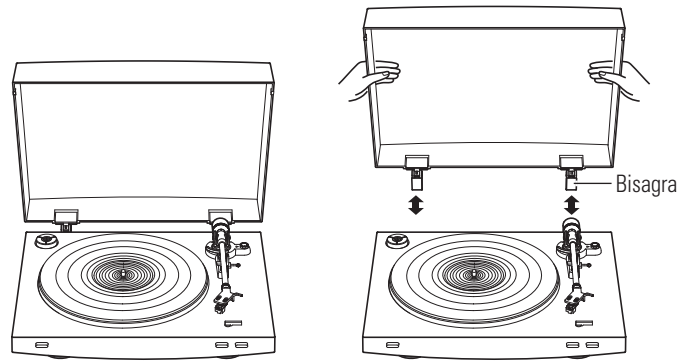
1. Ajuste el selector de control "anti-skate", o de compensación de la fuerza lateral, en el mismo valor que el valor de fuerza de seguimiento.

- El valor de fuerza de seguimiento de la cápsula suministrada con este producto es de 2,0 g.



## Instalación/retirada de la cubierta antipolvo

Al colocar la cubierta antipolvo, inserte las bisagras de la cubierta antipolvo en los dos soportes correspondientes situados en la parte posterior del cuerpo. Al retirar la cubierta antipolvo, tire con cuidado de la cubierta para sacarla de los soportes de las bisagras de la cubierta antipolvo.



## Configuración del interruptor selector de cápsula MM (VM)/MC

Si utiliza una cápsula de imán móvil (MM o VM), ajuste este interruptor en la posición MM. Si utiliza una cápsula de bobina móvil (MC), ajuste este interruptor en la posición MC.

- Este interruptor está ajustado en la posición MM en el momento de la compra. Éste es el ajuste correcto para la cápsula estéreo VM AT91R que viene con el producto.

## Ajuste del interruptor selector de preamplificador

Este producto incorpora una función ecualizador phono. Puede utilizar el producto aunque no disponga de un amplificador phono o un equipo conectable con amplificador phono integrado.

Utilice el interruptor selector de preamplificador para ajustar la salida, como se indica a continuación.

Equipo conectable utilizado	Posición del interruptor selector de preamplificador	Dónde conectar el cable de audio RCA
Dispositivo con entrada phono	PHONO	Conector de entrada phono y terminal de toma de tierra (masa) del equipo conectable
Dispositivo sin entrada phono	LINE	Conector AUX o de entrada de línea del equipo conectable
Tarjeta de sonido del ordenador	LINE	Conector de entrada de línea de la tarjeta de sonido del ordenador <sup>*1</sup>

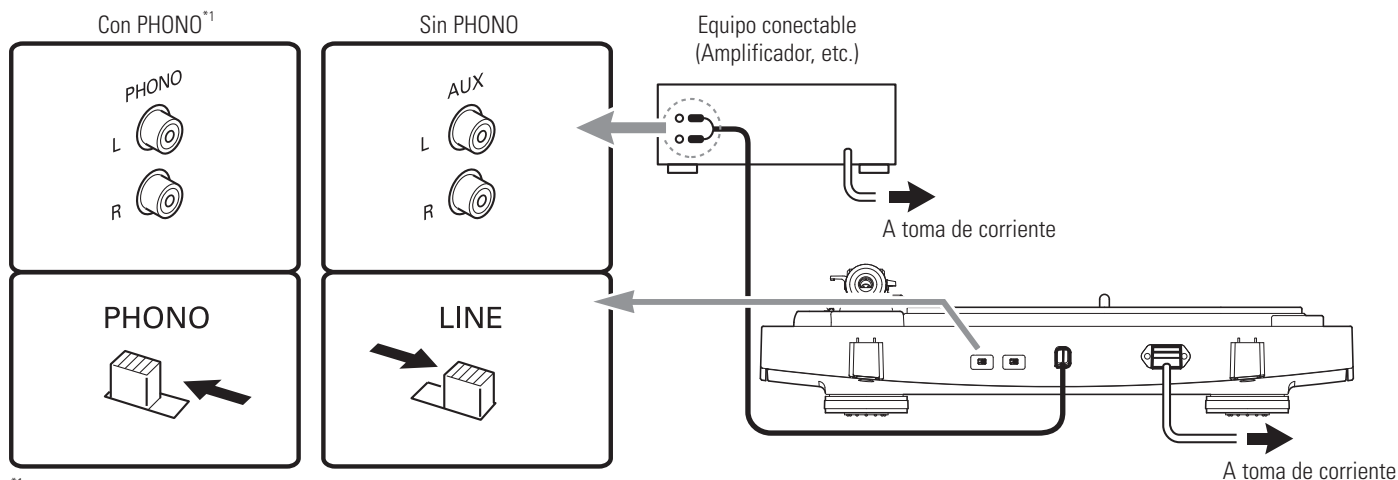
<sup>\*1</sup>Es posible que sea necesario utilizar un adaptador de audio (se vende por separado) para conectar el cable de audio RCA al conector de entrada de línea de la tarjeta de sonido del ordenador.

## Preparativos

### Conexión del dispositivo

Alinee los ajustes del interruptor selector de preamplificador y conecte el cable de audio RCA a un conector de entrada que sea compatible con el equipo conectable que esté utilizando (amplificador, receptor, altavoces activos, tarjeta de sonido, etc.).

- El conector rojo del cable de audio RCA es para el canal derecho (R) y el conector blanco, para el canal izquierdo (L).

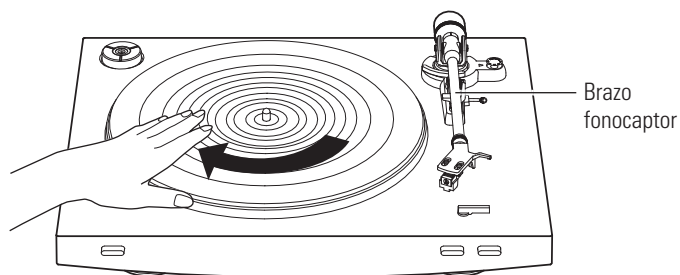


\*1Según el equipo conectable que esté utilizando, puede que haya un terminal de toma de tierra (masa) presente cerca del conector de entrada phono. En tal caso, conéctele la toma de tierra del cable de audio RCA. Esto ayudará a evitar el zumbido bajo que de lo contrario se oíría durante la reproducción.

### Rotación del plato

#### 1. Utilizando las manos, gire el plato diez veces.

- Levante la palanca de control del elevador del brazo fonocaptor para elevar el brazo fonocaptor. Con la mano gire lentamente el plato diez veces en la dirección de la flecha.
- Conviene sujetar el brazo fonocaptor para que no se mueva. Este paso sirve para restablecer el mecanismo automático, eliminar cualquier doblez de la correa y comprobar que la correa se desplace sin problema por el borde de tracción en la parte inferior del plato.

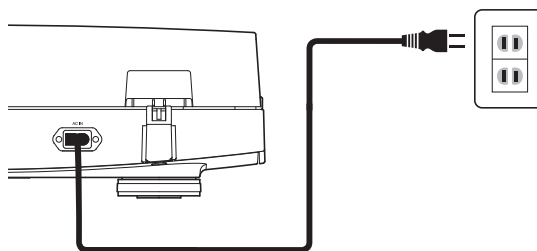


### Conexión del cable de alimentación

Este producto no dispone de un interruptor de encendido/apagado. Siempre hay una corriente latente que recorre el producto, incluso cuando no se está utilizando; desconecte el enchufe del cable de alimentación de la toma de corriente cuando no vaya a utilizar el producto durante un periodo de tiempo prolongado.

#### 1. Conecte el enchufe del cable de alimentación a la toma de corriente.

- Por motivos de seguridad, suba el brazo fonocaptor levantando la palanca de control de elevación del brazo fonocaptor.
- Conecte el enchufe del cable de alimentación a la toma de corriente sin quitar el protector de la cápsula. Si el plato ha girado, pulse el botón STOP (Parar) sin tocar el brazo fonocaptor, y espere hasta que el brazo fonocaptor regrese a su posición original.
- Si reproduce un disco inmediatamente después de conectar el cable de alimentación, es posible que el sonido se escuche distorsionado. Tras insertar el enchufe del cable de alimentación en la toma de corriente, espere unos instantes (30 segundos aprox.) antes de reproducir un disco.

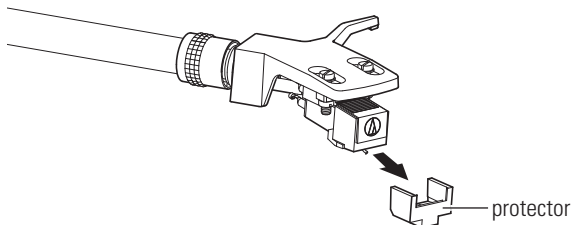


# Reproducción de discos

## Antes de reproducir un disco

### 1. Retire el protector de la cápsula.

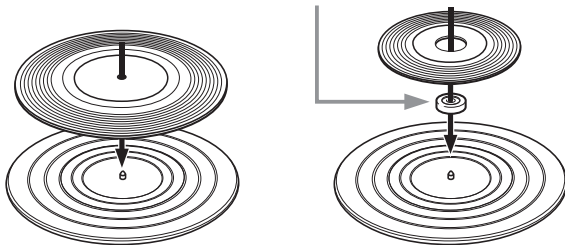
- Tire del protector hacia delante para sacarlo.
- Si ejerce presión hacia abajo, la aguja podría desprenderse del cuerpo. Si la aguja se desprende o está a punto de desprenderse, sólo se emitirá un nivel de volumen bajo. Para volver a colocar la aguja correctamente, consulte "Reposición de la aguja" en la pág. 11.



### 2. Coloque el disco en la alfombrilla de caucho, de manera que el agujero central quede alineado con el eje.

- Si va a reproducir un disco de 45 RPM con un gran agujero central, coloque el adaptador de 45 RPM (véase la parte derecha de la imagen siguiente).

Adaptador de 45 RPM

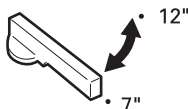


## Funcionamiento automático

Baje el volumen del amplificador, altavoces, etc. lo suficiente.

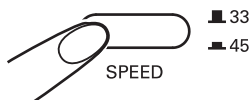
### 1. Seleccione el tamaño con el selector de tamaño.

- Seleccione "12''" para un disco LP con un diámetro de 12", y "7''" para un disco de 45 RPM con un diámetro de 7 cm.



### 2. Seleccione la velocidad con el botón de velocidad del plato.

- Seleccione "33" para un disco de 33-1/3 RPM, y "45" para un disco de 45 RPM.



### 3. Pulse el botón START (Iniciar).

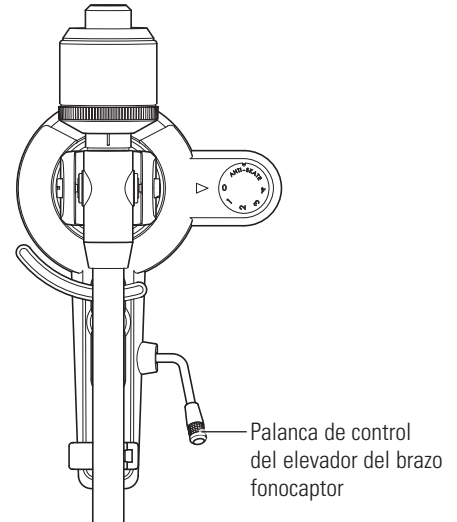
- No golpee el producto mientras se está reproduciendo un disco.
- No cambie el ajuste de tamaño del disco mientras se está reproduciendo un disco. De no seguir dichas instrucciones, podría provocar un mal funcionamiento del producto.



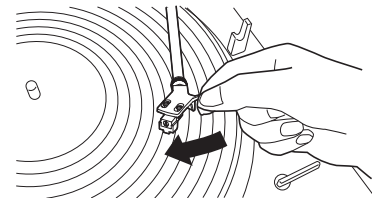
## Funcionamiento manual

Baje el volumen del amplificador, altavoces, etc. lo suficiente.

### 1. Suba el brazo fonocaptor situando la palanca de control de elevación del brazo fonocaptor en la posición "UP".



### 2. Coloque el brazo fonocaptor en la posición deseada (surco) del disco.



### 3. Baje el brazo fonocaptor situando la palanca de control de elevación del brazo fonocaptor en la posición "DOWN". El brazo fonocaptor desciende lentamente sobre el disco y comienza la reproducción.

- También puede saltarse los pasos 1 a 3, y utilizar el elevador manual del portacápsulas para situar el brazo fonocaptor en la posición deseada del disco. Baje con cuidado el brazo fonocaptor hasta la superficie del disco.
- No someta el producto a impactos fuertes durante la operación de reproducción.

## Interrupción de la reproducción de un disco

### 1. Una vez bajado el volumen del amplificador, altavoces, etc. lo suficiente, levante el brazo fonocaptor con la palanca de control del elevador del brazo fonocaptor.

## Reproducción de discos

### Detención de la reproducción del disco

Una vez finalizada la reproducción del disco, el brazo fonocaptor vuelve automáticamente a su soporte.

Para detener la reproducción del disco manualmente, haga lo siguiente.

1. Baje el volumen del amplificador, altavoces, etc. lo suficiente.
2. Pulse el botón STOP (Parar).

- Cuando se para la reproducción del disco, el brazo fonocaptor vuelve automáticamente a su soporte.



3. Retire el disco cuando el plato se haya detenido por completo.

- Cuando el brazo fonocaptor llegue al final (centro) del disco, automáticamente se levantará y regresará a su soporte. No obstaculice su desplazamiento. Si lo hace, podría provocar un mal funcionamiento del producto. Si el brazo fonocaptor no se levanta y vuelve a su soporte, pulse el botón STOP (Parar) para completar esta operación.
- Si la alfombrilla de caucho se ensucia, podría rayar el disco con facilidad, así que retire la alfombrilla cada cierto tiempo para limpiarle el polvo.
- Para evitar que el disco sufra arañazos o deformación, retírelo una vez utilizado.
- No utilice un disco estabilizador.
- No utilice un plato distinto al suministrado.
- Este producto no ha sido diseñado para DJs. No toque el disco o el plato mientras se está reproduciendo un disco.

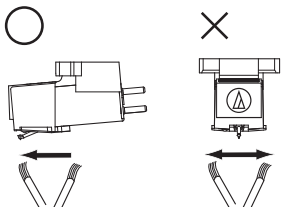
## Cuidados

### Cuerpo del giradiscos

- Si el cuerpo del giradiscos tiene polvo o suciedad, en primer lugar desconecte el enchufe del cable de alimentación y luego limpie la suciedad y el polvo con un paño suave y seco.
- No utilice bencenos, diluyentes, etc.
- Cuando vaya a guardar el producto durante un periodo de tiempo prolongado, desconecte el enchufe del cable de alimentación de la toma de corriente y envuelva el equipo en plástico; procure que no se humedezca.

### Punta de la aguja

- Si se adhiere suciedad o mugre a la punta de la aguja, límpiela con un cepillo común.
- Se recomienda utilizar un limpiador de agujas (se vende por separado) si la punta de la aguja está muy sucia. Limpie la punta de la aguja moviendo el cepillo de atrás hacia delante de la punta de la aguja.

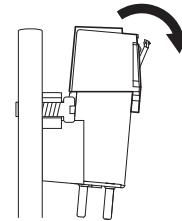


## Reposición de la punta

### Retirada de la aguja

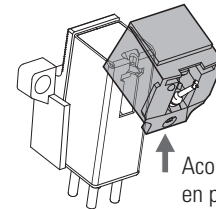
- Además del deterioro en la calidad del sonido, los discos también podrían sufrir daños a medida que la punta de la aguja de la cápsula se va desgastando.
- Por regla general, cambie la punta al cabo de 300 a 500 horas de uso.
- Desconecte el enchufe del cable de alimentación del producto de la toma de corriente.

1. Libere el portacápsulas del brazo fonocaptor.
  - Sujete el brazo fonocaptor firmemente y retire el portacápsulas con cuidado.
2. Retire el protector de la cápsula.
3. Retire la aguja tirando en la dirección de la flecha.



### Instalación de una aguja nueva

1. Instale la aguja de repuesto nueva en la cápsula.



Acople la presilla posterior en primer lugar.

2. Acople el protector a la cápsula.
3. Acople el portacápsulas al brazo fonocaptor.

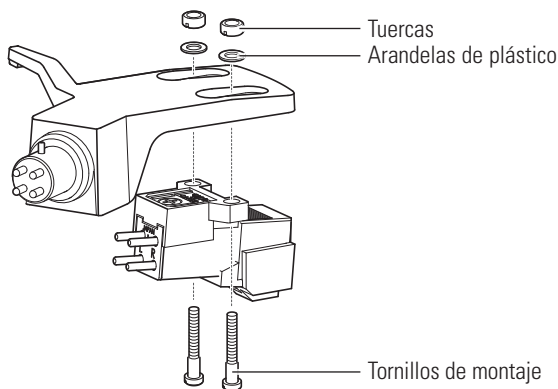


## Reposición de una cápsula

### Reposición de una cápsula nueva

Si va a sustituir la cápsula (AT91R) que venía con este producto por otra disponible en tiendas, consulte el manual del usuario de la cápsula que vaya a utilizar. Una vez sustituida la cápsula antigua por una nueva, debe reajustar la proyección así como el equilibrio y la fuerza de seguimiento del brazo fonocaptor.

1. **Libere el portacápsulas del brazo fonocaptor.**
  - Sujete el brazo fonocaptor firmemente y retire el portacápsulas con cuidado.
2. **Retire la aguja de la cápsula.**
  - Consulte "Retirada de la aguja" en la pág. 11.
3. **Retire los hilos conductores.**
  - Preste atención para no dañar los hilos conductores.
4. **Sirviéndose de un destornillador no metálico de pala común, extraiga los tornillos de montaje y, a continuación, retire la cápsula del portacápsulas.**
5. **Para obtener instrucciones de montaje, consulte el manual del usuario de la cápsula nueva.**

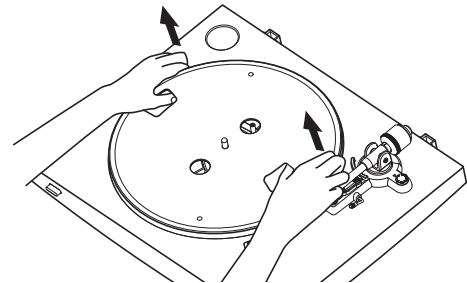


6. **Sirviéndose de un destornillador no metálico de pala común, apriete los tornillos en ambos puntos y, a continuación, ajuste la proyección.**
  - Consulte "Ajuste de la proyección" en la pág. 13.
  - Una vez realizados los ajustes, apriete los tornillos firmemente.
7. **Acople el portacápsulas al brazo fonocaptor.**
8. **Ajuste el equilibrio y la fuerza de seguimiento del brazo fonocaptor.**
  - Para efectuar los reajustes, consulte "Equilibrio y fuerza de seguimiento del brazo fonocaptor" en la pág. 7.

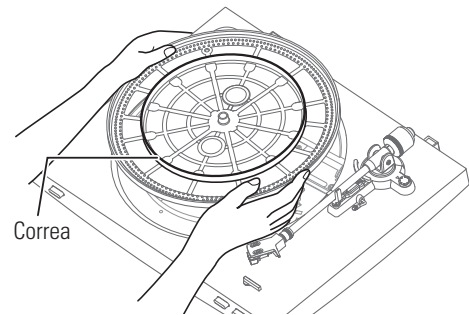
## Reposición de la correa

- La correa es un consumible. Cambie la correa si se ralentiza la velocidad de reproducción o se produce una rotación irregular. Por regla general, se recomienda cambiar la correa una vez al año.
- Antes de cambiar la correa, desconecte el enchufe del cable de alimentación del producto de la toma de corriente.

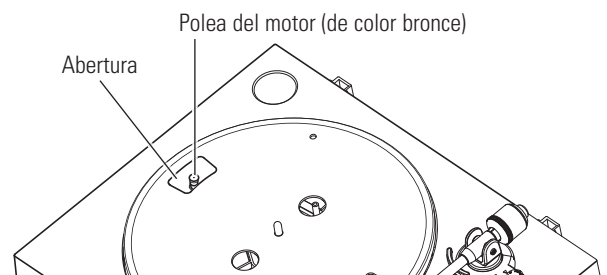
1. **Retire la alfombrilla de caucho.**
2. **Retire el plato, dele la vuelta y, a continuación, retire la correa antigua.**
  - Coloque los dedos pulgares en las aberturas y tire hacia arriba con fuerza.



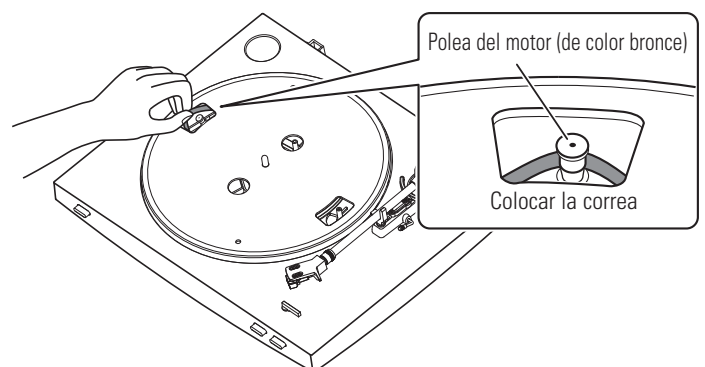
3. **Coloque la correa nueva alrededor del círculo interior.**
  - Procure no doblar la correa mientras realiza esta operación.



4. **Coloque el plato.**
  - Alinee una de las aberturas con la posición de la polea del motor (de color bronce).



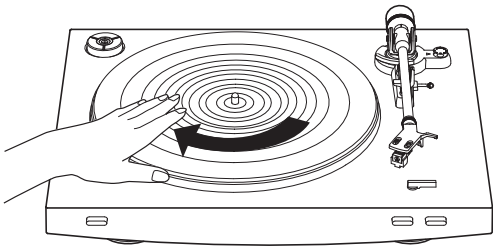
5. **Coloque la correa en la polea del motor (de color bronce).**
  - Agarre la correa que instaló en el paso 3 y, tirando de ella, colóquela en la polea del motor de color bronce.



## Reposición de la correa

### 6. Utilizando las manos, gire el plato diez veces.

- Levante la palanca de control del elevador del brazo fonocaptor para elevar el brazo fonocaptor. Con la mano gire lentamente el plato diez veces en la dirección de la flecha.



## Traslado del giradiscos

Utilizando el material de embalaje original del producto, envuelva el giradiscos en orden inverso al proceso de desembalaje. Si no dispone del material de embalaje, realice las siguientes acciones:

- Una vez desconectado el enchufe del cable de alimentación de la toma de corriente, retire la alfombrilla de caucho y el plato y luego envuelva ambos para evitar que sufran daños.
- Utilice una cuerda o similar para atar el brazo fonocaptor al soporte e inmovilizarlo.
- Retire el contrapeso.
- Retire el portacápsulas del brazo fonocaptor con el protector acoplado a la cápsula y, a continuación, envuelva el conjunto completo del portacápsulas para evitar que sufra daños.
- Envuelva el cuerpo del giradiscos en papel o en un paño suave para evitar que sufra daños.

## Ajuste de la proyección

La posición de la cápsula se debe determinar con precisión (ajuste de la proyección) al instalar una cápsula o un portacápsulas distinto del suministrado.

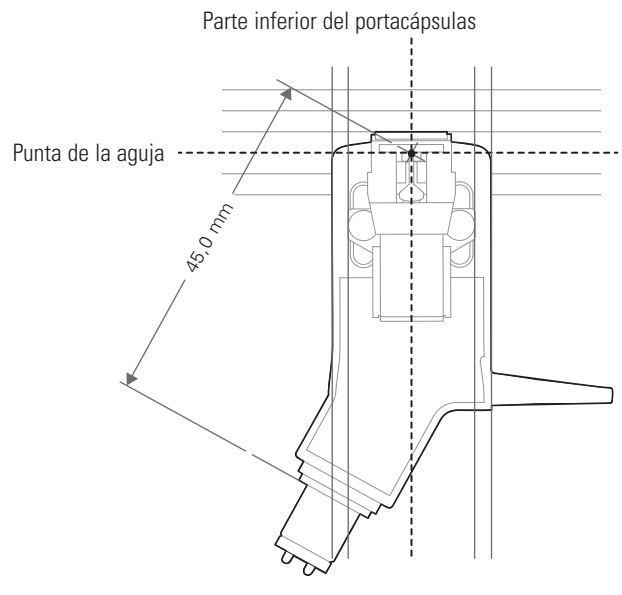
### 1. Instale la cápsula de forma que quede paralela al portacápsulas.

- Coloque la cápsula y el portacápsulas sobre la figura siguiente haciendo coincidir las posiciones, e instale la cápsula de modo que quede paralela al portacápsulas.

#### Guía de ajuste de la proyección

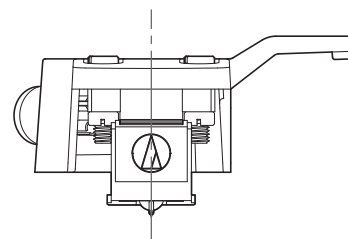
Esta ilustración es una representación a tamaño real.

Coloque el portacápsulas sobre la imagen siguiente y ajuste la punta de la aguja de la cápsula nueva a lo largo de las líneas correspondientes a la "Punta de la aguja" de la cápsula.



### 2. Instale la cápsula perpendicular a la parte superior del portacápsulas.

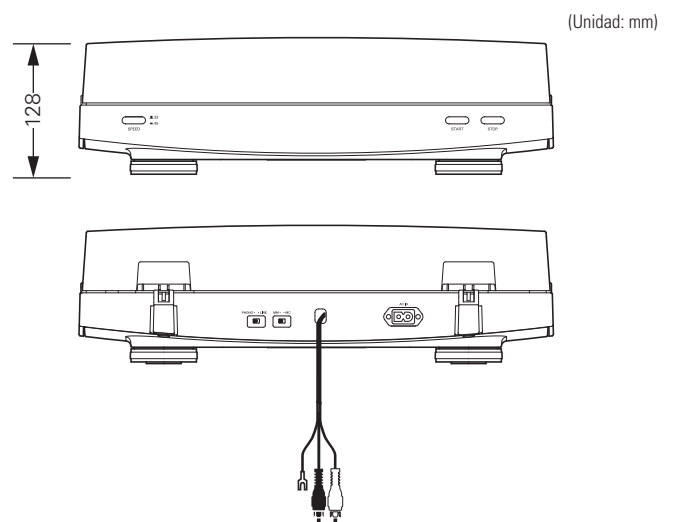
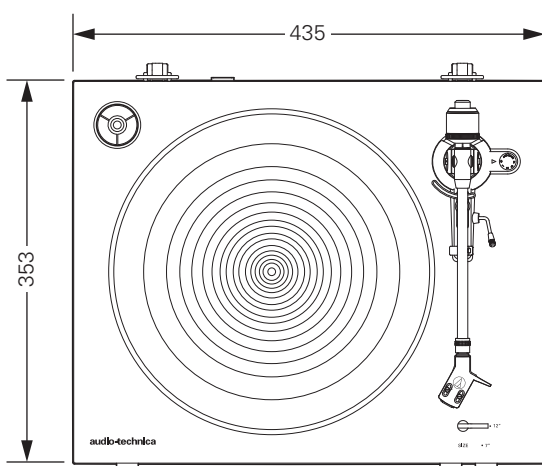
Parte frontal del portacápsulas



## Solución de problemas

Problema	Solución
El plato no gira.	<ul style="list-style-type: none"> <li>• ¿Está conectado el enchufe del cable de alimentación a la toma de corriente? Conecte el enchufe del cable de alimentación a la toma de corriente.</li> <li>• ¿Se ha soltado la correa del plato? Coloque la correa correctamente en el plato.</li> <li>• ¿Está colocada la correa en la polea del motor? Compruebe que la correa esté colocada correctamente en la polea del motor (de color bronce).</li> <li>• ¿Está dañada la correa? Cámbiela por una correa nueva.</li> </ul>
El plato gira, pero no hay sonido o el volumen no es lo suficientemente alto.	<ul style="list-style-type: none"> <li>• ¿Se han seleccionado correctamente los ajustes de función y la entrada para el equipo conectado (amplificador, etc.)? Compruebe si los ajustes para el equipo conectado son correctos.</li> <li>• ¿Está dañada la aguja? Compruebe la aguja y cámbiela si fuese necesario.</li> <li>• ¿Está la aguja correctamente colocada en el cuerpo de la cápsula? Compruebe la cápsula y realice los ajustes necesarios.</li> <li>• ¿Son correctas las posiciones de ajuste del interruptor selector de preamplificador? Compruebe que los ajustes de preamplificador son correctos, teniendo en cuenta los siguientes problemas habituales y sus causas:             <ul style="list-style-type: none"> <li>– Si no hay sonido, o si el volumen no es lo suficientemente alto, es que el producto está ajustado en la posición "PHONO" y conectado a la entrada AUX/LINE del amplificador.</li> <li>– Si el volumen es excesivamente alto o está distorsionado, es que el producto está ajustado en la posición "LINE" y el equipo conectable está conectado a la entrada PHONO.</li> </ul> </li> <li>• ¿Está la fuerza de seguimiento ajustada muy fuerte? Ajuste la fuerza de seguimiento.</li> </ul>
La aguja da saltos.	<ul style="list-style-type: none"> <li>• ¿Está la fuerza de seguimiento ajustada muy floja? Ajuste la fuerza de seguimiento.</li> <li>• ¿Está el "anti-skate", o compensación de la fuerza lateral, mal ajustado? Compruebe que está definido con el mismo valor que la fuerza de seguimiento de la cápsula.</li> <li>• ¿Está el disco deformado? Compruebe el disco.</li> <li>• ¿Está el disco arañado? Compruebe el disco.</li> </ul>
Se produce chillido.	<ul style="list-style-type: none"> <li>• ¿Está recogiendo el producto demasiadas vibraciones del suelo, paredes o altavoces cercanos? Reduzca las vibraciones o instale el producto en una superficie que no esté sometida a los efectos de las vibraciones.</li> <li>• ¿Está el producto instalado en una superficie inestable? Compruebe si la superficie donde se encuentra instalado el producto es inestable.</li> </ul>
Se produce ruido durante la reproducción del disco.	<ul style="list-style-type: none"> <li>• ¿Hay polvo en la punta de la aguja de la cápsula? Si hay polvo adherido a la punta de la aguja, límpielo con un cepillo común.</li> </ul>
El sonido durante la reproducción del disco es demasiado rápido o demasiado lento.	<ul style="list-style-type: none"> <li>• ¿Está la velocidad bien ajustada? Utilice el botón de velocidad del plato para seleccionar la velocidad correspondiente al tipo de disco que se esté reproduciendo.</li> </ul>
La velocidad de reproducción se ralentiza o la rotación es irregular.	<ul style="list-style-type: none"> <li>• ¿Está la correa floja? Cámbiela por una correa nueva.</li> </ul>
Se oye un zumbido durante la reproducción.	<ul style="list-style-type: none"> <li>• ¿Está la línea de toma de tierra conectada correctamente? Compruebe que la línea de toma de tierra está bien conectada.</li> <li>• ¿Está el portacápsulas acoplado firmemente al brazo fonocaptor? Compruebe que el anillo de bloqueo esté apretado.</li> </ul>

## Dimensiones



# Especificaciones

## Especificaciones del giradiscos

Tipo	Funcionamiento de 2 velocidades totalmente automático
Motor	Motor CC
Método de control	Transmisión por correa
Velocidades	33-1/3 rpm, 45 rpm
Plato del giradiscos	Aluminio fundido
Ululación y vibración	< 0,2 % WRMS (33 RPM) a 3 kHz
Relación señal/ruido	> 60 dB
Niveles de salida "PHONO" "LINE (MM)"	3,5 mV nominal a 1 kHz, 5 cm/seg 220 mV nominal a 1 kHz, 5 cm/seg
Ganancia del preamplificador fono (MM)	36 dB nominal, RIAA ecualizado
Ganancia del preamplificador fono (MC)	56 dB nominal, RIAA ecualizado

## Especificaciones del brazo fonocaptor

Tipo	Recto con equilibrio estático y control de amortiguación suave
Longitud efectiva	221,5 mm
Proyección	19 mm
Ángulo de error de seguimiento máximo	Menos de 3°
Rango de ajuste de presión de la aguja	De 1 a 4 g
Rango de peso aplicable a la cápsula (incluido el portacápsulas)	De 14,5 a 20 g

## Especificaciones de la cápsula y el portacápsulas

Modelo de cápsula	AT91R
Tipo de cápsula	Doble imán VM
Impedancia de carga recomendada	47.000 ohmios
Voltaje de salida	3,5 mV (mV a 1 kHz, 5 cm/seg)
Aguja	Cónica de 0,6 mil
Cantilever	Tubo de aluminio
Rango de fuerza de seguimiento	De 1,5 a 2,5 g (estándar 2,0 g)
Peso de la cápsula	5,0 g
Modelo de portacápsulas	AT-HS3
Peso del portacápsulas	11,1 g
Ajuste de la proyección del portacápsulas	8 mm

## Especificaciones generales

Requisitos de alimentación	120 V / 60 Hz
Consumo de energía	2 W
Dimensiones	435 mm×353 mm×128 mm (An×Fn×Al)
Peso	5,4 kg
Accesorios incluidos	Alfombra de caucho, cubierta antipolvo, plato (con correa de transmisión), contrapeso, portacápsulas (AT-HS3) con cápsula estéreo VM (AT91R), adaptador de 45 RPM, cable de alimentación
Aguja de repuesto (se vende por separado)	ATN91R
Portacápsulas de repuesto (se vende por separado)	AT-HS3
Correa de repuesto (se vende por separado)	Correa exclusiva AT-LP3

Especificaciones sujetas a cambio sin previo aviso debido a mejoras.



# Introdução

Obrigado por comprar este produto da Audio-Technica.

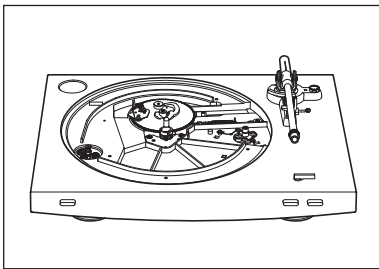
Leia este manual de usuário antes de usar o produto para assegurar um uso correto. Deve também guardar este manual, junto com a garantia, para referência futura.

Este produto destina-se apenas a ser usado nos seguintes países. Certifique-se que a tensão de funcionamento do produto é a correta para o país em que você vive. Lista de países: EUA, Canadá

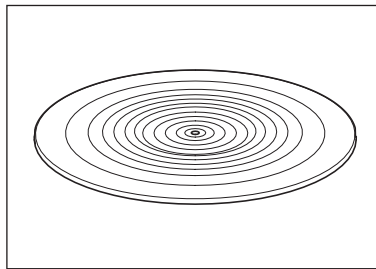
## Conteúdo do pacote

Certifique-se que você tenha todos os itens incluídos indicados abaixo antes de usar este produto.

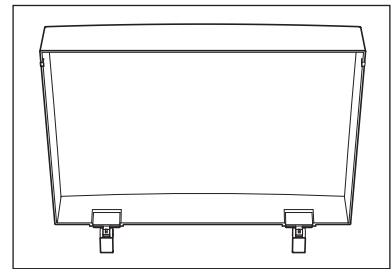
Se alguns itens estão faltando ou danificados, entre em contato com seu revendedor local da Audio-Technica.



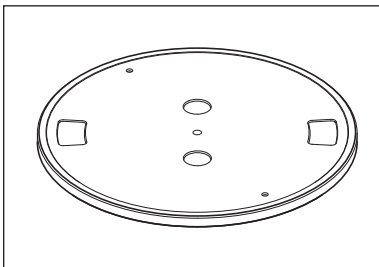
• Corpo do toca-discos



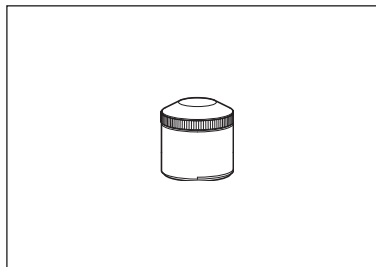
• Tapete de borracha



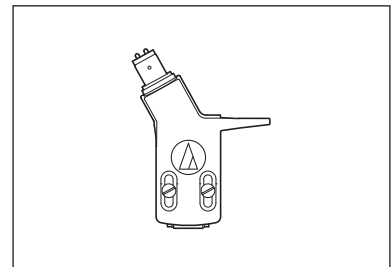
• Resguardo de pó



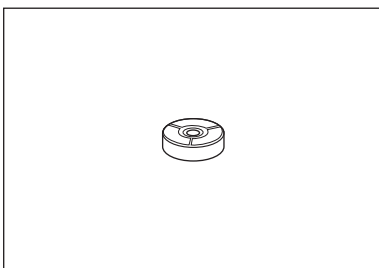
• Prato (com correia de transmissão)



• Contrapeso



• Headshell (AT-HS3) com cápsula estéreo VM (AT91R)



• Adaptador de 45 RPM

- Cabo de alimentação
- Manual de usuário (este manual)

Depois da compra, é aconselhável que você guarde todos os materiais da embalagem para armazenamento, transporte ou envio futuro.

# Precauções de segurança

## Informações importantes

### Advertência:

Para evitar o perigo de incêndio ou choque elétrico, não exponha a unidade a chuva ou humidade.

### Advertência:

Não exponha este aparelho a gotejamento ou salpicos.

Para evitar a ocorrência de um choque elétrico, não abra a caixa.

Todas as reparações devem ser realizadas por pessoal qualificado.

Não exponha este aparelho a calor excessivo, como luz solar, fogo, etc.

Não sujeite este aparelho a impactos fortes.

O aparelho deve estar suficientemente perto da tomada de CA, para que possa desligar facilmente a ficha do cabo de alimentação em qualquer altura.

Em caso de emergência, desligue rapidamente a ficha do cabo de alimentação do aparelho.

Não coloque objetos cheios de líquidos, como jarras, em cima do aparelho.

Para evitar o perigo de incêndio, não coloque nenhuma fonte de chama livre (p. ex., velas acesas) sobre o aparelho.

Não instale este aparelho num espaço reduzido, como uma estante ou algo semelhante.

Para instalar este aparelho, escolha um local bem ventilado.

## Instruções de segurança importantes

1. Leia estas instruções.
2. Guarde estas instruções.
3. Cumpra todas advertências.
4. Siga todas as instruções.
5. Não utilize este aparelho próximo da água.
6. Limpe apenas com um pano seco.
7. Não obstrua as aberturas de ventilação. Instale em conformidade com as instruções do fabricante.
8. Não instale próximo de fontes de calor como radiadores, saídas de ar quente, fornos ou outros aparelhos (incluindo amplificadores) que produzem calor.
9. Não descure o propósito de segurança da ficha polarizada ou de ligação à terra. Uma ficha polarizada tem duas lâminas, uma mais larga do que a outra. Uma ficha de ligação à terra tem duas lâminas e um terceiro perno de ligação à terra. A lâmina larga ou o terceiro perno é fornecido para sua segurança. Se a ficha fornecida não encaixar na tomada, consulte um electricista para a substituição da tomada obsoleta.
10. Proteja o cabo de alimentação contra pisadelas ou esmagamentos, particularmente nas fichas, tomadas e no ponto onde saem do aparelho.
11. Utilize apenas acessórios especificados pelo fabricante.
12. Utilize apenas com um carrinho, suporte, tripé ou mesa especificados pelo fabricante ou vendidos com o aparelho. Quando é utilizado um carrinho, tenha cuidado ao mover a combinação carrinho/aparelho para evitar ferimentos causados por viragem.
13. Desligue este aparelho durante tempestades ou quando não é utilizado durante longos períodos de tempo.
14. Delegue a assistência a funcionários qualificados. A assistência é necessária quando o aparelho tiver sido danificado, tal como cabo de alimentação ou ficha danificados, líquido derramado ou queda de objetos sobre o aparelho, tiver sido exposto à chuva ou humidade, não funcionar normalmente ou tiver caído.



## Para clientes nos EUA/Canadá



**ADVERTÊNCIA**  
**RISCO DE CHOQUES ELÉTRICOS**  
**NÃO ABRIR**



**Advertência:** Para evitar choques elétricos, não remova a tampa. Não existem peças reparáveis pelo utilizador no interior. As afinações internas apenas devem ser feitas por profissionais qualificados. Delegue a assistência a funcionários qualificados.



O relâmpago com um símbolo de seta dentro do triângulo equilátero destina-se a alertar o usuário da presença de "tensão perigosa" não isolada na caixa do produto que pode ter magnitude suficiente para constituir um risco de choques elétricos para pessoas.



O símbolo do ponto de exclamação no triângulo equilátero destina-se a alertar o usuário da presença de importantes instruções de utilização e manutenção (assistência) na documentação que acompanha o produto.

## Aviso do FCC

### Advertência:

Este aparelho está em conformidade com a parte 15 das normas da FCC. A sua operação está sujeita às seguintes condições: (1) Este aparelho não pode causar interferências prejudiciais, e (2) este aparelho deve aceitar quaisquer interferências recebidas, incluindo interferências que possam causar uma operação indesejável.

### Advertência:

Você é advertido que quaisquer alterações ou modificações não expressamente aprovadas neste manual podem anular sua autoridade para operar este equipamento.

Nota: Este equipamento foi testado e está em conformidade com os limites para um dispositivo digital Classe B, conforme a Parte 15 da FCC (Comissão Federal de Comunicações). Esses limites têm por objetivo fornecer proteção razoável contra interferência prejudicial em uma instalação residencial. Este equipamento gera, usa e pode irradiar energia de frequência de rádio e, se não for instalado e utilizado de acordo com as instruções, pode causar interferência prejudicial às comunicações de rádio. No entanto, não há garantias de que não ocorrerá interferência em uma instalação específica. Se este equipamento causar interferência prejudicial à recepção de rádio e televisão, que pode ser determinado ligando e desligando o equipamento, recomenda-se que o usuário tente corrigir a interferência adotando uma ou mais das seguintes medidas:

- Reorientar ou reposicionar a antena de recepção.
- Aumentar a distância entre o equipamento e o receptor.
- Conectar o equipamento a uma tomada em um circuito diferente daquele ao qual o receptor está conectado.
- Consultar o revendedor ou um técnico de rádio/TV experiente para obter ajuda.

### Declaração IC:

CAN ICES-3 (B)/NMB-3(B)

---

## Notas sobre a utilização

---

### Corpo do toca-discos

- Não coloque nem use o produto em locais que sejam muito quentes, húmidos ou sujos, ou onde fique exposto a vibrações fortes.
- O produto deve ser colocado sobre uma superfície plana e nivelada.

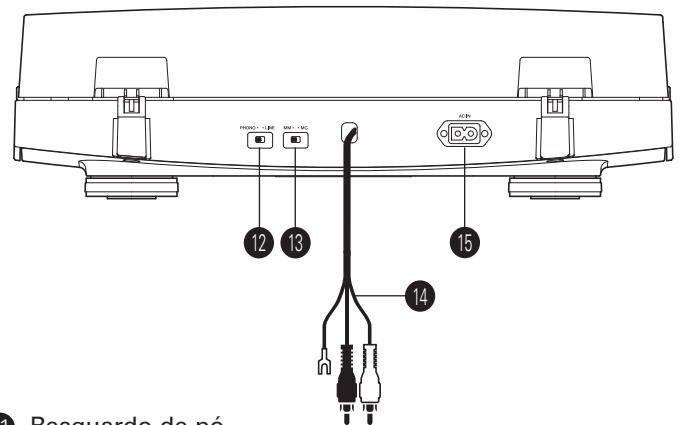
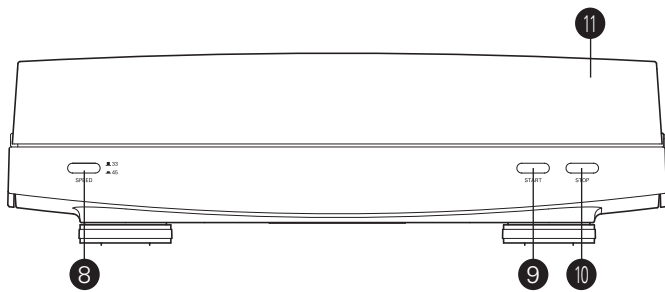
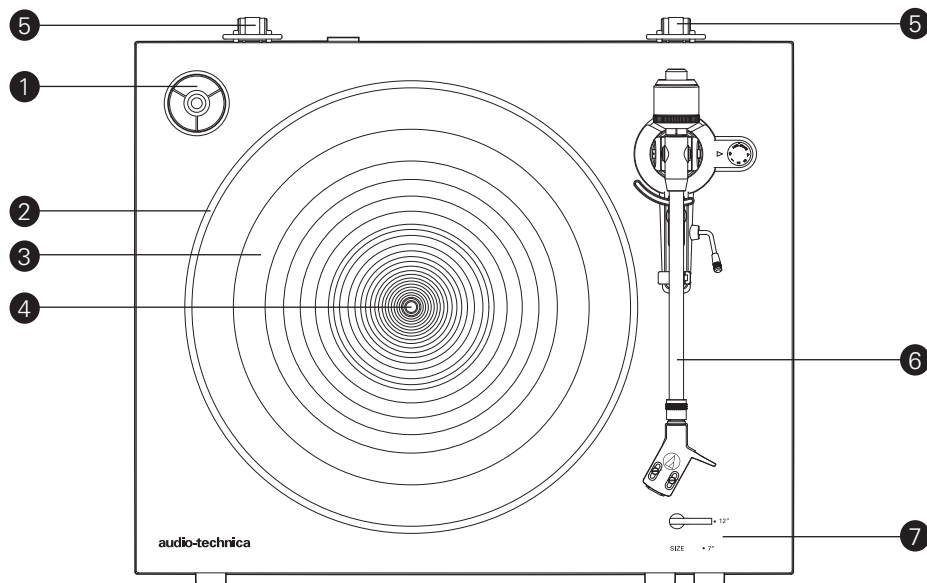
### Cápsula

- Instale o protetor fornecido na cápsula quando o produto não estiver sendo usado.
- Não toque na agulha da cápsula com seus dedos.
- Evite bater a agulha no prato do toca-discos, no tapete de borracha ou nos rebordos do disco.



# Nomes e funções das peças

## Diagrama geral



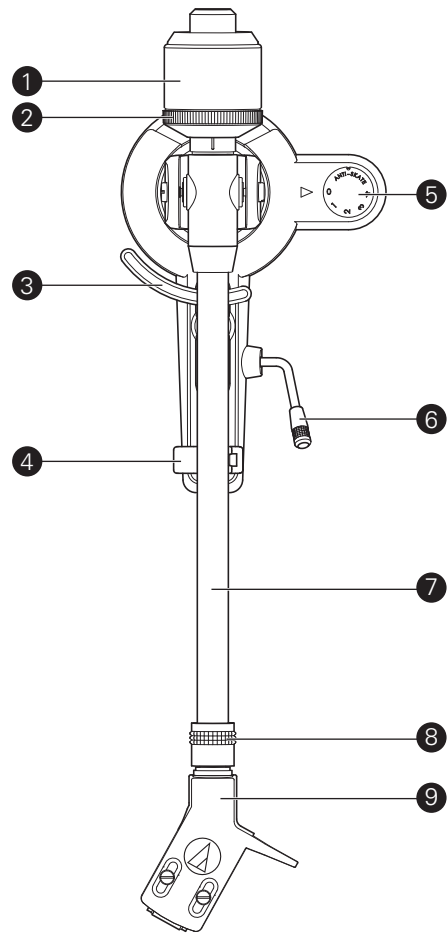
- 1** Adaptador de 45 RPM (mostrado no recipiente)  
Seleciona a velocidade do prato (33-1/3 ou 45 RPM).
- 2** Prato
- 3** Tapete de borracha
- 4** Eixo
- 5** Suportes das dobradiças do resguardo de pó  
Pontos de fixação para as dobradiças do resguardo de pó.
- 6** Conjunto do braço  
Para ver detalhes, consulte "Braço reproduzidor" na pág. 5.
- 7** Seletor de tamanho  
Alterna entre 12" e 7", de acordo com o tamanho do disco.
- 8** Botão de seleção da velocidade do prato  
Seleciona a velocidade do prato (33-1/3 ou 45 RPM).
- 9** Botão START (INICIAR)  
Roda o prato e move o braço.
- 10** Botão STOP (PARAR)  
Coloca o braço em sua posição original e para o disco.

- 11** Resguardo de pó
- 12** Interruptor do seletor do pré-amplificador  
Se estiver usando um amplificador com conector de entrada PHONO, coloque este interruptor na posição PHONO. Se estiver ligado ao conector AUX de um amplificador, coloque este interruptor na posição LINE.
- 13** Interruptor do seletor da cápsula MM (VM)/MC  
Se estiver usando uma cápsula MM (VM), coloque este interruptor na posição MM. Se estiver usando uma cápsula MC, coloque este interruptor na posição MC.
- 14** Cabo de áudio RCA (com fio de aterramento)  
Conecte ao conector de entrada PHONO (ligando o fio de aterramento ao terminal de aterramento, se disponível) ou ao conector de entrada AUX (LINE) do equipamento conectável.
- 15** Entrada CA  
Conecte aqui o cabo de alimentação.

# Nomes e funções das peças

## Braço reproduzidor

- 1 Contrapeso**  
Equilibra o braço e ajusta a força de rastreamento para um valor adequado.
- 2 Anel de ajuste da força de rastreamento**  
Use para ajustar a força de rastreamento.
- 3 Elevação do braço**  
Move o braço verticalmente de e para a face do disco.
- 4 Suporte do braço**
- 5 Ajuste da força anti-patinagem**  
Quando um disco está sendo reproduzido, uma força age sobre a ponta da agulha puxando-a para dentro. Esta força pode ser compensada ajustando os mesmos valores para a força anti-patinagem e força de rastreamento.
- 6 Alavanca de controle da elevação do braço**  
Opera a elevação do braço.
- 7 Braço reproduzidor**
- 8 Anel de bloqueio**  
Rode o anel para a esquerda (sentido anti-horário) para fixar a headshell.  
Para remover a headshell, rode o anel para a direita.
- 9 Headshell e cápsula**  
A cápsula (AT91R) é montada na headshell (AT-HS3).



# Preparação para utilização

## Instalar o gira-discos

- Instale o produto sobre uma superfície nivelada.
- Para evitar os efeitos das vibrações e pressão acústica, não instale o produto junto de alto-falantes.
- O produto pode captar estática de rádio se for instalado junto de um rádio. Por isso, tente manter o produto afastado de rádios.
- O produto poderá captar ruídos se estiver perto de equipamentos (telefones celulares, etc.) que emitam ondas de rádio intensas.

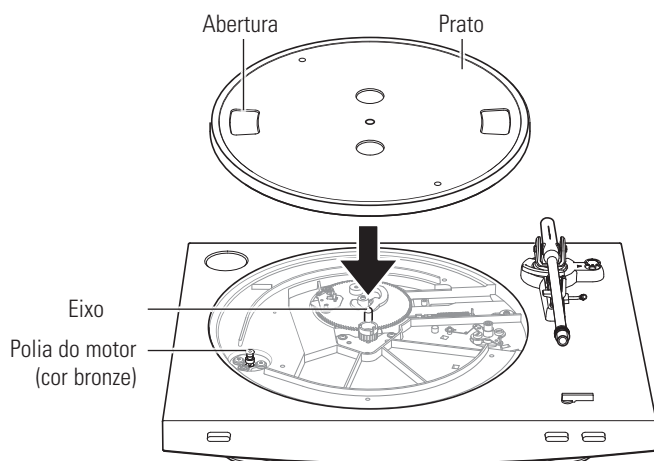
## Colocação do prato e do tapete de borracha

Este produto necessita de alguma montagem antes de ser usado pela primeira vez.

Não ligue o cabo de alimentação CA até a montagem estar concluída.

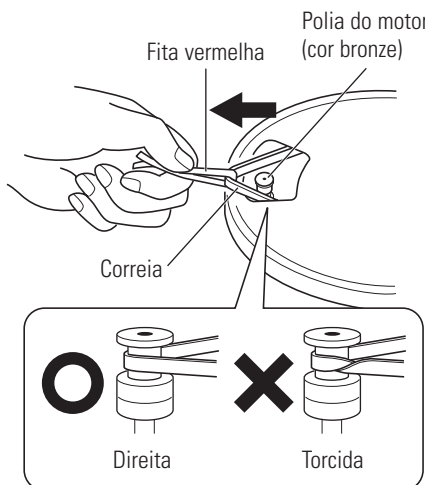
### 1. Instale o prato no eixo.

- Certifique-se de que o prato está bem encaixado no eixo.

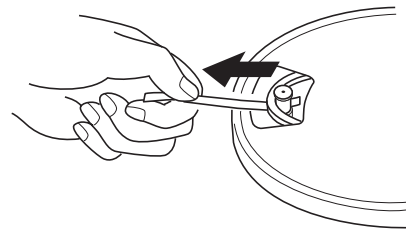


### 2. Instale a correia do motor na polia (cor bronze).

- Alinhe uma das aberturas do prato com a polia cor bronze do motor e, enquanto puxa ambas as extremidades da fita vermelha fixa à correia, coloque a correia na polia do motor, como mostrado no diagrama. Ao fazer isto, tenha cuidado para não torcer a correia.

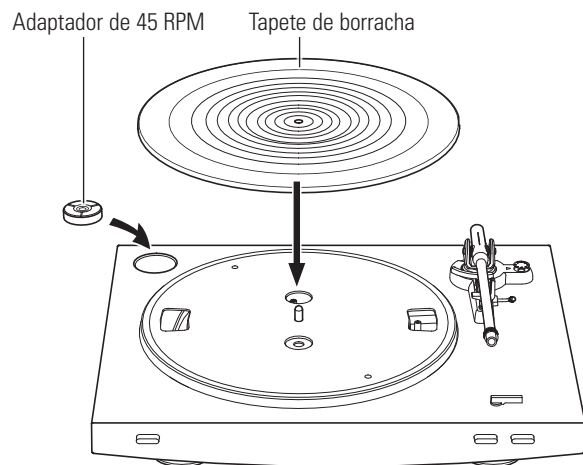


### 3. Remova a fita vermelha da correia.



### 4. Coloque o tapete de borracha sobre o prato.

- Depois de colocar o tapete de borracha, coloque o adaptador de 45 RPM no local previsto na parte superior traseira.

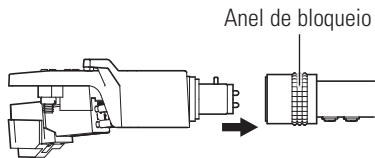


# Preparação para utilização

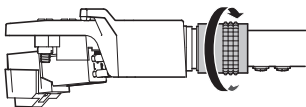
## Montar o braço

### 1. Insira a headshell no anel de bloqueio.

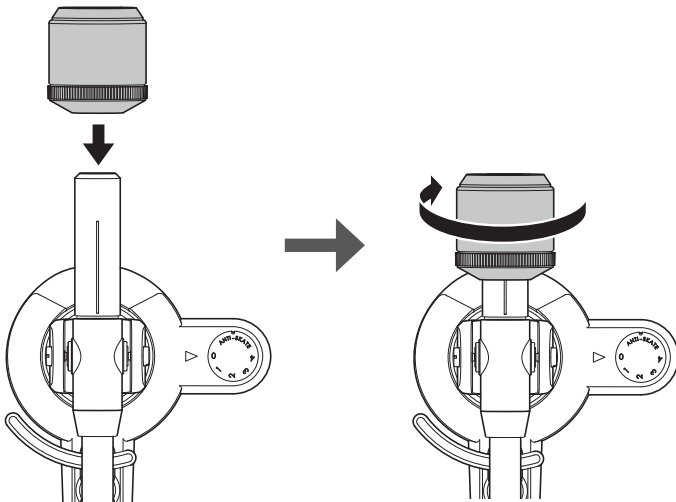
- Segure as bordas direita e esquerda da headshell para não danificar a agulha ou cortar os fios da cápsula.



### 2. Depois de inserir a headshell, rode o anel de bloqueio no sentido anti-horário (para a esquerda).



### 3. Com o anel de ajuste da força de rastreamento voltado para a frente, instale o contrapeso na parte traseira do braço e rode-o lentamente no sentido anti-horário (para a esquerda).



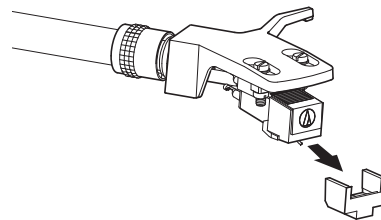
## Equilíbrio do braço e força de rastreamento

Para que a cápsula capte o som corretamente das ranhuras do disco, o equilíbrio do braço e a força de rastreamento têm de ser ajustadas de acordo com as especificações da cápsula. Se o equilíbrio do braço e a força de rastreamento não forem ajustados corretamente, o disco ou a agulha da cápsula podem sofrer danos.

- Não arraste a agulha da cápsula através do disco ou do tapete de borracha ao ajustar o equilíbrio do braço ou a força de rastreamento. Se o fizer, pode danificar a agulha.

## Ajustar o equilíbrio do braço

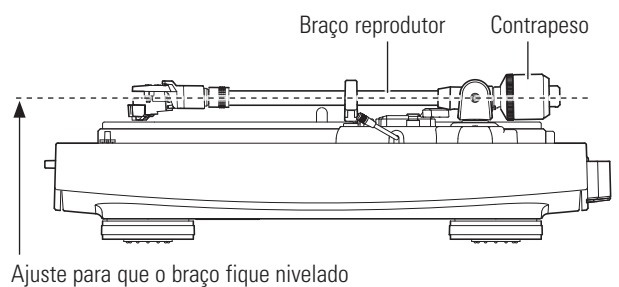
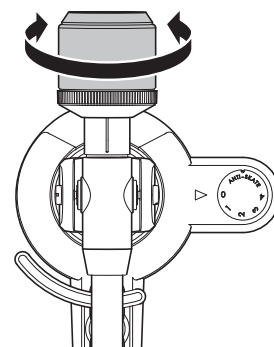
### 1. Remova o protetor da cápsula.



### 2. Enquanto pega na headshell, remova a abraçadeira para cabo usada para fixar o braço para expedição.

### 3. Enquanto segura com cuidado a headshell, rode o contrapeso para ajustar o equilíbrio do braço.

- Ajuste o equilíbrio de modo que o braço fique nivelado quando você libertar a headshell.

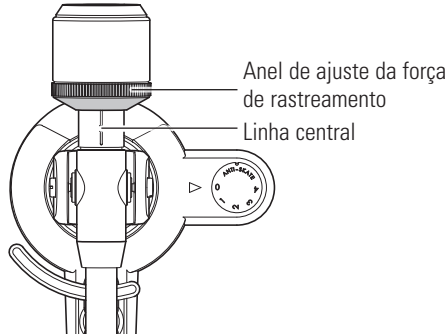


### 4. Volte a colocar o braço no suporte respectivo.

# Preparação para utilização

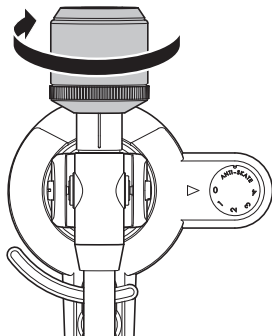
## Ajustar a força de rastreamento

1. Enquanto suporta o contrapeso para que não se mova, rode o anel de ajuste da força de rastreamento para que sua posição "0" fique alinhada com a linha central na parte traseira do braço (a força de rastreamento não é ajustada apenas rodando o anel de ajuste da força de rastreamento).



2. Rode o contrapeso e o anel de ajuste da força de rastreamento juntamente no sentido anti-horário até que o valor na linha central seja igual ao valor da força de rastreamento recomendada para a cápsula que você está usando.

- Consulte as especificações do fabricante da cápsula para ver o valor para a força de rastreamento recomendada.
- A força de rastreamento para a cápsula fornecida com este produto é de 2,0 g.

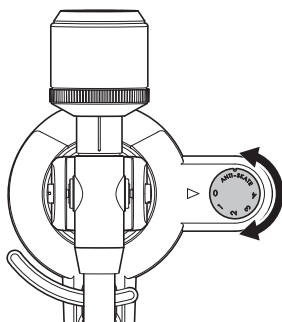


## Ajustar a força anti-patinagem

Quando um disco está sendo reproduzido, uma força age sobre a ponta da agulha puxando-a para dentro. Esta força pode ser compensada ajustando os mesmos valores para a força anti-patinagem e força de rastreamento.

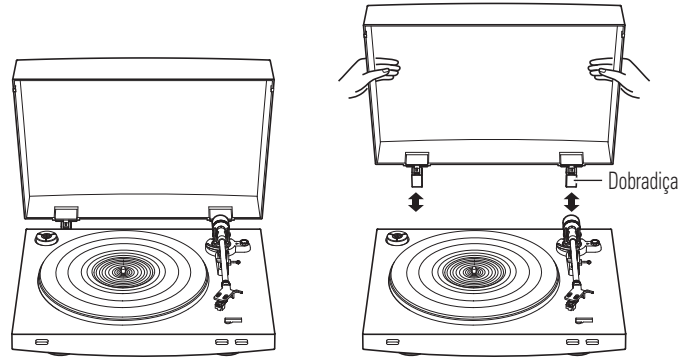
1. Ajuste a roda de controle da força anti-patinagem para o mesmo valor da força de rastreamento.

- A força de rastreamento para a cápsula fornecida com este produto é de 2,0 g.



## Instalar/remover o resguardo de pó

Para instalar o resguardo de pó, insira as dobradiças do resguardo de pó nos dois receptáculos para as dobradiças localizados na traseira do corpo. Para remover o resguardo de pó, puxe lentamente o resguardo de pó para fora dos receptáculos para as dobradiças.



## Ajustar o Interruptor do seletor da cápsula MM (VM)/MC

Se estiver usando uma cápsula de ímã móvel (MM ou VM), coloque este interruptor na posição MM. Se estiver usando uma cápsula de bobine móvel (MC), coloque este interruptor na posição MC.

- Este interruptor está colocado na posição MM no momento da compra. Esta é a posição correta para a cápsula estéreo AT91R VM incluída com o produto.

## Definir o interruptor seletor do pré-amplificador

Este produto tem uma função de equalizador de áudio incorporada. Você pode usar o produto, mesmo se você não tem um amplificador de áudio ou equipamento conectável com um amplificador de áudio incorporado. Use o interruptor do seletor do pré-amplificador para definir a saída, como mostrado abaixo.

Usando um equipamento conectável	Posição do interruptor seletor do pré-amplificador	Onde conectar o cabo de áudio RCA
Dispositivo com entrada de áudio	PHONO	Conector de entrada de áudio e terminal de aterramento do equipamento conectável
Dispositivo sem entrada de áudio	LINE	Conector AUX ou de linha do equipamento conectável
Placa de som para PC	LINE	Conector de entrada de linha da placa de som para PC <sup>*1</sup>

<sup>\*1</sup>Pode ser necessário um adaptador de áudio (vendido separadamente) para conectar o cabo de áudio RCA ao conector de entrada de linha da placa de som para PC.

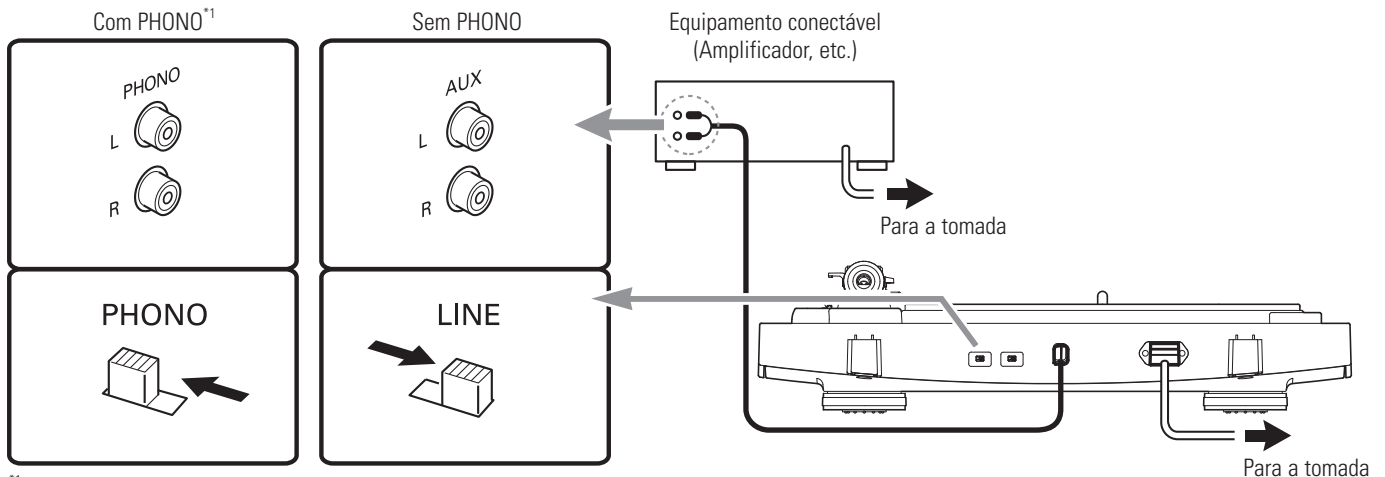
P  
T

# Preparação para utilização

## Conectar o dispositivo

Selecione a posição correta para o interruptor do seletor do pré-amplificador e conecte o cabo de áudio RCA a um conector de entrada que seja compatível com o equipamento conectável que você está usando (amplificador, receptor, alto-falantes ativos, placa de som, etc.).

- O conector vermelho do cabo de áudio RCA é para o canal direito (R), e o conector branco é para o canal esquerdo (L).

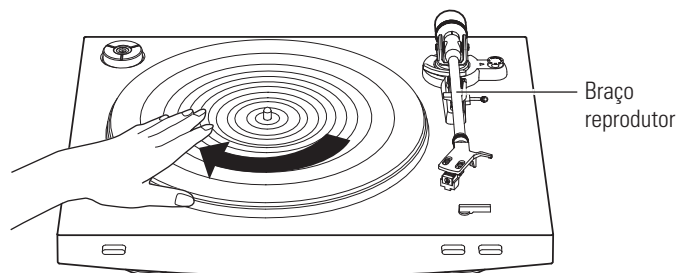


<sup>\*1</sup>Dependendo do equipamento conectável que você está usando, poderá existir um terminal de aterramento junto do conector de entrada de áudio. Se for o caso, ligue a esse terminal o fio de aterramento do cabo de áudio RCA. Isso irá ajudar a evitar um zumbido de baixa frequência que poderia ser ouvido durante a reprodução do disco.

## Rodar o prato

### 1. Usando suas mãos, rode o prato dez voltas.

- Levante a alavanca de controle do braço para levantar o braço. Rode lentamente o prato dez voltas usando a mão na direção da seta.
- É recomendável que você segurar o braço para evitar que se mova. Este passo destina-se realinhar o mecanismo automático, eliminando quaisquer torções da correia e assegurar que está bem encaixada na aba de acionamento na parte inferior do prato.

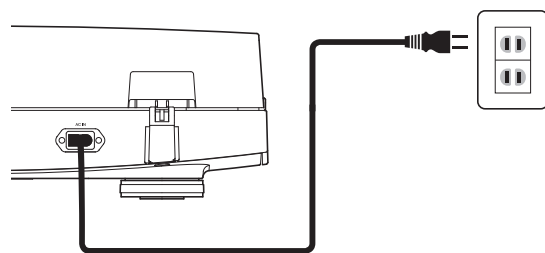


## Conectar o cabo de alimentação

Este produto não tem um interruptor de alimentação. Uma corrente de espera está sempre presente no produto, mesmo quando não está sendo usado; desconecte o ficha do cabo da tomada de corrente se você não vai usar o produto durante um longo período de tempo.

### 1. Conectar o cabo de alimentação na tomada de parede.

- Por segurança, levante o braço levantando a alavanca de controle de elevação do braço para a posição UP.
- Conecte o cabo de alimentação na tomada de parede sem remover o protetor da cápsula. Se o prato começar a rodar, pressione o botão STOP sem tocar no braço e aguarde que o braço volte à sua posição original.
- Se você tocar um disco imediatamente após inserir o cabo de alimentação, o som reproduzido pode estar distorcido. Aguarde um pouco (cerca de 30 segundos) depois de ligar a ficha do cabo de alimentação à tomada antes de tocar um disco.

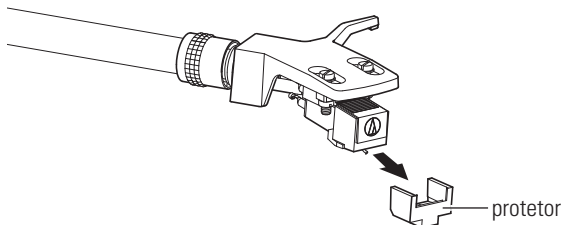


# Reproduzir um disco

## Antes de reproduzir um disco

### 1. Remova o protetor da cápsula.

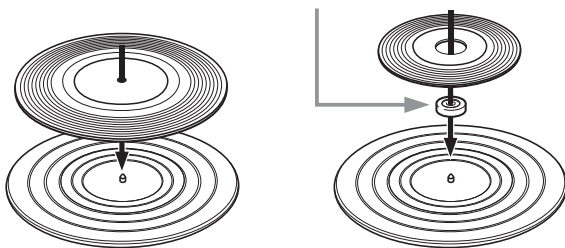
- Puxe o protetor diretamente para a frente para removê-lo.
- Se aplicar uma força descendente, a agulha pode soltar-se do corpo. Apenas obterá uma saída com volume baixo se a agulha tiver soltado, ou estiver quase se soltando; consulte "Substituir a agulha" na página 11 para ver como voltar a instalar a agulha.



### 2. Coloque um disco no tapete de borracha, alinhando o orifício central com o eixo.

- Se desejar ouvir um disco de 45 RPM com um orifício central grande, instale o adaptador de 45 RPM (ver o lado direito do diagrama abaixo).

Adaptador de 45 RPM

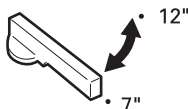


## Funcionamento automático

Baixe suficientemente o volume do amplificador, dos alto-falantes, etc.

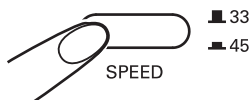
### 1. Selecione o tamanho do disco com o seletor de tamanho.

- Selecione "12"" para um disco LP com 12" de diâmetro e "7"" para um disco de 45 RPM com 7" de diâmetro.



### 2. Selecione a velocidade com o botão de seleção da velocidade do prato.

- Selecione "33" para um disco de 33-1/3 RPM e "45" para um disco de 45 RPM.



### 3. Pressione o botão START (INICIAR).

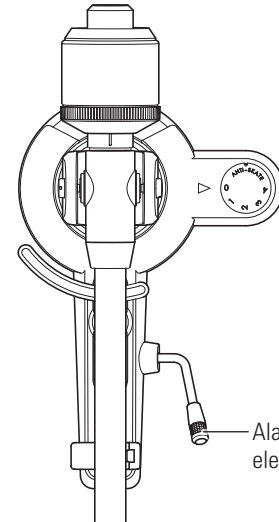
- Não dê batidas no produto enquanto o disco está sendo reproduzido.
- Não troque a seleção de tamanho do disco enquanto o disco está sendo reproduzido. Fazer uma dessas coisas pode causar mau funcionamento do produto.



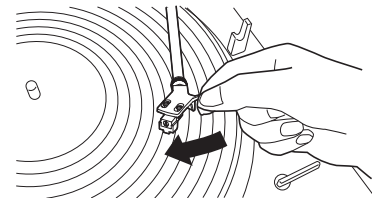
## Funcionamento manual

Baixe suficientemente o volume do amplificador, dos alto-falantes, etc.

### 1. Levante o braço elevando a alavanca de controle de elevação do braço para a posição UP.



### 2. Posicione o braço sobre o local pretendido (ranhura) no disco.



### 3. Baixe o braço movendo a alavanca de controle de elevação do braço para a posição DOWN. O braço desce lentamente para o disco e inicia a reprodução.

- Como método alternativo, você pode ignorar os passos 1 a 3, e usar o apoio para elevar com o dedo na headshell para posicionar o braço sobre o local pretendido no disco. Desça cuidadosamente o braço para a superfície do disco.
- Não deixe o produto exposto a impactos durante a reprodução.

## Fazer uma pausa na reprodução do disco

### 1. Depois de baixar o volume do amplificador, dos alto-falantes, etc. suficientemente, eleve o braço com a alavanca de controle de elevação do braço.

## Reproduzir um disco

### Parar o disco

Depois de ter ouvido o disco até ao fim, o braço volta automaticamente ao suporte para o braço.

Para parar o disco manualmente, faça o seguinte.

1. **Baixe suficientemente o volume do amplificador, dos alto-falantes, etc.**
2. **Pressione o botão STOP.**
  - Quando a reprodução do disco para, o braço volta automaticamente ao suporte para o braço.



3. **Remova o disco depois do prato ter parado totalmente.**

- Quando o braço chegar ao fim (centro) do disco, levanta-se automaticamente e volta ao suporte para o braço. Não interfira com este movimento. Se o fizer, pode causar mau funcionamento do produto. Se o braço não se levantar e voltar ao suporte para o braço, pressione o botão STOP para completar essa operação.
- Se o tapete de borracha estiver sujo, pode riscar o disco, pelo que deve remover o tapete de borracha periodicamente para limpar o pó.
- Para evitar que o disco sofra riscos e empenos, remova-o do prato depois de usado.
- Não use um estabilizador de discos.
- Não use nenhum outro prato que não seja o fornecido.
- Este produto não se destina a DJs. Não toque no disco nem no prato enquanto o disco está sendo reproduzido.

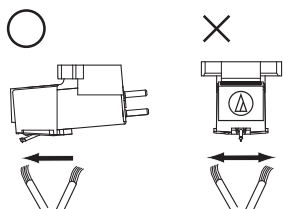
## Cuidado

### Corpo do toca-discos

- Se o corpo do toca-discos estiver sujo ou com poeira, desconecte primeiro o ficha do cabo de alimentação, e limpe a sujeira ou poeira com um pano macio e seco.
- Não use benzeno, solventes, etc.
- Quando armazenar o produto durante um período de tempo prolongado, desconecte a ficha de alimentação da tomada de corrente e embrulhe o equipamento em plástico para evitar que fique úmido.

### Ponta da agulha

- Se poeira ou resíduos aderirem à ponta da agulha, limpe-a com uma escova especial vendida no comércio.
- Recomendamos que você use um produto para limpar a agulha (vendido separadamente) se a ponta da agulha estiver muito suja. Limpe a ponta da agulha movendo a escova da traseira para a frente da ponta da agulha.

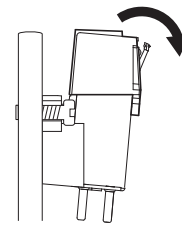


## Substituir a agulha

### Remover a agulha

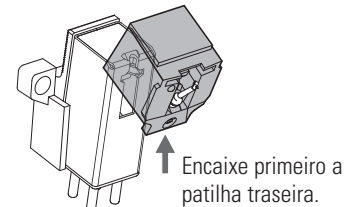
- Além da deterioração da qualidade do som, os discos também podem ser danificados à medida que a ponta da agulha da cápsula vai se desgastando.
- Como regra geral, substitua a agulha após 300 a 500 horas de uso.
- Certifique-se de desconectar a ficha do cabo de alimentação do produto da tomada de parede.

1. **Liberte a headshell do braço.**
  - Segure bem na headshell e remova a headshell com cuidado.
2. **Remova o protetor da cápsula.**
3. **Remova a agulha puxando na direção da seta.**



### Instalar uma nova agulha de substituição

1. **Instale a nova agulha de substituição na cápsula.**



2. **Instale o protetor na cápsula.**
3. **Instale a headshell no braço.**

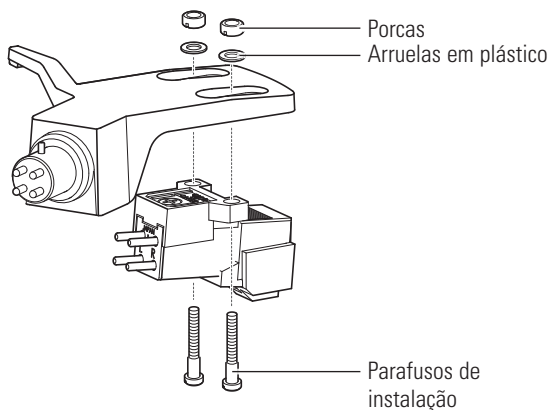


## Substituir uma cápsula

### Substituir por uma nova cápsula

Consulte o manual de usuário da cápsula que você vai usar, se vai substituir a cápsula (AT91R) incluída com este produto por outra cápsula vendida comercialmente. Depois de você ter substituído a cápsula antiga por uma nova, tem de reajustar a saliência, o equilíbrio e a força de rastreamento do braço.

1. **Liberte a headshell do braço.**
  - Segure bem na headshell e remova a headshell com cuidado.
2. **Remova a agulha da cápsula.**
  - Consulte "Remover a agulha" na página 11.
3. **Remova os fio de ligação.**
  - Tenha cuidado para não danificar os fios de ligação.
4. **Utilizando uma chave de fenda não metálica, vendida comercialmente, remova os parafusos de instalação e, em seguida, remova a cápsula da headshell.**
5. **Consulte o manual de usuário da nova cápsula para ver as instruções de montagem.**

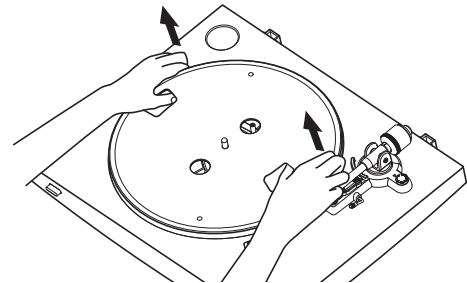


6. **Utilizando uma chave de fenda não metálica, vendida comercialmente, aperte os parafusos em ambos os locais e, em seguida, ajuste a saliência.**
  - Consulte "Ajustar a saliência" na página 13.
  - Depois de concluir os ajustamentos, aperte bem os parafusos.
7. **Fixe a headshell ao braço.**
8. **Ajuste o equilíbrio do braço e a força de rastreamento.**
  - Consulte "Equilíbrio do braço e força de rastreamento" na página 7 para fazer os ajustamentos.

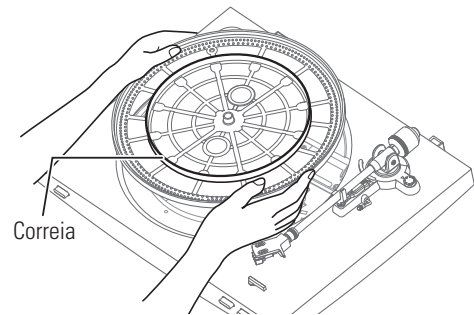
## Substituir a correia

- A correia é um consumível. Substitua a correia se a velocidade de reprodução diminuir ou se a rotação for irregular. Como regra geral, sugerimos que a corrente seja substituída todos os anos.
- Antes de substituir a correia, certifique-se de desconectar a ficha do cabo de alimentação do produto da tomada de parede.

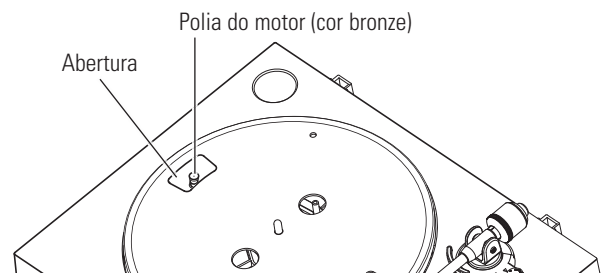
1. **Remova o tapete de borracha.**
2. **Remova o prato, vire o prato ao contrário e, em seguida, remova a correia antiga.**
  - Coloque os seus dedos nas aberturas e puxe com força.



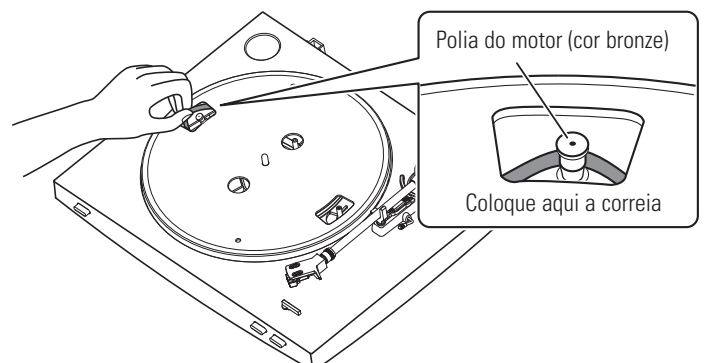
3. **Coloque a nova correia em redor do círculo interior.**
  - Tenha cuidado para não torcer a correia.



4. **Instale o prato.**
  - Alinhe uma das aberturas com a posição da polia do motor (cor bronze).



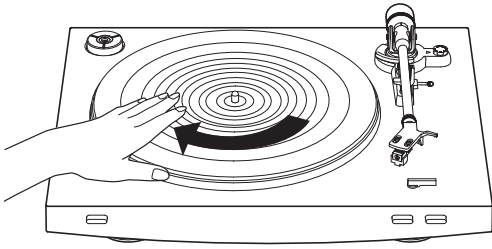
5. **Instale a correia do motor na polia (cor bronze).**
  - Agarre na correia que instalou no passo 3 e, enquanto a puxa, coloque-a na polia do motor.



## Substituir a correia

### 6. Usando suas mãos, rode o prato dez voltas.

- Levante a alavanca de controle do braço para levantar o braço. Rode lentamente o prato dez voltas usando a mão na direção da seta.



## Para deslocar o toca-discos

Usando os materiais de embalagem originais do produto, embrulhe o toca-discos pela ordem inversa de quando o desembalou. Se já não tiver os materiais de embalagem, tome as seguintes medidas:

- Depois de desconectar a ficha do cabo de alimentação da tomada de parede, remova o tapete de borracha e o prato, e embrulhe-os de modo que não sofram danos.
- Use um fio ou alguma coisa semelhante para fixar o braço ao conjunto para que não se mova.
- Remova o contrapeso.
- Remova a headshell do braço com o protetor fixo à cápsula, e embrulhe todo o conjunto da headshell de modo que não sofra danos.
- Embrulhe o corpo do toca-discos com papel ou um pano macio de modo a que não sofra danos.

## Ajustar a saliência

A posição da cápsula deve ser determinada com precisão (ajustando a saliência) ao instalar uma cápsula ou headshell diferente da fornecida.

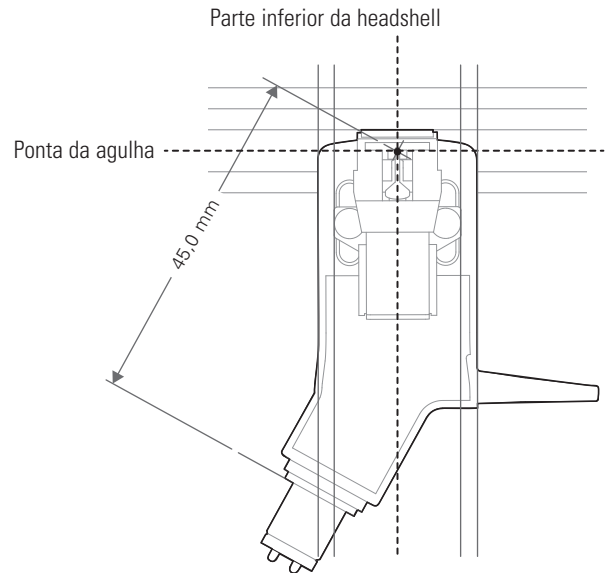
### 1. Instale a cápsula de modo que fique paralela à headshell.

- Faça coincidir as posições da cápsula e da headshell com a figura abaixo e instale a cápsula de modo que fique paralela à headshell.

#### Guia para ajuste da parte saliente

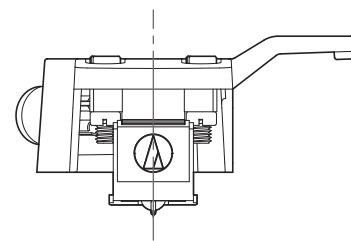
Esta ilustração representa o tamanho real.

Coloque a headshell sobre a figura abaixo e, em seguida, ajuste a ponta da agulha da nova cápsula ao longo das linhas para a "ponta da agulha" na cápsula.



### 2. Instale a cápsula de modo que fique perpendicular à parte superior da headshell.

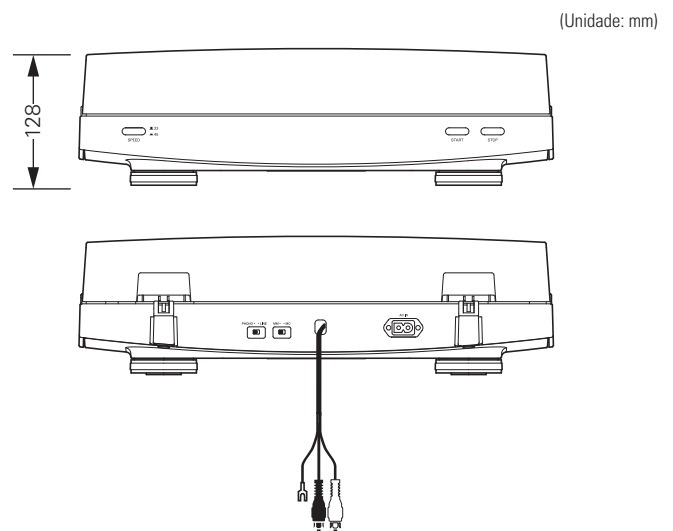
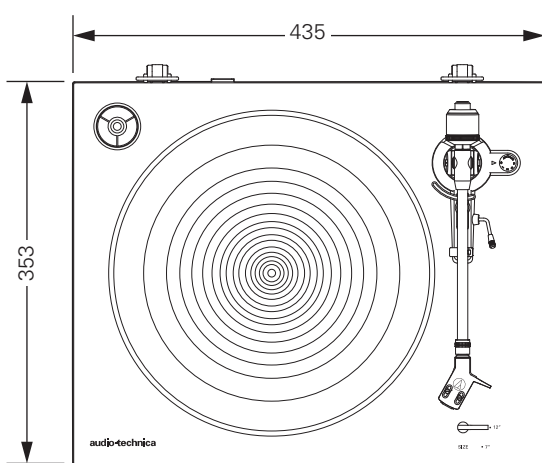
Frente da headshell



## Resolução de problemas

Problema	Solução
O prato não roda.	<ul style="list-style-type: none"> <li>• A ficha do cabo de alimentação está conectada na tomada de parede? Conecte o cabo de alimentação na tomada de parede.</li> <li>• A correia deslizou para fora do prato? Instale a correia corretamente no prato.</li> <li>• A correia está colocada na polia do motor? Verifique se a correia está corretamente colocada na polia do motor (cor bronze).</li> <li>• A correia está danificada? Substitua por uma correia nova.</li> </ul>
O prato roda, mas não há som ou o volume não é alto o suficiente.	<ul style="list-style-type: none"> <li>• As definições das funções e entrada para o equipamento conectado (amplificador, etc.) estão selecionadas corretamente? Verifique se as definições para o equipamento conectado estão corretas.</li> <li>• A agulha está danificada? Verifique a agulha e, se necessário, substitua.</li> <li>• A agulha está corretamente colocada no corpo da cápsula? Verifique a cápsula e, se necessário, substitua.</li> <li>• As definições do seletor do pré-amplificador estão corretamente selecionadas? Verifique se as definições do pré-amplificador estão corretas, tendo em conta os seguintes problemas correntes e suas causas: <ul style="list-style-type: none"> <li>– Se não há som, ou se o volume não é alto o suficiente, o produto está definido para a posição "PHONO" e ligado à entrada AUX/LINE do amplificador.</li> <li>– Se o volume é demasiado alto ou distorcido, o produto está definido para a posição "LINE" e o equipamento conectável está conectado à entrada PHONO.</li> </ul> </li> <li>• A força de rastreamento é demasiado pesada? Ajuste a força de rastreamento.</li> </ul>
A agulha salta.	<ul style="list-style-type: none"> <li>• A força de rastreamento é demasiado leve? Ajuste a força de rastreamento.</li> <li>• A anti-patinagem está mal ajustada? Certifique-se de que anti-skate está definido para o mesmo valor que a força de tração da cabeça.</li> <li>• O disco está empenado? Verifique o disco.</li> <li>• O disco está riscado? Verifique o disco.</li> </ul>
Ouvem-se uivos.	<ul style="list-style-type: none"> <li>• O produto está captando vibrações excessivas do chão, paredes ou alto-falantes por perto? Reduza as vibrações ou instale o produto em uma superfície que não esteja sujeita a vibrações.</li> <li>• O produto está instalado em uma superfície instável? Verifique se a superfície na qual o produto está instalado é adequada.</li> </ul>
Ouve-se ruído quando o disco está sendo reproduzido.	<ul style="list-style-type: none"> <li>• Há poeira na ponta da agulha da cápsula? Se poeira aderiu à ponta da agulha, limpe com uma escova especial vendida no comércio.</li> </ul>
Quando o disco está sendo reproduzido, o som é muito rápido ou muito lento.	<ul style="list-style-type: none"> <li>• A velocidade selecionada está correta? Use o botão de seleção da velocidade do prato para selecionar a velocidade correta para o tipo de disco que está sendo reproduzido.</li> </ul>
A velocidade de rotação do disco diminui ou a rotação é irregular.	<ul style="list-style-type: none"> <li>• A correia está muito folgada? Substitua por uma correia nova.</li> </ul>
É ouvido um zumbido durante a reprodução do disco.	<ul style="list-style-type: none"> <li>• O fio de aterramento está bem conectado? Certifique-se de que o fio de aterramento está bem conectado.</li> <li>• A headshell está bem fixa ao braço? Certifique-se de que o anel de bloqueio está bem apertado.</li> </ul>

## Dimensões



(Unidade: mm)

## Especificações

### Especificações do toca-discos

Tipo	Funcionamento totalmente automático, com 2 velocidades
Motor	Motor CC
Método de tração	Correia de transmissão
Velocidades	33-1/3 RPM, 45 RPM
Prato do toca-discos	Alumínio fundido
Wow e flutter	< 0,2 % WRMS (33 RPM) a 3 kHz
Relação sinal/ruído	> 60 dB
Níveis de saída "PHONO" "LINE (MM)"	3,5 mV nominal a 1 kHz, 5 cm/s 220 mV nominal a 1 kHz, 5 cm/s
Ganho do pré-amp. phono (MM) Ganho do pré-amp. phono (MC)	36 dB nominal, RIAA equalizado 56 dB nominal, RIAA equalizado

### Especificações do braço

Tipo	Direito com equilíbrio estático com controle de amortecimento
Comprimento efetivo	221,5 mm
Parte saliente	19 mm
Ângulo máximo de erro de rastreamento	Inferior a 3°
Intervalo de ajuste da pressão da agulha	1 a 4 g
Intervalo de peso da cabeça aplicável (incluindo a headshell)	14,5 a 20 g

### Especificações da headshell e da cápsula

Modelo da cápsula	AT91R
Tipo de cápsula	Duplo imã VM
Impedância de carga recomendada	47.000 Ohms
Tensão de saída	3,5 mV (mV a 1 kHz, 5 cm/s)
Agulha	Cônica de 0,6 mil
Cantilever	Tubo de alumínio
Intervalo de ajuste da força de rastreamento	1,5 a 2,5 g (padrão 2,0 g)
Peso da cápsula	5,0 g
Modelo da headshell	AT-HS3
Peso da headshell	11,1 g
Ajuste da saliência da headshell	8 mm

### Especificações gerais

Requisitos da fonte de alimentação	120 V / 60 Hz
Consumo de energia	2 W
Dimensões	435 mm × 353 mm × 128 mm (LxPxA)
Peso	5,4 kg
Acessórios incluídos	Tapete de borracha, Resguardo de pó, Prato (com correia de transmissão), Contrapeso, Headshell (AT-HS3) com cápsula estéreo VM (AT91R), Adaptador de 45 RPM, Cabo de alimentação
Agulha de substituição (vendida separadamente)	ATN91R
Headshell de substituição (vendida separadamente)	AT-HS3
Correia de substituição (vendida separadamente)	Correia exclusiva para o AT-LP3

As especificações estão sujeitas a alteração sem aviso prévio devido a aprimoramentos.

Visit our Web Site: [www.audio-technica.com](http://www.audio-technica.com)

#### One-Year Limited Warranty

Audio-Technica brand products purchased in the U.S.A. are warranted for one year from date of purchase by Audio-Technica U.S., Inc. (A.T.U.S.) to be free of defects in materials and workmanship. In event of such defect, product will be repaired promptly without charge or, at our option, replaced with a new product of equal or superior value if delivered to A.T.U.S. or an Authorized Service Center, prepaid, together with the sales slip or other proof of purchase date. **Prior approval from A.T.U.S. is required for return.** This warranty excludes defects due to normal wear, abuse, shipping damage, or failure to use product in accordance with instructions. This warranty is void in the event of unauthorized repair or modification, or removal or defacing of the product labeling.

**For return approval and shipping information**, contact the Service Dept., Audio-Technica U.S., Inc., 1221 Commerce Drive, Stow, Ohio 44224.

Except to the extent precluded by applicable state law, **A.T.U.S. will have no liability for any consequential, incidental, or special damages; any warranty of merchantability or fitness for particular purpose expires when this warranty expires.**

This warranty gives you specific legal rights, and you may have other rights which vary from state to state.

Outside the U.S.A., please contact your local dealer for warranty details.

Visitez notre site web : [www.audio-technica.com](http://www.audio-technica.com)

#### Garantie limitée de 1 an

Les produits de la marque Audio-Technica achetés aux États-Unis sont garantis pendant un an à compter de la date d'achat contre tout défaut de matériau et de fabrication par Audio-Technica U.S., Inc. (A.T.U.S.). Dans l'éventualité d'un tel défaut, le produit sera soit réparé gratuitement et dans les plus brefs délais, soit remplacé à notre convenance par un nouveau produit d'une valeur égale ou supérieure. Le produit doit être retourné en port payé à A.T.U.S. ou à un centre agréé de service après-vente avec un ticket de caisse ou autre preuve de la date d'achat. **Le renvoi ne peut avoir lieu sans l'accord préalable de A.T.U.S.** Cette garantie exclut les défauts liés à une usure normale, à un usage abusif, à tout incident survenu lors du transport ou à une utilisation non conforme au mode d'emploi. Cette garantie n'est pas valable en cas de réparation ou de modification effectuée par un personnel non agréé ou dans le cas où la marque du produit aurait été enlevée ou abîmée.

**Pour obtenir notre accord pour le retour et pour tout renseignement concernant le transport**, veuillez prendre contact avec le département de service après-vente, Audio-Technica U.S., Inc., 1221 Commerce Drive, Stow, Ohio 44224.

**A.T.U.S. ne sera pas tenu responsable des dommages indirects, accessoires ou spéciaux** à moins que la loi applicable de l'État n'en dispose autrement ; **lorsque cette garantie expire, toute garantie de valeur marchande ou d'aptitude à un usage particulier expire.**

Cette garantie vous confère des droits spécifiques ; il se peut par ailleurs que vous ayez d'autres droits qui varient d'un État à l'autre.

En dehors des États-Unis, veuillez prendre contact avec votre revendeur local pour plus de détails concernant la garantie.

Visite nuestro sitio Web: [www.audio-technica.com](http://www.audio-technica.com)

#### Garantía limitada de un año

Audio-Technica U.S., Inc. (A.T.U.S.) ofrece una garantía de un año desde la fecha de compra en lo que se refiere a materiales y fabricación para todos los productos de la marca Audio-Technica adquiridos en Estados Unidos. En caso de que tenga algún defecto, el producto será reparado inmediatamente sin cargo alguno o, según nuestro criterio, reemplazado por uno nuevo de valor igual o superior, si se envía a A.T.U.S. o a un Centro de Servicio autorizado, franqueado y junto con el recibo de compra u otro comprobante de la fecha de compra. **Toda devolución requiere la autorización previa de A.T.U.S.** Esta garantía excluye defectos debidos al uso diario, al uso inapropiado, al transporte o a otros problemas que se produzcan por no utilizar el producto según las instrucciones. Esta garantía no será válida en caso de reparaciones o modificaciones no autorizadas o si se ha retirado la identificación del producto.

**Para aprobación de devoluciones e información de envío**, póngase en contacto con el Departamento de Servicio de Audio-Technica U.S., Inc., 1221 Commerce Drive, Stow, Ohio 44224 (EE. UU.).

En la medida en que lo permita la ley aplicable del estado, **A.T.U.S. renuncia a toda responsabilidad por los daños especiales, incidentales, consecuentes o indirectos comoquiera que se produzcan; toda garantía de comerciabilidad e idoneidad para un n determinado caduca al hacerlo esta garantía.**

Esta garantía le otorga a usted derechos legales específicos y puede tener otros derechos que varían de un estado a otro.

Fuera de Estados Unidos, póngase en contacto con su distribuidor local para conocer los detalles de la garantía.

---

Visite o nosso website: [www.audio-technica.com](http://www.audio-technica.com)

---

**Garantia limitada de um ano**

Produtos da marca Audio-Technica adquiridos nos EUA são garantidos por um ano a partir da compra pela Audio-Technica U.S., Inc. (A.T.U.S.) como livres de defeitos de materiais e mão de obra. No caso de tais defeitos, o produto será reparado imediatamente, sem despesas, ou segundo a nossa opção, substituído por um produto novo de valor igual ou superior se entregue para a A.T.U.S. ou para um Centro de Serviço Autorizado, pré-pago, juntamente com o recibo de venda ou outro comprovante com a data da compra. **Antes, a aprovação da A.T.U.S. é exigida para devolução.** Essa garantia exclui defeitos devido ao desgaste normal, abuso, danos devido ao transporte ou falha em usar o produto de acordo com as instruções. Essa garantia será anulada no caso de reparo ou modificação não autorizados ou remoção ou deformação do rótulo do produto.

**Para aprovação de devolução e informações de envio,** entre em contato com o Departamento de Serviço, Audio-Technica U.S., Inc., 1221 Commerce Drive, Stow, Ohio 44224.

Exceto até onde impedido pela lei estadual aplicável, **a A.T.U.S. não terá responsabilidade por nenhum dano consequencial, incidental ou especial; qualquer garantia de comercialização ou aptidão para um propósito em particular expirará quando esta garantia expirar.**

Esta garantia oferece a você direitos legais específicos e você poderá ter outros direitos que variam de estado para estado.

Fora dos EUA, favor entrar em contato com o seu revendedor local para os detalhes da garantia.



